



Chipsmall Limited consists of a professional team with an average of over 10 year of expertise in the distribution of electronic components. Based in Hongkong, we have already established firm and mutual-benefit business relationships with customers from,Europe,America and south Asia,supplying obsolete and hard-to-find components to meet their specific needs.

With the principle of “Quality Parts,Customers Priority,Honest Operation,and Considerate Service”,our business mainly focus on the distribution of electronic components. Line cards we deal with include Microchip,ALPS,ROHM,Xilinx,Pulse,ON,Everlight and Freescale. Main products comprise IC,Modules,Potentiometer,IC Socket,Relay,Connector.Our parts cover such applications as commercial,industrial, and automotives areas.

We are looking forward to setting up business relationship with you and hope to provide you with the best service and solution. Let us make a better world for our industry!



Contact us

Tel: +86-755-8981 8866 Fax: +86-755-8427 6832

Email & Skype: info@chipsmall.com Web: www.chipsmall.com

Address: A1208, Overseas Decoration Building, #122 Zhenhua RD., Futian, Shenzhen, China



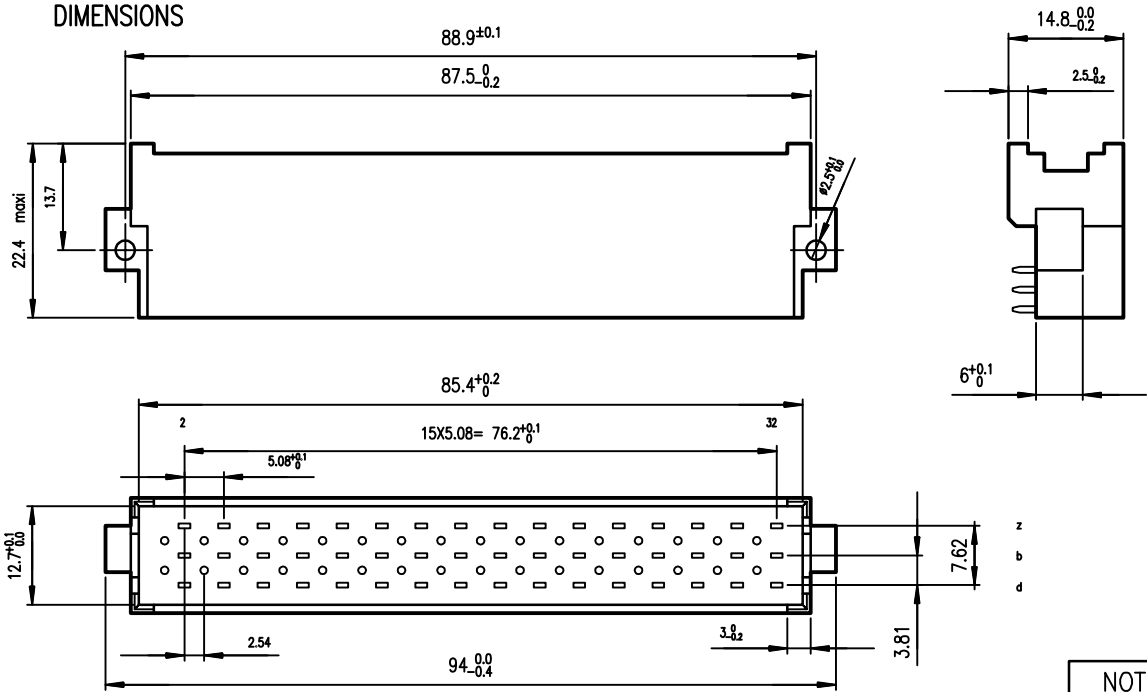
1

2

3

4

DIMENSIONS



ELECTRICAL DATA

- Current at AMB. 5.5 A at 20° / 4 A at 70°
- Contact resistance ≤15mΩ according to DIN 41640 Teil 4 test 2a
- Insulation resistance ≥ 10⁶ MΩ according to DIN 41640 teil 7 test 3a according to DIN 41640 teil 21
- TEST VOLTAGE contact/contact 1550 V
- contact/ground 2500 V

MECHANICAL DATA

- Insertion force ≤75N
- Mechanical endurance 400 matings unmatings according to DIN41640 teil 21
- Material insulator Polycarbonate UL94V1
- Material contacts Copper alloy
- Finishing contact surface Gold over nickel
- Finishing termination Lead-Free
- Schock ≤30mΩ according to DIN 41640 Teil 14 test 6c
- Vibration 10-500Hz/5g according to DIN 41640 Teil 15

ENVIRONMENTAL DATA

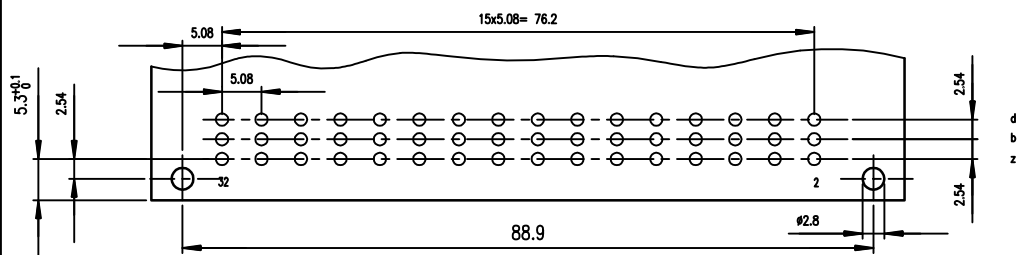
- Climatic category According to DIN 41612 - class 2
- Corrosion According to DIN 41612 - class 2

PERFORMANCES AS PER DIN 41612 STYLE F CLASS 2

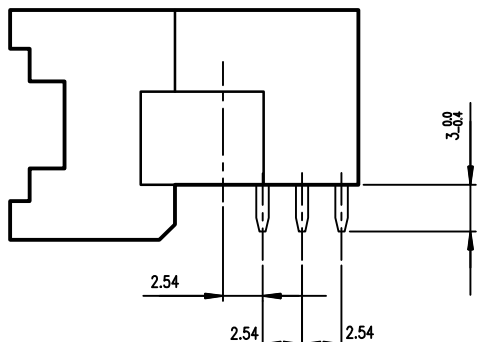
NOTE RoHS INFORMATION

- The "LF" products meet European Union Directives and other country regulations as described in GS-22-008.
- The housing will withstand exposure to 260°C peak temperature for 3.5 seconds in a wave solder application with a 1.6mm minimum thick circuit board.
- For the right angled versions , like the current leaded versions, it's recommended to use high temperature adhesive or metallic device, to protect the nearest plastic part in contact with of the solder wave, to avoid any visual plastic deterioration.

P.C. CARD DRILLING



TERMINATION



LEAD-FREE PART-NUMBER
5159009486354111LF

European Views

www.fciconnect.com		surface ISO 1302 ✓	tolerance std ISO 406 ISO 1101	projection	mm																															
TOLERANCES UNLESS OTHERWISE SPECIFIED																																				
Dr	ETIEMBRE	1993/12/22	ANGULAR	0.X ±0.1	size A3																															
Eng	GOISNARD	1993/12/22	LINEAR	0.XX ±0.1	Scale 1.5																															
Chr	LEGARE	1993/12/22	0.XX ±2	0.XXX ±0.1	ECN F12-0053																															
Appr	LEGARE	1993/12/22	Product family	DIN Spec ref -																																
<table border="1"> <thead> <tr> <th>rev</th> <th>ecn no</th> <th>dr</th> <th>date</th> </tr> </thead> <tbody> <tr><td>A</td><td>-</td><td>DET</td><td>1993/12/22</td></tr> <tr><td>B</td><td>-</td><td>LGO</td><td>2005/12/13</td></tr> <tr><td>C</td><td>LS06-0022</td><td>LGO</td><td>2006/01/26</td></tr> <tr><td>D</td><td>LS06-0095</td><td>LGO</td><td>2006/07/28</td></tr> <tr><td>E</td><td>LS07-0288</td><td>LGO</td><td>2007/11/12</td></tr> <tr><td>F</td><td>F10-0214</td><td>APA</td><td>2010/10/01</td></tr> <tr><td>G</td><td>F12-0053</td><td>APA</td><td>2012/05/07</td></tr> </tbody> </table>			rev	ecn no	dr	date	A	-	DET	1993/12/22	B	-	LGO	2005/12/13	C	LS06-0022	LGO	2006/01/26	D	LS06-0095	LGO	2006/07/28	E	LS07-0288	LGO	2007/11/12	F	F10-0214	APA	2010/10/01	G	F12-0053	APA	2012/05/07		
rev	ecn no	dr	date																																	
A	-	DET	1993/12/22																																	
B	-	LGO	2005/12/13																																	
C	LS06-0022	LGO	2006/01/26																																	
D	LS06-0095	LGO	2006/07/28																																	
E	LS07-0288	LGO	2007/11/12																																	
F	F10-0214	APA	2010/10/01																																	
G	F12-0053	APA	2012/05/07																																	
title MALE CONNECTOR 3 ROWS				dwg no	C01-5159-0005																															
48 CONTACTS, STYLE F				Rev.	G																															
catalog no -				CUSTOMER	sheet 1 of 1																															



Copyright FCI.

1

2

3

4