



Chipsmall Limited consists of a professional team with an average of over 10 year of expertise in the distribution of electronic components. Based in Hongkong, we have already established firm and mutual-benefit business relationships with customers from,Europe,America and south Asia,supplying obsolete and hard-to-find components to meet their specific needs.

With the principle of “Quality Parts,Customers Priority,Honest Operation,and Considerate Service”,our business mainly focus on the distribution of electronic components. Line cards we deal with include Microchip,ALPS,ROHM,Xilinx,Pulse,ON,Everlight and Freescale. Main products comprise IC,Modules,Potentiometer,IC Socket,Relay,Connector.Our parts cover such applications as commercial,industrial, and automotives areas.

We are looking forward to setting up business relationship with you and hope to provide you with the best service and solution. Let us make a better world for our industry!



Contact us

Tel: +86-755-8981 8866 Fax: +86-755-8427 6832

Email & Skype: info@chipsmall.com Web: www.chipsmall.com

Address: A1208, Overseas Decoration Building, #122 Zhenhua RD., Futian, Shenzhen, China



516 SERIES SHIELDED METAL COVER

ORDERING GUIDE:

516 - 235 - 156

SERIES

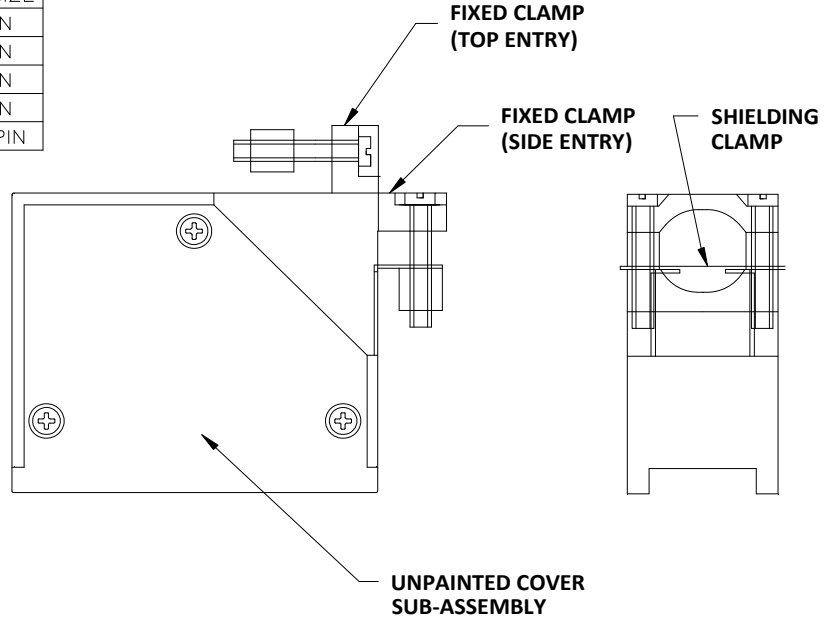
SHIELDED COVER IDENTIFICATION CODE

COVER TYPE

COVER SIZE

CODE	COVER SIZE
20	20 PIN
38	38 PIN
56	56 PIN
90	90 PIN
12	120 PIN

CODE	ENTRY STYLE	THREAD TAP
1	SIDE	METRIC
3	TOP	METRIC
5	SIDE	UNIFIED
7	TOP	UNIFIED



NOTE:
 PACKAGING TO PREVENT PLATING
 SCRATCHES AND SCRAPES IS REQUIRED.

COMPONENTS CHART

SHIELDED COVER PART NUMBER	SHIELDING CLAMP	UNPAINTED COVER SUB-ASSEMBLY	COMPONENT PART NUMBER
		1	516-234-121
		1	516-234-139
		1	516-234-157
		1	516-234-191
		1	516-234-113
		1	516-234-421
		1	516-234-439
		1	516-234-457
		1	516-234-491
		1	516-234-413
1			516-234-621
	1		516-234-639
		1	516-234-657
		1	516-234-691
		1	516-234-613
		1	516-234-821
		1	516-234-839
		1	516-234-857
		1	516-234-891
		1	516-234-813
		1	516-237-120
	1	1	516-237-138
		1	516-237-190
		1	516-237-112
516-235-120			
516-235-138			
516-235-156			
516-235-190			
516-235-112			
516-235-320			
516-235-338			
516-235-356			
516-235-390			
516-235-312			
516-235-520			
516-235-538			
516-235-556			
516-235-590			
516-235-512			
516-235-720			
516-235-738			
516-235-756			
516-235-790			
516-235-712			