



Chipsmall Limited consists of a professional team with an average of over 10 year of expertise in the distribution of electronic components. Based in Hongkong, we have already established firm and mutual-benefit business relationships with customers from,Europe,America and south Asia,supplying obsolete and hard-to-find components to meet their specific needs.

With the principle of "Quality Parts,Customers Priority,Honest Operation,and Considerate Service",our business mainly focus on the distribution of electronic components. Line cards we deal with include Microchip,ALPS,ROHM,Xilinx,Pulse,ON,Everlight and Freescale. Main products comprise IC,Modules,Potentiometer,IC Socket,Relay,Connector.Our parts cover such applications as commercial,industrial, and automotives areas.

We are looking forward to setting up business relationship with you and hope to provide you with the best service and solution. Let us make a better world for our industry!



## Contact us

Tel: +86-755-8981 8866 Fax: +86-755-8427 6832

Email & Skype: info@chipsmall.com Web: www.chipsmall.com

Address: A1208, Overseas Decoration Building, #122 Zhenhua RD., Futian, Shenzhen, China



DRAWING NUMBER	ISSUE
516-254-091-109	5
PART NUMBER	
516-254-091-109	

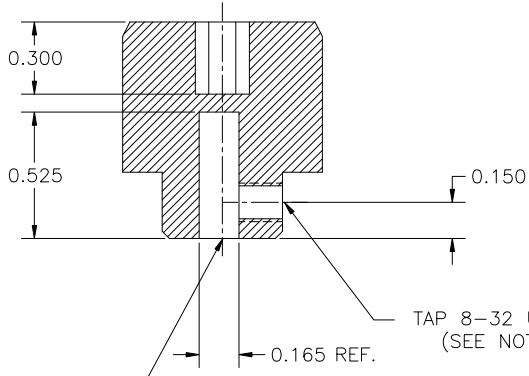
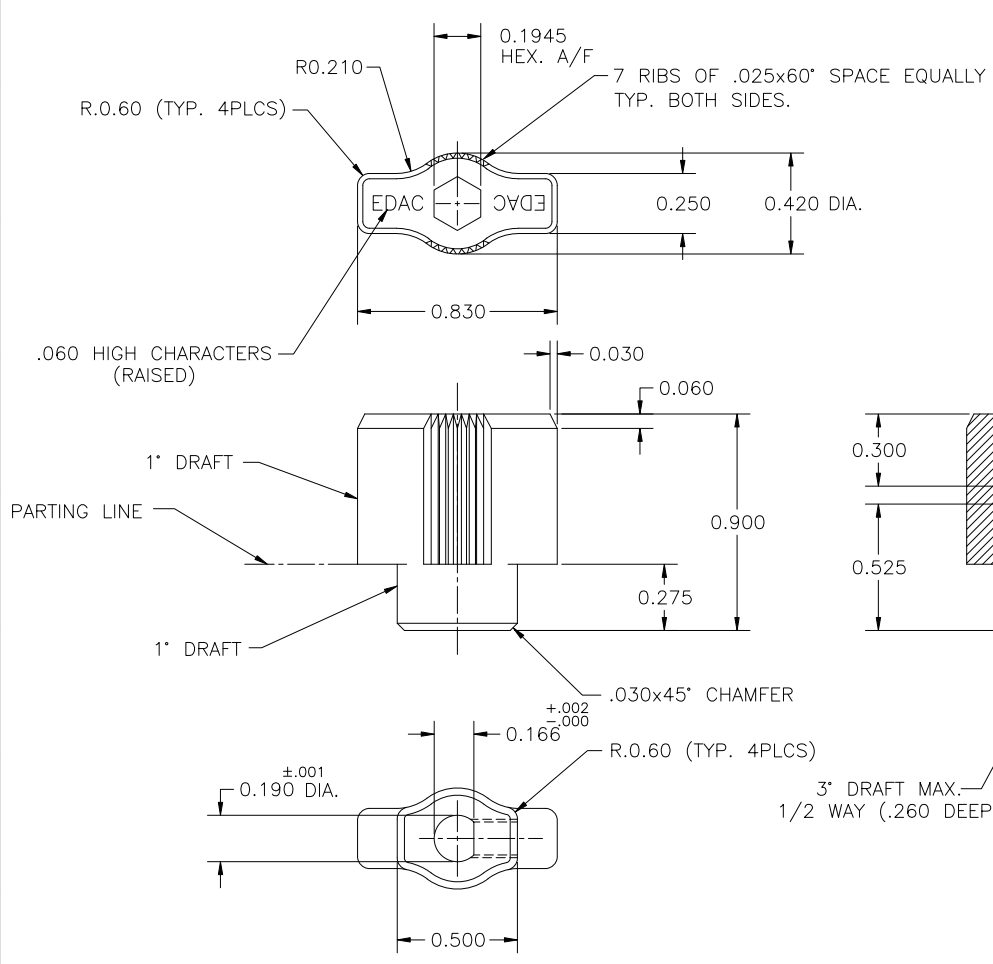
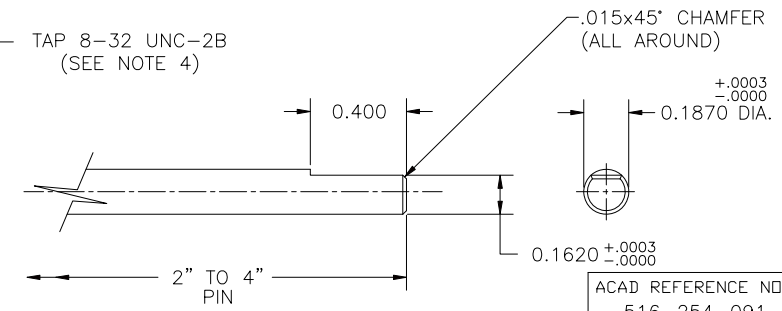


FIGURE "A"  
TIP OF SHAFT OPENING GAUGE  
MATERIAL: H.S.S. HARDEN



ACAD REFERENCE NO.
516-254-091-109

- NOTES:
- 1- MATERIAL: ZINC DIECAST ZAMAK 5.
  - 2- STD. PLATING (EDAC SPEC. 81/10, CODE 109) ZINC PLATING (ELECTRODEPOSITED) .0002" TO .0004" THICK WITH BLACK DYED CHROMATE FINISH.
  - 3- THE GAUGE SHOWN IN FIGURE "A" SHALL SLIDE FREELY INTO THE SHAFT OPENING OF THE KNOB AFTER ALL PLATING AND TAPPING OPERATIONS ARE COMPLETED.
  - 4- 8-32 SOCKET SET SCREW FLAT POINT 3/16 LONG MUST BE INSTALL AFTER PLATED.

RECOMMENDED: DISPOSITION OF STOCK (PRIOR ISSUE PARTS)	ISSUE NUMBER	① ORIGINAL	② PARTING LINE AND DRAFT ADDED. AND DWG. N° WAS SK-970505 F.BRIONES FEB.12/96	③ NOTE 4 ADDED F.BRIONES OCT. 9/97	④ DWG.NO. CHANGE TO P/T NO. F.BRIONES JAN.17/00	⑤ ROTATED HEX J.LEE JULY 23/09
<input type="checkbox"/> SCRAP <input type="checkbox"/> REWORK <input type="checkbox"/> INSPECT <input type="checkbox"/> USE AS IS <input type="checkbox"/> SEE ENGINEERING MEMO						

TOLERANCE UNLESS NOTED		KNOB DRAWING NOTES: 1) DO NOT SCALE DRAWING. 2) DIMENSIONS ARE IN INCHES AND INCLUDE THICKNESS OF PLATING. 3) ALL SCREW THREADS TO BE CLASS 2 FIT (AMSTD.) UNLESS OTHERWISE SPECIFIED.				THIRD ANGLE PROJECTION 	DRAWN: F.BRIONES	DATE: FEB.5/97	
DIMENSION	TOLERANCE						CHECKED:	DATE:	
.00	± .						ENG.APPR:	DATE:	
.000	± .005						SCALE:	SHEET 1 OF 1	
.0000	± .	DRAWING NUMBER		516-254-091-109		ISSUE		5	
ANGULAR	± .	EDAC INC TORONTO, ONTARIO CANADA YOUR CONNECTION TO QUALITY & SERVICE		THESE DRAWINGS AND SPECIFICATIONS ARE THE PROPERTY OF EDAC INC. AND SHALL NOT BE REPRODUCED OR COPIED OR USED AS THE BASIS FOR THE MANUFACTURE OR SALE OF APPARATUS WITHOUT WRITTEN PERMISSION.					