



Chipsmall Limited consists of a professional team with an average of over 10 year of expertise in the distribution of electronic components. Based in Hongkong, we have already established firm and mutual-benefit business relationships with customers from,Europe,America and south Asia,supplying obsolete and hard-to-find components to meet their specific needs.

With the principle of “Quality Parts,Customers Priority,Honest Operation,and Considerate Service”,our business mainly focus on the distribution of electronic components. Line cards we deal with include Microchip,ALPS,ROHM,Xilinx,Pulse,ON,Everlight and Freescale. Main products comprise IC,Modules,Potentiometer,IC Socket,Relay,Connector.Our parts cover such applications as commercial,industrial, and automotives areas.

We are looking forward to setting up business relationship with you and hope to provide you with the best service and solution. Let us make a better world for our industry!



## Contact us

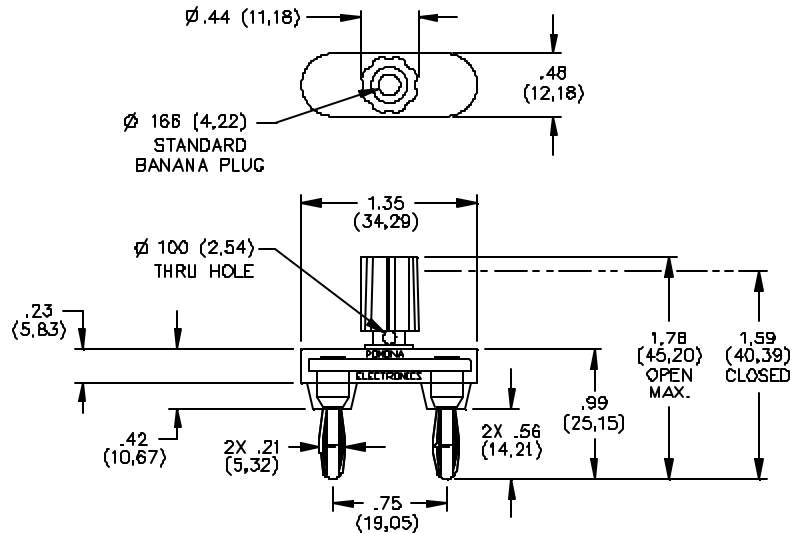
Tel: +86-755-8981 8866 Fax: +86-755-8427 6832

Email & Skype: info@chipsmall.com Web: www.chipsmall.com

Address: A1208, Overseas Decoration Building, #122 Zhenhua RD., Futian, Shenzhen, China



## Model 5165 Encapsulated Double Banana Plug Shorting Bar With Binding Post



### FEATURES:

- Mates to Model #2269 or any standard double banana jack.
- Binding post cross hole allows attachment of pin tip plugs.
- Shorting bar is completely encapsulated in clear Polypropylene.

### MATERIALS:

#### Upper Conn.:

Binding Post Body: Brass, per QQ-B-626 Alloy 360, ½ Hard.  
Finish: Nickel plated per QQ-N-290, Class 2, 200/300 microinches.  
Insulation: Polycarbonate molded to collar.  
Color: See ordering information.

#### Shorting Bar:

Material: Brass, per QQ-B-613, Composition  
Finish: Nickel plated per QQ-N-290, Class 2,

Insulation: Polypropylene molded to binding post, shorting bar and banana plugs.

Color: Clear.

Marking "POMONA ELECTRONICS"  
"MODEL 5165"

#### Lower Conn.:

##### Banana Plugs:

Material: Spring: Beryllium Copper per QQ-C-533, Berylco 25, Cond. H.T.

Plug body: Brass, per QQ-B-626, Alloy 360, ½ Hard

Finish: Nickel plated per QQ-N-290, Class 2, 200/300 microinches.

### RATINGS:

Operating Temperature: +50°C. (+122°F.) Max.

Operating Voltage: 2500 VRMS

Current: 15 Amperes

Resistance: Less than 1.5 milliohms. 2, ½ Hard

**ORDERING INFORMATION** 200/300 microinches.

\*=Color, -0 Black, -2 Red

Ordering Example: 5165-2 Color is Red

All dimensions are in inches. Tolerances (except noted): .xx = ±.02" (.51 mm), .xxx = ±.005" (.127 mm).  
All specifications are to the latest revisions. Specifications are subject to change without notice.  
Registered trademarks are the property of their respective companies.

Made in USA