



Chipsmall Limited consists of a professional team with an average of over 10 year of expertise in the distribution of electronic components. Based in Hongkong, we have already established firm and mutual-benefit business relationships with customers from,Europe,America and south Asia,supplying obsolete and hard-to-find components to meet their specific needs.

With the principle of “Quality Parts,Customers Priority,Honest Operation,and Considerate Service”,our business mainly focus on the distribution of electronic components. Line cards we deal with include Microchip,ALPS,ROHM,Xilinx,Pulse,ON,Everlight and Freescale. Main products comprise IC,Modules,Potentiometer,IC Socket,Relay,Connector.Our parts cover such applications as commercial,industrial, and automotives areas.

We are looking forward to setting up business relationship with you and hope to provide you with the best service and solution. Let us make a better world for our industry!



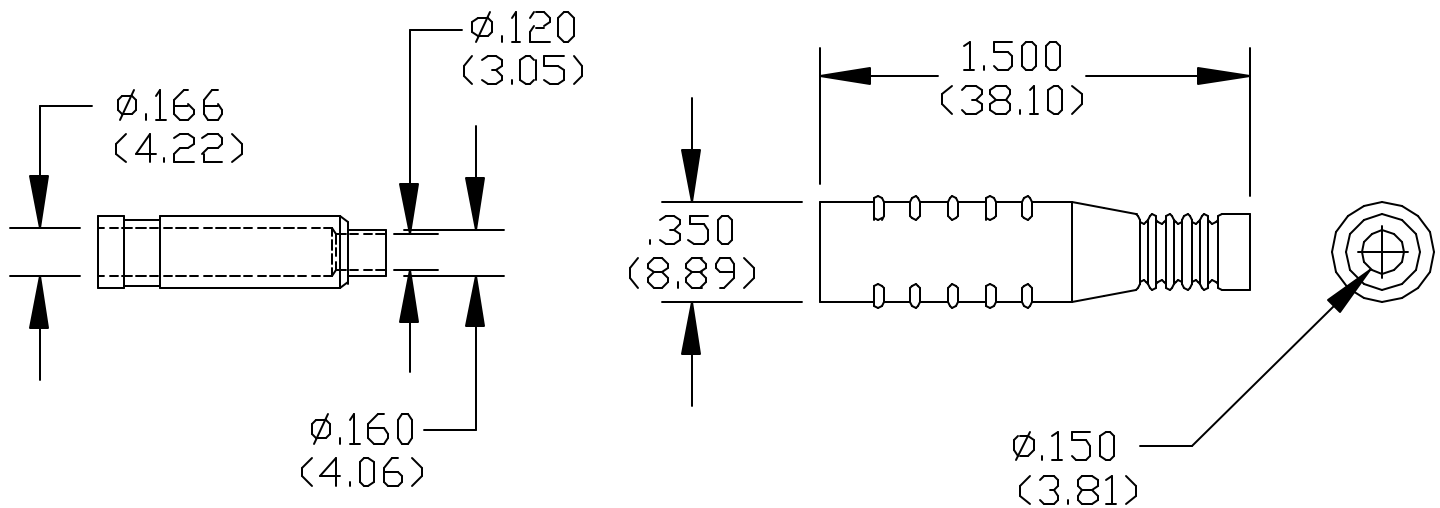
## Contact us

Tel: +86-755-8981 8866 Fax: +86-755-8427 6832

Email & Skype: info@chipsmall.com Web: www.chipsmall.com

Address: A1208, Overseas Decoration Building, #122 Zhenhua RD., Futian, Shenzhen, China





### FEATURES:

- Ideal for making test cables and field repairs.
- Use with Model #5170 Banana Plug to make extension cables.
- Snap-on two piece design allows the wire to be crimped or soldered.
- Part will accept 14, 16 AWG wire, crimp or solder connection.

### MATERIALS:

In-Line Banana Jack

Brass per QQ-B-626, Alloy 360, 1/2 Hard.

Insulation: Flexible PVC

Marking: "POMONA"

Finish: Nickel plated per QQ-N-290, Class 2, 200/300 micro-inches.

### RATINGS: (Independent of Wire)

Operating Temperature: +50°C. (+122°F.) Max.

Voltage: Hand-held testing: 30VAC/60VDC Max.

Hands free testing in controlled voltage environments: 5000 WVDC Max.

Current: 15 Amperes.

### ORDERING INFORMATION: Model 5168-\*

\*=Color, -0 Black, -2 Red

Ordering Example: 5168-2, Color is Red

Colors other than those specified are available on request.

All dimensions are in inches. Tolerances (except noted): .xx =  $\pm .02$ " (.51 mm), .xxx =  $\pm .005$ " (.127 mm).

All specifications are to the latest revisions. Specifications are subject to change without notice.

Registered trademarks are the property of their respective companies. Made in USA