



Chipsmall Limited consists of a professional team with an average of over 10 year of expertise in the distribution of electronic components. Based in Hongkong, we have already established firm and mutual-benefit business relationships with customers from,Europe,America and south Asia,supplying obsolete and hard-to-find components to meet their specific needs.

With the principle of “Quality Parts,Customers Priority,Honest Operation,and Considerate Service”,our business mainly focus on the distribution of electronic components. Line cards we deal with include Microchip,ALPS,ROHM,Xilinx,Pulse,ON,Everlight and Freescale. Main products comprise IC,Modules,Potentiometer,IC Socket,Relay,Connector.Our parts cover such applications as commercial,industrial, and automotives areas.

We are looking forward to setting up business relationship with you and hope to provide you with the best service and solution. Let us make a better world for our industry!



## Contact us

Tel: +86-755-8981 8866 Fax: +86-755-8427 6832

Email & Skype: info@chipsmall.com Web: www.chipsmall.com

Address: A1208, Overseas Decoration Building, #122 Zhenhua RD., Futian, Shenzhen, China

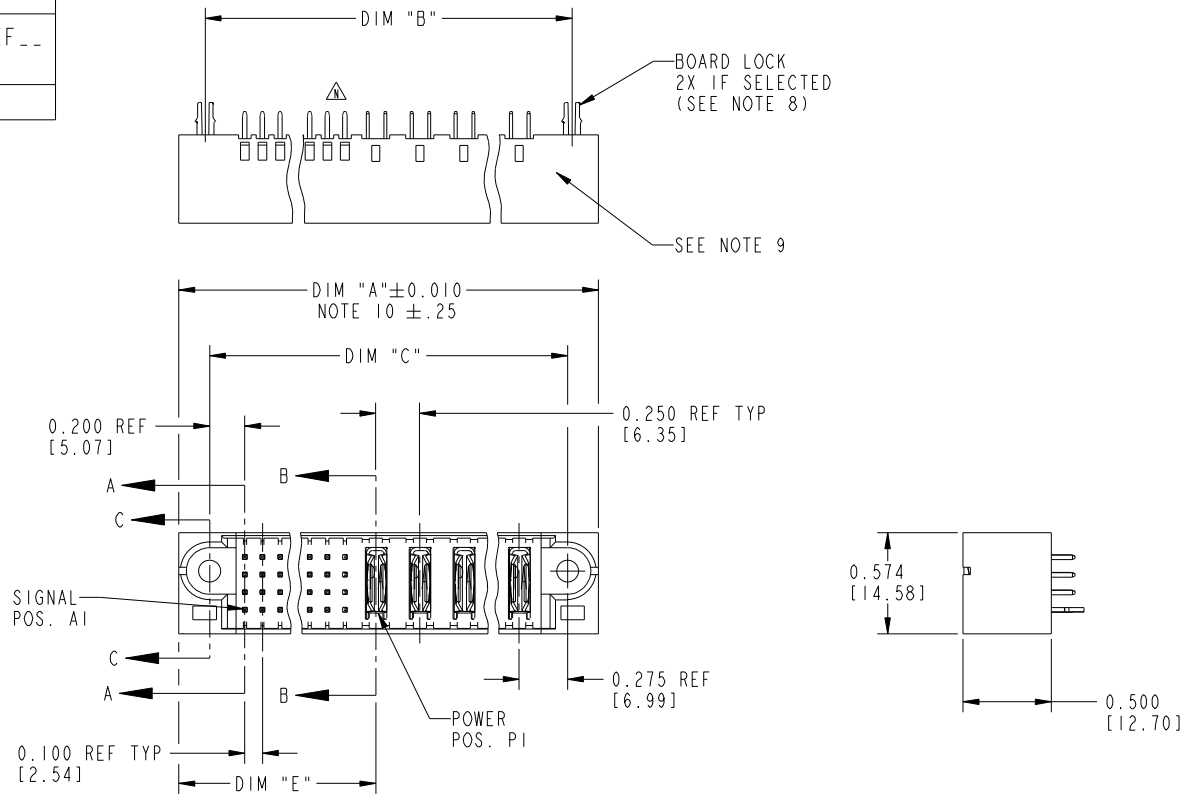


Tous droits strictement reserves. Reproduction ou communication a des tiers interdite sous quelque forme que ce soit sans autorisation ecrite du proprietaire. Propriete de c FCI. Droits de reproduction FCI.



All rights strictly reserved. Reproduction or issue to third parties in any form whatever is not permitted without written authority from the proprietor. Property of FCI. Copyright FCI.

PRODUCT NUMBER  
51701-A00CCDDEF--  
Note: ①  
SEE NOTE 1



mat'l code				SEE NOTE 2		tolerances unless otherwise specified		CUSTOMER		 www.fciconnect.com	
ltr	ecn no.	dr	date	linear	.XX±.01/0.X±0.3		COPY		 title VERTICAL HEADER w/ GUIDE PIN SIGNAL / POWER		
J	DG05-0132	SJ	05/30/05		.XXX±.005/0.XX±0.13		projection				
K	DG06-0505	CS	01/13/05	angles	.XXX±.0020/.XXX±.051		 INCH/MM		product family PWRBLADE code 213 size dwg no 51701 sheet 1 of 3		
L	DG08-0239	JC	09/11/08		0°±2°		scale				
M	DG09-0231	JW	07/14/09	dr	JRW	10-15-01	1:1		cage code 22526		
N	DG10-0078	AL	02/23/10	enr	J.ALLISON	10-15-01	A				
				chr	J.ALLISON	10-15-01					
				appd	J.ALLISON	10-15-01					
sheet index	revision sheet	N	N	N							
		1	2	3							

Pro/E

cage code 22526

Tous droits strictement réservés. Reproduction ou communication à des tiers interdite sous quelque forme que ce soit sans autorisation écrite du propriétaire. Propriété de c FCI. Droits de reproduction FCI.

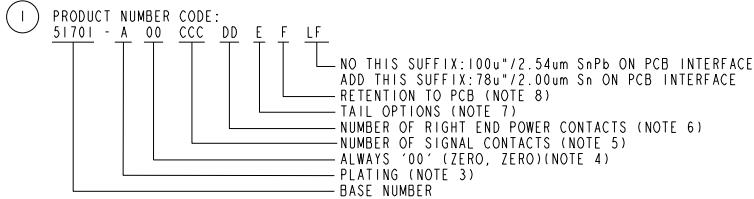


All rights strictly reserved. Reproduction or issue to third parties in any form whatever is not permitted without written authority from the proprietor. Property of FCI. Copyright FCI.

PRODUCT NUMBER
51701-A00CCDDEF_-- Note: ①
SEE NOTE 1

DIM	LENGTH FORMULAS (SEE NOTE 10)
DIM "A"	.100 [2.54] x (CCC/4) + .250 [6.35] x DD + .650 [16.51] (NOTE 10)
DIM "B"	.100 [2.54] x (CCC/4) + .250 [6.35] x DD + .350 [8.89]
DIM "C"	.100 [2.54] x (CCC/4) + .250 [6.35] x DD + .300 [7.62]
DIM "E"	.100 [2.54] x (CCC/4) + .450 [11.43]
DIM "F"	.100 [2.54] x (CCC/4) + .250 [6.35] x DD + .680 [17.27]
DIM "H"	.100 [2.54] x (CCC/4) + .250 [6.35]

CONNECTOR NOTES



- ② HOUSING MATERIAL: UL94 V-0 GLASS FILLED HIGH TEMP THERMO PLASTIC.  
SIGNAL CONTACT MATERIAL: COPPER ALLOY  
POWER CONTACT MATERIAL: COPPER ALLOY
- ③ PLATING OPTION:  
1=SEE PRINT 10064183 FOR PLATING SPEC OF 51701-100CCDDEF; 51701-100CCDDEF-LF
- ④ THIS PART NOT AVAILABLE WITH LEFT SIDE POWER CONTACTS.
- ⑤ SIGNAL CONTACT, 004 TO 148 AVAILABLE.
- ⑥ RIGHT END POWER CONTACTS, 01 - 20 AVAILABLE.
- ⑦ TAIL OPTIONS:  
A = 0.135 +0.015/-0.010 [3.43 +.38/- .25] SOLDER TO BOARD  
B = 0.165 +0.015/-0.010 [4.19 +.38/- .25] SOLDER TO BOARD  
C = 0.165 +0.015/-0.010 [4.19 +.38/- .25] PRESS FIT
- ⑧ RETENTION TO PCB OPTIONS:  
A = BOARD LOCK (REQUIRES 0.098 = .002/- .001 [2.49 +0.05/-0.03] THRU HOLE IN PCB). (NOT AVAILABLE WITH PRESS FIT)  
C = NO RETENTION FEATURE (ALL PRESS FIT).

- ⑨ MANUFACTURE'S NAME, P/N, AND DATE CODE TO APPEAR ON THIS SURFACE.
- 10. THE MAXIMUM OVERALL LENGTH (DIM A) OF A PART IS 8.00 [203.2]
- 11. PRODUCT SPECIFICATION GS-12-149
- 12. SEE PWRBLADE VERTICAL HEADER SPECIAL WORKSHEET (51696) FOR MATING LENGTH OPTIONS.
- ⑬ DIMENSIONS AND TOLERANCES ARE IN ACCORDANCE WITH ASME Y14.5M, 1994 UNLESS OTHERWISE SPECIFIED.

PCB NOTES:

- 14. ALL DIMENSIONS ARE BASIC UNLESS OTHERWISE SPECIFIED.
- 15. ALL THROUGH HOLES ARE LOCATED WITH A TRUE POSITION OF 0.004 [0.10]
- 16. ALL HOLE DIAMETERS ARE FINISHED HOLE SIZE.
- 17. Ø0.098 [2.49] THROUGH HOLES ARE UNPLATED
- 18. Ø0.0453 ±0.0010 [1.151 ±0.025] DRILLED HOLES PLATED WITH 0.0003 [0.008] MIN SnPb OVER 0.001 [0.03] TO 0.003 [0.08] Cu PLATING TO ACHIEVE A Ø0.040±0.003 [1.02±0.07] HOLE.
- 19. FOR PRESS FIT APPLICATION USE FCI CAM TOOL 430169-XXX.
- 20. A  $\Delta$  SYMBOL WILL BE NEXT TO ANY DIMENSION, VIEW, OR NOTE WHICH HAS BEEN MODIFIED WITH THE CURRENT DRAWING REVISION.

mat'l code		SEE NOTE 2		tolerances unless otherwise specified		CUSTOMER		FCI		www.fciconnect.com	
ltr	ecn no.	dr	date	linear	.XX±.01/0.X±0.3	projection	COPY	title			
N				linear	.XXX±.005/0.XX±0.13	projection		VERTICAL HEADER w/ GUIDE PIN SIGNAL / POWER			
				angles	.XXX±.0020/.XXX±.051	projection		product family			
				dr	0°±2°	projection		PWRBLADE		code	
				enr	JRW 10-15-01	projection		size		213	
				enr	J.ALLISON 10-15-01	projection		dwg no		sheet	
				chr	J.ALLISON 10-15-01	projection		51701		2	
				appd	J.ALLISON 10-15-01	projection		A			
sheet index		revision sheet		scale		1:1		cage code		22526	

1 | 2

3 |

4

Pro/E

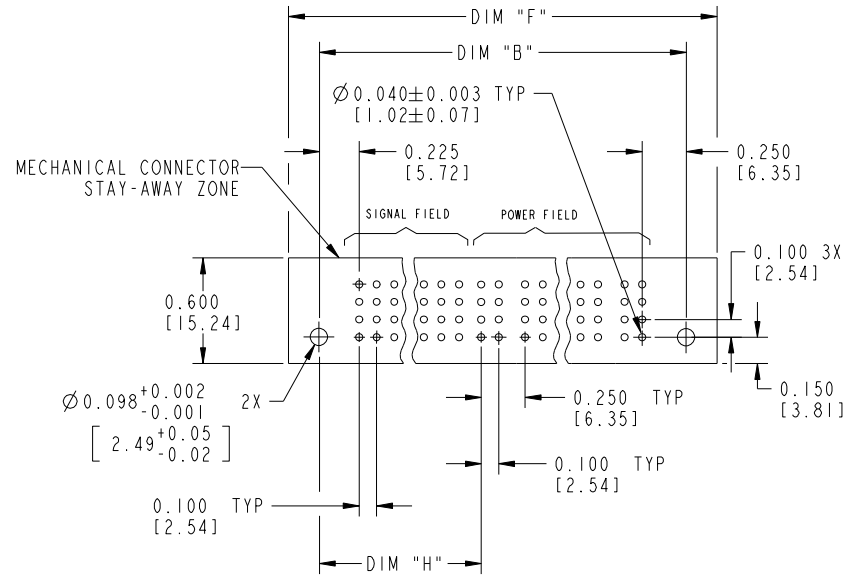
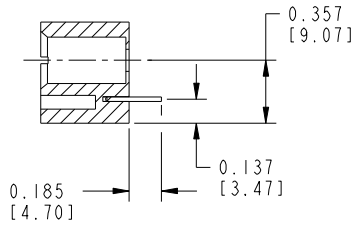
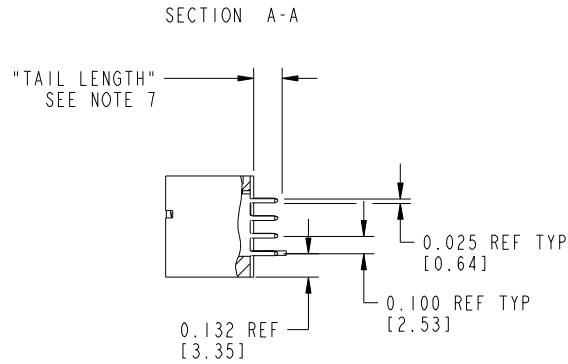
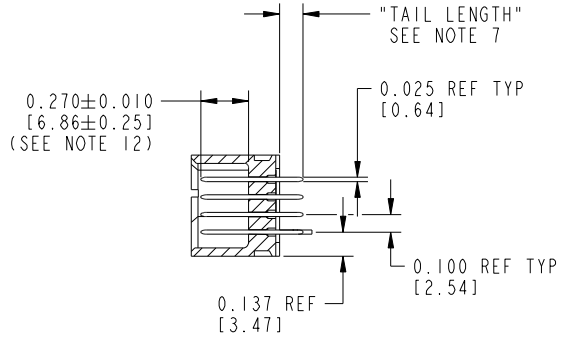
cage code 22526

Tous droits strictement réservés. Reproduction ou communication à des tiers interdite sous quelque forme que ce soit sans autorisation écrite du propriétaire. Propriété de c.FCI. Droits de reproduction FCI.



All rights strictly reserved. Reproduction or issue to third parties in any form whatever is not permitted without written authority from the proprietor. Property of FCI. Copyright FCI.

PRODUCT NUMBER
51701-A00CCDDEF_..
Note: ①
SEE NOTE 1



mat'l code				SEE NOTE 2		tolerances unless otherwise specified		CUSTOMER		 www.fciconnect.com	
ltr	ecn no.	dr	date	linear	.XX±.01/.X±0.3		COPY		title VERTICAL HEADER w/ GUIDE PIN SIGNAL / POWER		
N					.XXX±.005/.XX±0.13		projection				
					.XXX±.0020/.XXX±.051						
				angles	0°±2°		 INCH/MM		product family		code
				dr	JRW	10-15-01	scale		PWRBLADE		213
				enr	J.ALLISON	10-15-01	1:1		size		sheet
				chr	J.ALLISON	10-15-01	A		dwg no		3
				appd	J.ALLISON	10-15-01			51701		
sheet index	revision sheet										

Pro/E

cage code 22526