



Chipsmall Limited consists of a professional team with an average of over 10 year of expertise in the distribution of electronic components. Based in Hongkong, we have already established firm and mutual-benefit business relationships with customers from,Europe,America and south Asia,supplying obsolete and hard-to-find components to meet their specific needs.

With the principle of “Quality Parts,Customers Priority,Honest Operation,and Considerate Service”,our business mainly focus on the distribution of electronic components. Line cards we deal with include Microchip,ALPS,ROHM,Xilinx,Pulse,ON,Everlight and Freescale. Main products comprise IC,Modules,Potentiometer,IC Socket,Relay,Connector.Our parts cover such applications as commercial,industrial, and automotives areas.

We are looking forward to setting up business relationship with you and hope to provide you with the best service and solution. Let us make a better world for our industry!



## Contact us

Tel: +86-755-8981 8866 Fax: +86-755-8427 6832

Email & Skype: info@chipsmall.com Web: www.chipsmall.com

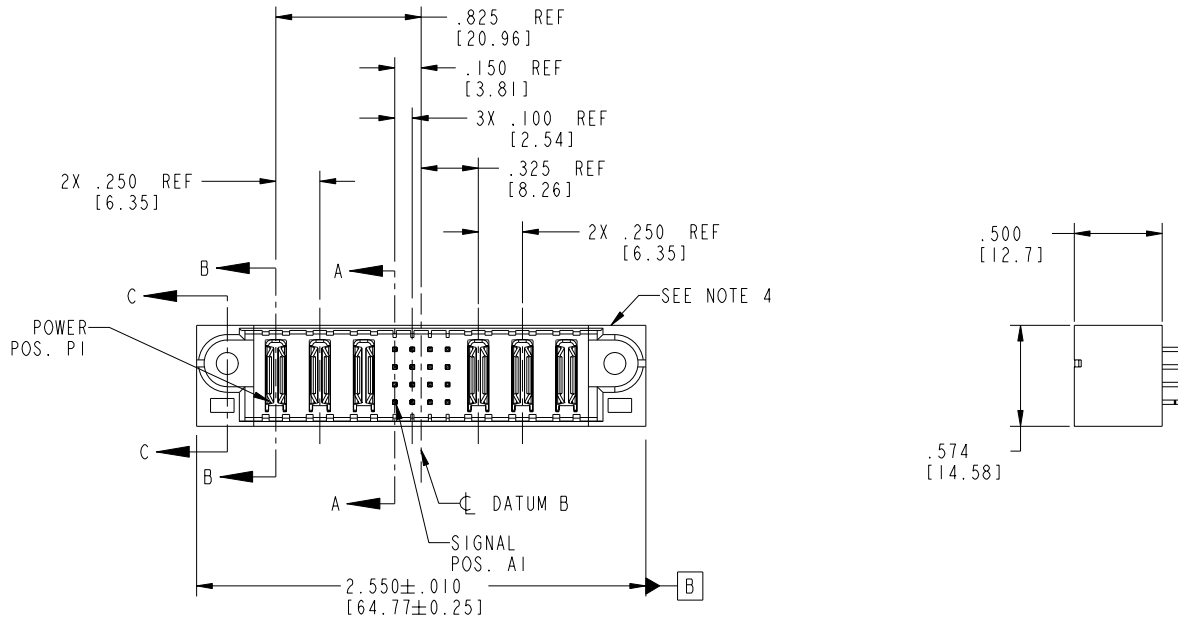
Address: A1208, Overseas Decoration Building, #122 Zhenhua RD., Futian, Shenzhen, China



Tous droits strictement réservés. Reproduction ou communication à des tiers interdite sous quelque forme que ce soit sans autorisation écrite du propriétaire. Propriété de c FCI. Droits de reproduction FCI.

All rights strictly reserved. Reproduction or issue to third parties in any form whatever is not permitted without written authority from the proprietor. Property of FCI. Copyright FCI.

PRODUCT NO.	ROWS	POWER			SIGNAL				POWER			E2	
		E1	P1	P2	P3	1	2	3	4	P4	P5		P6
51710-014	D C B A												
Note: ③													



CODE	DIM "M" MATING LENGTH	CONTACT TYPE
PA	N/A [N/A]	POWER
E	.270 [6.86]	SIGNAL
HA	N/A [N/A]	HOLD-DOWN
H	.220 [5.59]	SIGNAL

mat'l code				SEE NOTE 2		tolerances unless otherwise specified		CUSTOMER		 www.fciconnect.com	
ltr	ecn no.	dr	date	linear	.XX±.01/0.X±0.3	COPY		projection		title	
A	DG05-0147	SJ	6/7/05		.XXX±.005/0.XX±0.13					3P + 16S + 3P VERTICAL STB HEADER	
B	DG05-0255	SW	07/28/05		.XXX±.0020/0.XX±0.051			INCH/MM		product family	
C	DG06-0011	CS	01/09/06	angles	0°±2°			scale		PwrBlade	
				dr	CSHENG	6/7/05		1:1		code	
				enr	STEVEN WANG	6/7/05		A		213	
				chr	VICTOR LIN	6/7/05		51710-014		sheet	
				appd	JOSEPH HSIA	6/7/05				1 of 4	
sheet index		revision	C	C	C	C	C	cage code		4	
		sheet	1	2	3	4		22526			

Pro/E

PDM: Rev:C

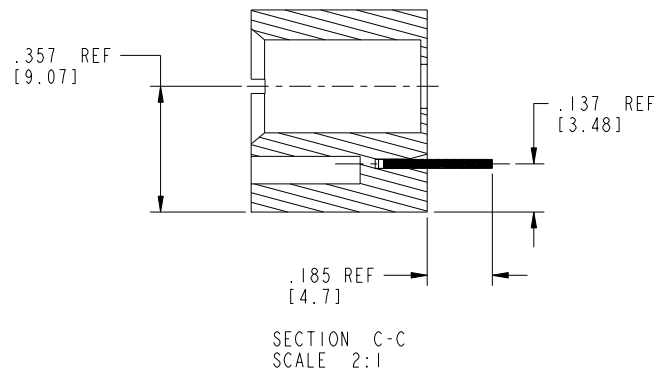
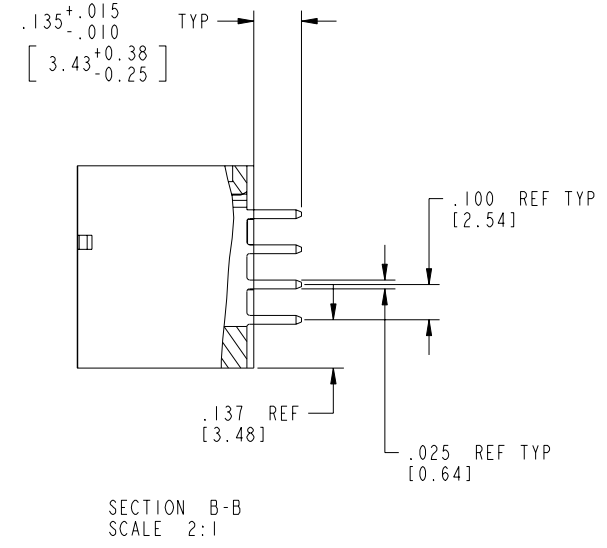
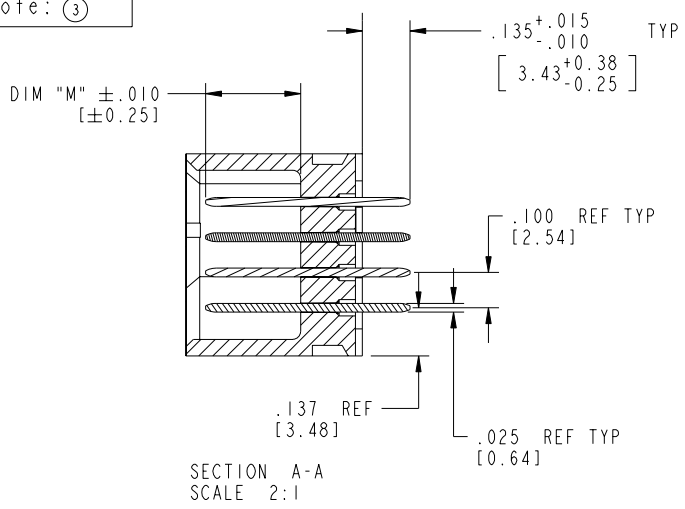
STATUS Released

Printed: Oct 08, 2006

Tous droits strictement réservés. Reproduction ou communication a des tiers interdite sous quelque forme que ce soit sans autorisation écrite du propriétaire. Propriété de c FCI. Droits de reproduction FCI.

All rights strictly reserved. Reproduction or issue to third parties in any form whatever is not permitted without written authority from the proprietor. Property of FCI. Copyright FCI.

PRODUCT NUMBER  
51710-014\_\_  
Note: ③



mat'l code		SEE NOTE 2		tolerances unless otherwise specified		CUSTOMER		 www.fciconnect.com	
ltr	ecn no.	dr	date	linear	.XX±.01/0.X±0.3	COPY		title	
C					.XXX±.005/0.XX±0.13	projection		3P + 16S + 3P	
				angles	.XXX±.0020/0.XX±0.051			VERTICAL STB HEADER	
				dr	CSHENG 6/7/05	INCH/MM		product family	
				enr	STEVEN WANG 6/7/05	scale		PwrBlade	
				chr	VICTOR LIN 6/7/05	1:1		code	
				appd	JOSEPH HSIA 6/7/05			213	
sheet index	revision sheet							size	
								51710-014	
								sheet	
								2 of 4	

cage code 22526

PDM: Rev:C

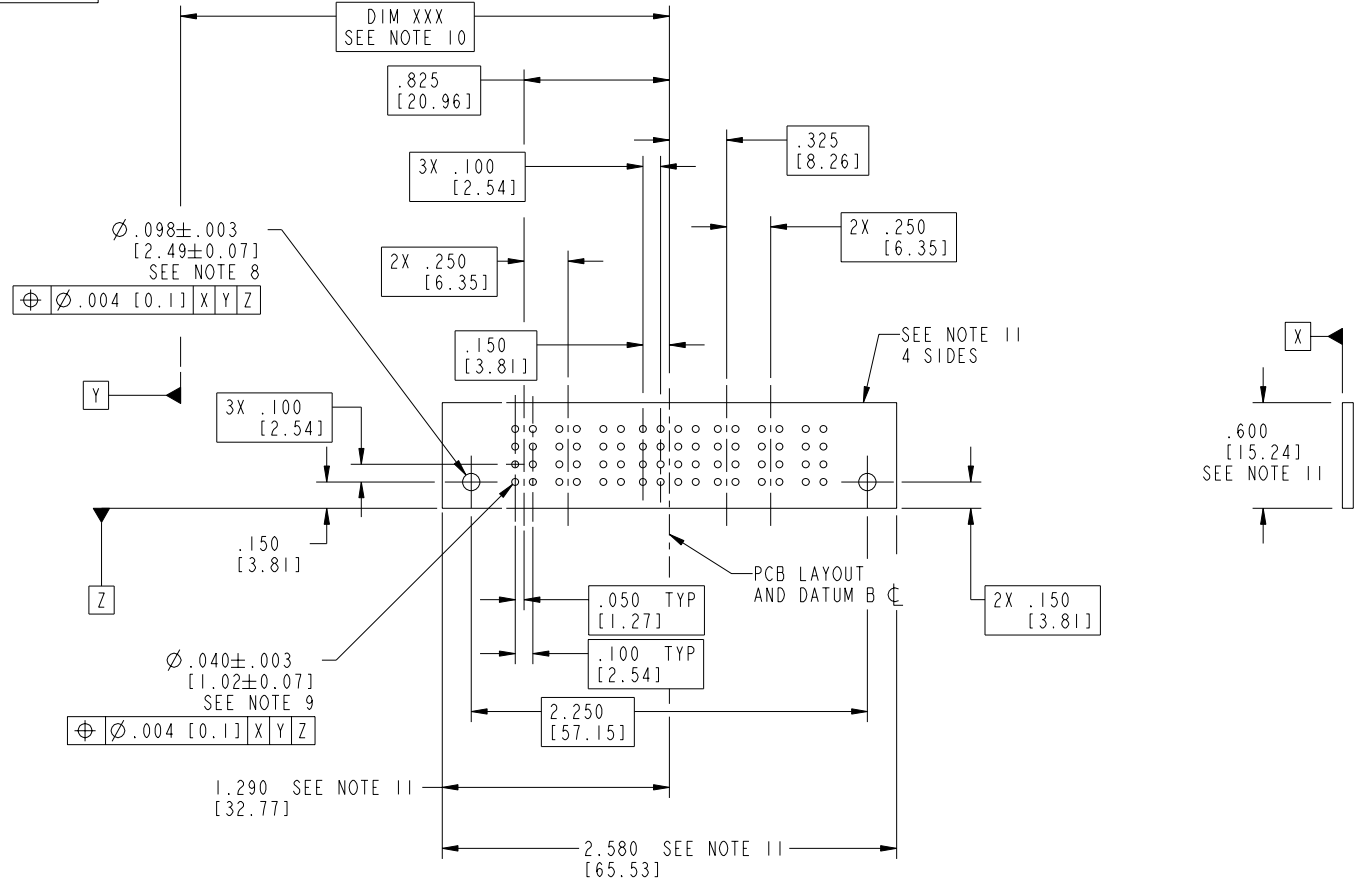
STATUS Released

Printed: Oct 08, 2006

Tous droits strictement réservés. Reproduction ou communication à des tiers interdite sous quelque forme que ce soit sans autorisation écrite du propriétaire. Propriété de c FCI. Droits de reproduction FCI.

All rights strictly reserved. Reproduction or issue to third parties in any form whatever is not permitted without written authority from the proprietor. Property of FCI. Copyright FCI.

PRODUCT NUMBER  
51710-014\_-  
Note: ③



mat'l code SEE NOTE 2				tolerances unless otherwise specified		CUSTOMER		 www.fciconnect.com	
ltr	ecn no.	dr	date	linear	.XX±.01/0.X±0.3	COPY		title	
C					.XXX±.005/0.XX±0.13	projection		3P + 16S + 3P	
				angles	.XXX±.0020/0.XX±0.051			VERTICAL STB HEADER	
				dr	0°±2°	INCH/MM		product family	
				enr	CSHENG 6/7/05	scale		PwrBlade	
				chr	STEVEN WANG 6/7/05	1:1		code	
				appd	VICTOR LIN 6/7/05			213	
					JOSEPH HSIA 6/7/05			sheet	
sheet index	revision sheet							3 of 4	

cage code 22526

Pro/E

PDM: Rev:C

STATUS Released

Printed: Oct 08, 2006

Tous droits strictement réservés. Reproduction ou communication à des tiers interdite sous quelque forme que ce soit sans autorisation écrite du propriétaire. Propriété de c FCI. Droits de reproduction FCI.



All rights strictly reserved. Reproduction or issue to third parties in any form whatever is not permitted without written authority from the proprietor. Property of FCI. Copyright FCI.

PRODUCT NUMBER  
51710-014\_\_  
Note: ③

NOTES:

1. DIMENSIONS AND TOLERANCES ARE IN ACCORDANCE WITH ASME Y14.5M, 1994 UNLESS OTHERWISE SPECIFIED.

CONNECTOR NOTES:

HOUSING MATERIAL: UL 94 V-0 GLASS FILLED HIGH-TEMP THERMOPLASTIC  
POWER CONTACT MATERIAL: COPPER ALLOY  
SIGNAL PIN MATERIAL: COPPER ALLOY

3. PLATING:

51710-014, 51710-014LF, PLATING SPEC SEE PRINT: 100064183.

4. MANUFACTURER'S NAME, P/N, AND DATE CODE TO APPEAR ON THIS SURFACE.

5. PRODUCT SPECIFICATION GS-12-149 APPLICATION SPECIFICATION BUS-20-067.

6. PACKAGED IN TRAYS.

PCB NOTES:

7. ALL HOLE DIAMETERS ARE FINISHED HOLE SIZE.

8. MOUNTING HOLES, WHERE APPLICABLE, ARE UNPLATED.

9.  $\varnothing .0453 \pm .0010$  [1.151  $\pm$  0.025] DRILLED HOLES PLATED WITH .0003 [0.008] MIN SnPb OVER .001 [0.03] TO .003 [0.08] Cu PLATING TO ACHIEVE  $\varnothing .040 \pm .003$  [1.02  $\pm$  .07] HOLE.

10. "DIM XXX" TO BE DETERMINED BY THE CUSTOMER.

11. CONNECTOR KEEP-OUT ZONE.

mat'l code				SEE NOTE 2				tolerances unless otherwise specified				CUSTOMER				A FCI www.fciconnect.com			
ltr		ecn no.		dr		date		linear		.XX±.01/0.X±0.3		projection		COPY		title		3P + 16S + 3P	
C								.XXX±.005/0.XX±0.13		.XXXX±.0020/0.XXX±0.051		INCH/MM		product family		PwrBlade		code	
								angles		0° ± 2°		scale		A		51710-014		213	
								dr		CSHENG 6/7/05		1:1		size		dwg no		sheet	
								enr		STEVEN WANG 6/7/05						4 of 4			
								chr		VICTOR LIN 6/7/05									
								appd		JOSEPH HSIA 6/7/05									
sheet index		revision sheet																	

cage code 22526 4

PDM: Rev:C

STATUS Released

Printed: Oct 08, 2006