



Chipsmall Limited consists of a professional team with an average of over 10 year of expertise in the distribution of electronic components. Based in Hongkong, we have already established firm and mutual-benefit business relationships with customers from,Europe,America and south Asia,supplying obsolete and hard-to-find components to meet their specific needs.

With the principle of “Quality Parts,Customers Priority,Honest Operation,and Considerate Service”,our business mainly focus on the distribution of electronic components. Line cards we deal with include Microchip,ALPS,ROHM,Xilinx,Pulse,ON,Everlight and Freescale. Main products comprise IC,Modules,Potentiometer,IC Socket,Relay,Connector.Our parts cover such applications as commercial,industrial, and automotives areas.

We are looking forward to setting up business relationship with you and hope to provide you with the best service and solution. Let us make a better world for our industry!



Contact us

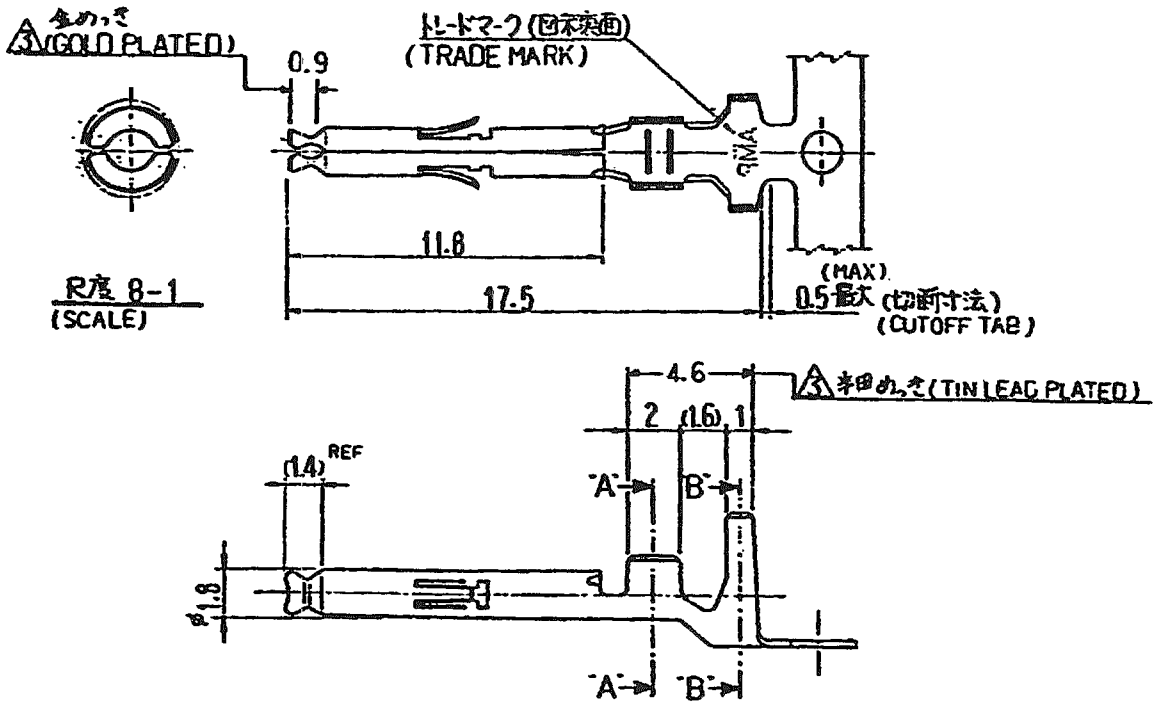
Tel: +86-755-8981 8866 Fax: +86-755-8427 6832

Email & Skype: info@chipsmall.com Web: www.chipsmall.com

Address: A1208, Overseas Decoration Building, #122 Zhenhua RD., Futian, Shenzhen, China



LOC J	DIST —	REVISIONS 変更			DATE	DWN	APVD
		P	LTR	DESCRIPTION			
		A		RELEASED	26JAN2006	Y.Y	N.Y



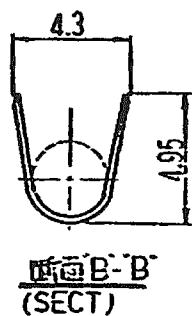
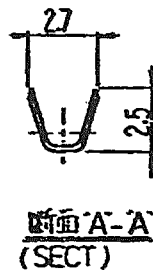
注: 1. 適用規格

製品規格 108-5151, 108-5138.
 取付適用規格 114-5050
 取扱説明書 IS-105J

- △ 2芯着道用電線
AWG#20 (VSF被覆外形φ2.4)×2
- △ ニュールめっき下地に金めっき
及びバレル部 錫めっき

NOTES: 1. PRODUCT SPECIFICATION 108-5151, 108-5138
 APPLICATION SPECIFICATION 114-5050
 INSTRUCTION SHEET IS-105J

- △ APPLICABLE WIRE FOR TWO-WIRE CRIMP
AWG #20 (VSF INSULATION DIAMETER φ2.4) × 2
- △ GOLD PLATED
TIN PLATED ON BARREL AREA OVER NER
NICKEL PLATED.



真鍮にメッキ (板厚0.25) GOLD PLATED BRASS (0.25t)	5171637-3
バラ端子 (LOOSE PIECE)	仕上 (FINISH MATERIAL) 型番 (P/N)

DWN Y.YAMADA	26JAN2006	MATERIAL 材料	SEE TABLE	WIRE INS RANGE 適用電線	0.5~1.3mm ² (#20-#16) △
CHK N.YAMASAKI	26JAN2006	Tyco Electronics AMP K.K. Kawasaki, Japan			
APVD N.YAMASAKI	26JAN2006				
PRODUCT SPEC 製品規格	SEE NOTE 1	NAME 名称	SOCKET CONTACT (MINI UNIVERSAL M-N-L)		
APPLICATION SPEC 取付適用規格	SEE NOTE 1	SIZE	CAGE CODE	DRAWING NO 番号	RESTRICTED TO
WEIGHT	—	A4	00779	C-5171637	—
CUSTOMER DRAWING		SCALE 尺度	4:1	SHEET 1	OF 1
				REV A	

THIS DRAWING IS UNPUBLISHED.

ALL RIGHTS RESERVED.

COPYRIGHT © BY TYCO ELECTRONICS CORPORATION.

THIS DRAWING IS UNPUBLISHED.