



Chipsmall Limited consists of a professional team with an average of over 10 year of expertise in the distribution of electronic components. Based in Hongkong, we have already established firm and mutual-benefit business relationships with customers from,Europe,America and south Asia,supplying obsolete and hard-to-find components to meet their specific needs.

With the principle of “Quality Parts,Customers Priority,Honest Operation,and Considerate Service”,our business mainly focus on the distribution of electronic components. Line cards we deal with include Microchip,ALPS,ROHM,Xilinx,Pulse,ON,Everlight and Freescale. Main products comprise IC,Modules,Potentiometer,IC Socket,Relay,Connector.Our parts cover such applications as commercial,industrial, and automotives areas.

We are looking forward to setting up business relationship with you and hope to provide you with the best service and solution. Let us make a better world for our industry!



## Contact us

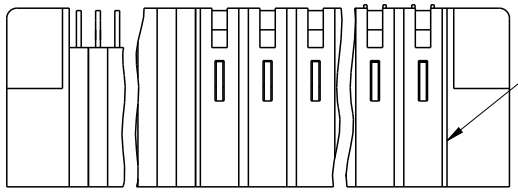
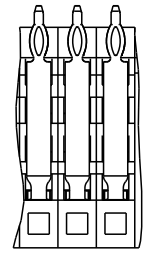
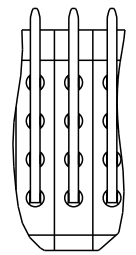
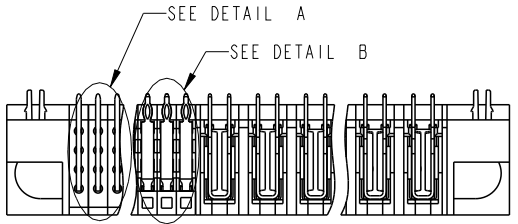
Tel: +86-755-8981 8866 Fax: +86-755-8427 6832

Email & Skype: info@chipsmall.com Web: www.chipsmall.com

Address: A1208, Overseas Decoration Building, #122 Zhenhua RD., Futian, Shenzhen, China

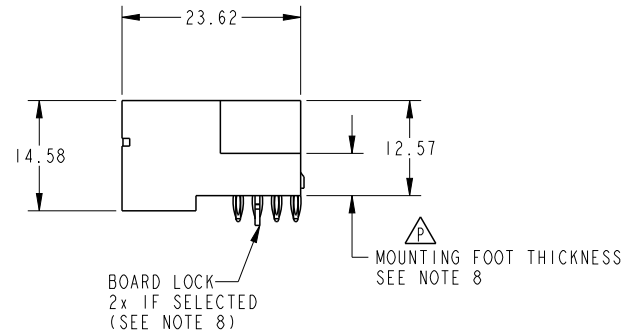
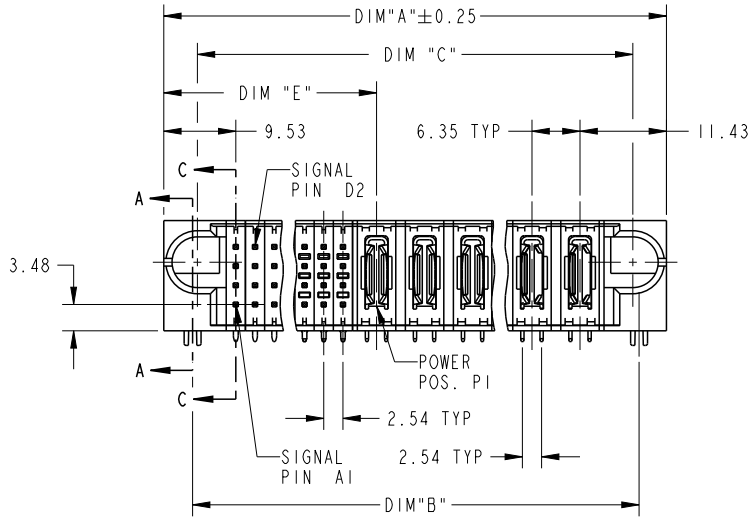


PRODUCT NUMBER  
51721-A00CCDDEF--  
SEE NOTE 1



△ DETAIL A  
SCALE 2:1  
FOR SOLDER TO BOARD ONLY

△ DETAIL B  
SCALE 2:1  
FOR PRESS FIT ONLY



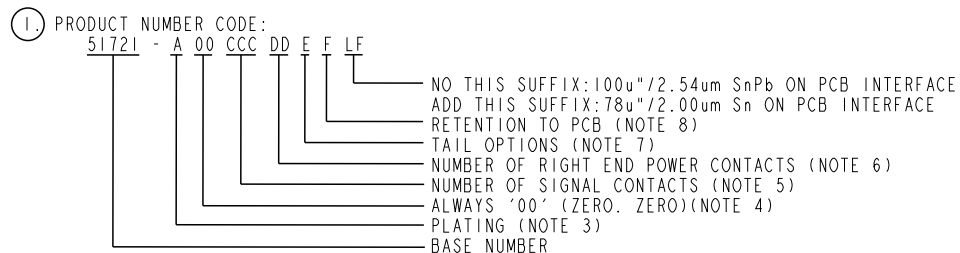
Copyright FCI.

spec ref	*	dr	Julia Wang	2006/09/20	projection 	MM ←→	size	A4	scale	1:1			
tolerance std	ASME Y14.5	eng	Ruan MT	2015/09/30			ecn no	ELX-DG-21593-1					
TOLERANCES UNLESS OTHERWISE SPECIFIED		chr	Fancy Zhang	2015/09/30			rel level	Released					
surface	✓	appr	Pei-Ming Zheng	2015/09/30	product family	PwrBlade	rev	51721	P				
ASME Y14.5	linear	0.X	±0.5		title	R/A HEADER WITH GUIDE PIN		dwg no	51721	rev			
		0.XX	±0.25			www.fci.com	cat. no.				51721	Product - Customer Drw	sheet 1 of 3
		0.XXX	±0.100										
	angular	0°	±2°										

ProjE File - REV C - 2009-06-09

PRODUCT NUMBER	DIM	LENGTH FORMULAS (SEE NOTE 10)
51721-A00CCDDEF--	DIM "A"	2.54 x (CCC/4) + 6.35 x DD + 16.51(NOTE 10)
SEE NOTE 1	DIM "B"	2.54 x (CCC/4) + 6.35 x DD + 8.89
	DIM "C"	2.54 x (CCC/4) + 6.35 x DD + 7.62
	DIM "E"	2.54 x (CCC/4) + 11.43
	DIM "F"	2.541 x (CCC/4) + 6.35 x DD + 17.27
	DIM "H"	2.54 x (CCC/4) + 6.35

CONNECTOR NOTES



②. HOUSING MATERIAL: GLASS FILLED V-O HIGH TEMP THERMO PLASTIC.  
 SIGNAL CONTACT MATERIAL: COPPER ALLOY  
 POWER CONTACT MATERIAL: COPPER ALLOY

③. PLATING OPTION:  
 1 = SEE PRINT 10064183 FOR PLATING SPEC OF 51721-100CCDDEF; 51721-100CCDDEFLF

④. THIS PART IS NOT AVAILABLE WITH LEFT SIDE POWER CONTACTS.

⑤. SIGNAL CONTACTS, 004 TO 148 AVAILABLE.

⑥. RIGHT END POWER CONTACTS, 01 TO 20 AVAILABLE.  
 MAXIMUM OF 20 POWER CONTACTS PER CONNECTOR.

△ ⑦. TAIL OPTIONS:  
 A = 3.43 SOLDER TO BOARD  
 B = 4.19 SOLDER TO BOARD  
 C = 3.43 PRESS FIT  
 D = 2.34 SOLDER TO BOARD

- ⑧. RETENTION TO PCB OPTIONS:  
 A = BOARD LOCK (REQUIRES 2.49 +0.05, -0.03 THRU HOLE IN PCB).  
 MOUNTING FOOT THICKNESS 5.59  
 B = 3.81 THRU HOLE (REQUIRES 4.01±0.07 THRU HOLE IN PCB).  
 MOUNTING FOOT THICKNESS 4.06  
 MOUNTING HOLES, WHERE APPLICABLE, ARE UNPLATED.
- ⑨. MANUFACTURE'S NAME, P/N, AND DATE CODE TO APPEAR ON THIS SURFACE.
- ⑩. THE MAXIMUM OVERALL LENGTH (DIM A) OF A PART IS 203.2
11. PRODUCT SPECIFICATION GS-12-149  
 APPLICATION SPECIFICATION BUS-20-067
12. REFERENCE 51697 FOR SELECT LOAD/FMLB WORKSHEET

PCB NOTES:

13. ALL DIMENSIONS ARE BASIC UNLESS OTHERWISE SPECIFIED.  
 14. ALL THROUGH HOLES ARE LOCATED WITH A TRUE POSITION OF 0.10  
 15. ALL HOLE DIAMETERS ARE FINISHED HOLE SIZE.  
 16. ∅1.151±0.025 DRILLED HOLES PLATED WITH 0.008 MIN SnPb OR Sn OVER 0.03 TO 0.08 Cu PLATING TO ACHIEVE A 1.02±0.07 HOLE.

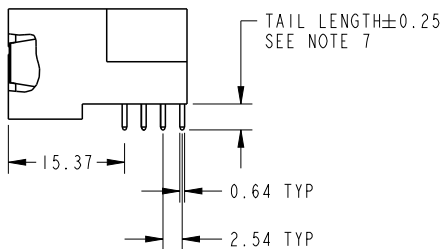
△ ⑬. A △ SYMBOL WILL BE NEXT TO ANY DIMENSION, VIEW, OR NOTE WHICH HAS BEEN MODIFIED WITH THE CURRENT DRAWING REVISION.  
 △ ⑭. CONNECTOR KEEP OUT ZONE

dr	Julia Wang	2006/09/20	projection 	MM 	size	A4	scale	1:1
eng	Ruan MT	2015/09/30			ecn no	ELX-DG-21593-1		
chr	Fancy Zhang	2015/09/30			rel level	Released		
appr	Pei-Ming Zheng	2015/09/30	product family	PwrBlade		rev	P	
		title	R/A HEADER WITH GUIDE PIN			dwg no	51721	
www.fci.com		cat. no.	51721	Product - Customer Drw			sheet 2 of 3	
		title	SIGNAL / POWER			rev	P	

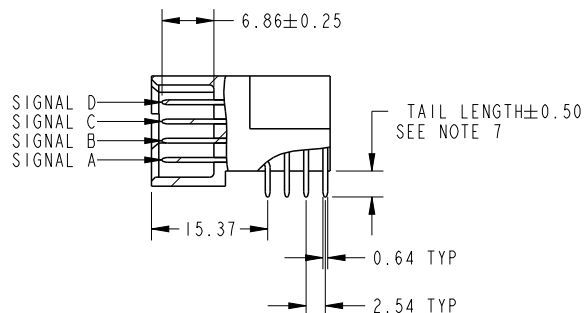
PRODUCT NUMBER

51721-A00CCDDEF\_..

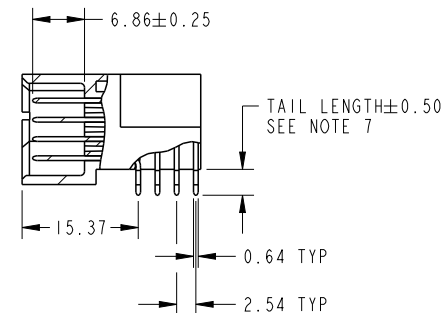
SEE NOTE 1



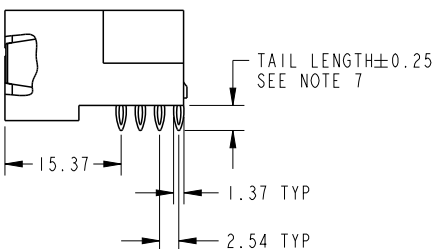
BROKEN-OUT SECTION B-B FOR SOLDER TO BOARD ONLY



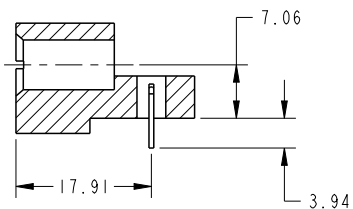
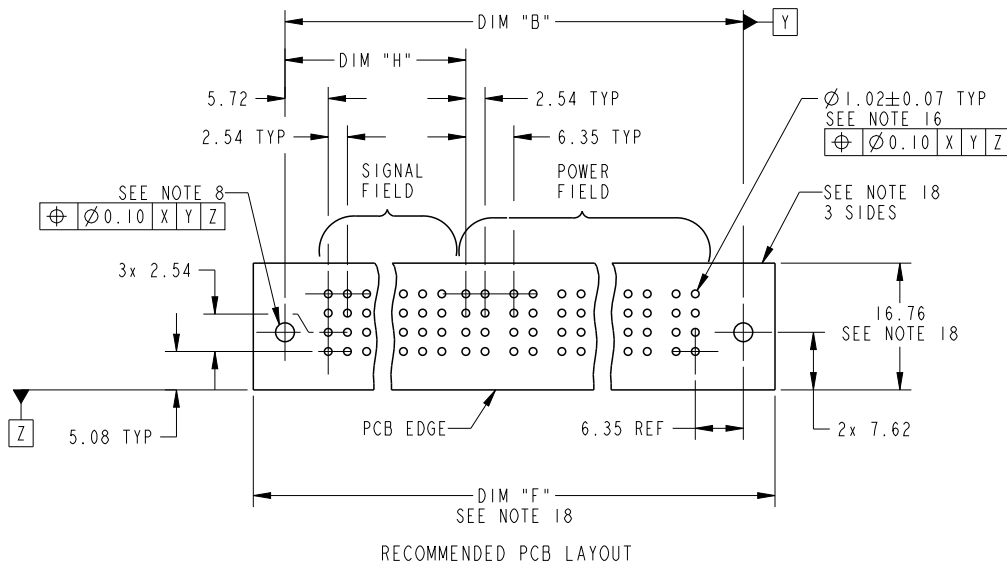
BROKEN-OUT SECTION C-C FOR SOLDER TO BOARD ONLY



BROKEN-OUT SECTION C-C FOR PRESS FIT ONLY



BROKEN-OUT SECTION B-B FOR POWER PRESS FIT ONLY



SECTION A-A

dr	Julia Wang	2006/09/20	projection	MM	size	A4	scale	1:1	
eng	Ruan MT	2015/09/30			ecn no	ELX-DG-21593-1			
chr	Fancy Zhang	2015/09/30				rel level	Released		
appr	Pei-Ming Zheng	2015/09/30	product family	PwrBlade					
			title	R/A HEADER WITH GUIDE PIN		dwg no	51721		
			cat. no.	51721		Product - Customer Drw		rev	P
www.fci.com					sheet 3 of 3				



Copyright FCI.