



Chipsmall Limited consists of a professional team with an average of over 10 year of expertise in the distribution of electronic components. Based in Hongkong, we have already established firm and mutual-benefit business relationships with customers from,Europe,America and south Asia,supplying obsolete and hard-to-find components to meet their specific needs.

With the principle of “Quality Parts,Customers Priority,Honest Operation,and Considerate Service”,our business mainly focus on the distribution of electronic components. Line cards we deal with include Microchip,ALPS,ROHM,Xilinx,Pulse,ON,Everlight and Freescale. Main products comprise IC,Modules,Potentiometer,IC Socket,Relay,Connector.Our parts cover such applications as commercial,industrial, and automotives areas.

We are looking forward to setting up business relationship with you and hope to provide you with the best service and solution. Let us make a better world for our industry!



## Contact us

Tel: +86-755-8981 8866 Fax: +86-755-8427 6832

Email & Skype: info@chipsmall.com Web: www.chipsmall.com

Address: A1208, Overseas Decoration Building, #122 Zhenhua RD., Futian, Shenzhen, China

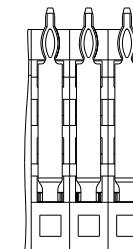
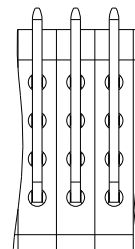
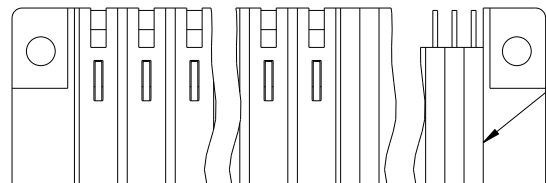
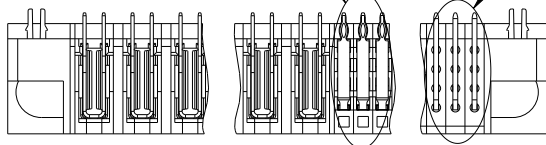


PRODUCT NUMBER

51722-ABBCCC00EF\_--

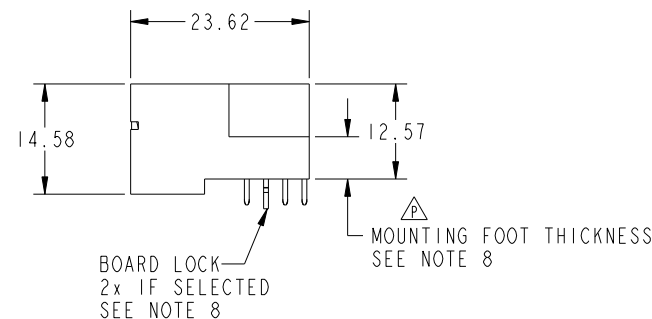
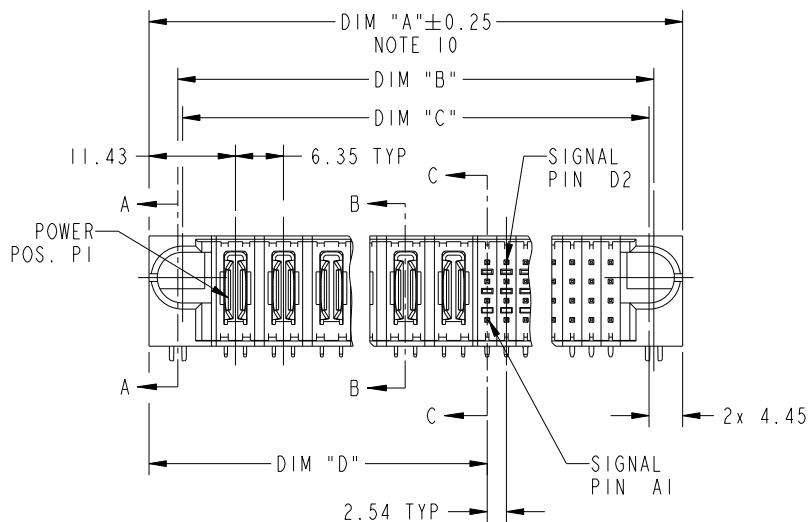
SEE NOTE 1

SEE DETAIL B SEE DETAIL A



DETAIL A  
SCALE 2:1  
FOR SOLDER TO BOARD ONLY

DETAIL B  
SCALE 2:1  
FOR PRESS FIT ONLY



Copyright FCI.

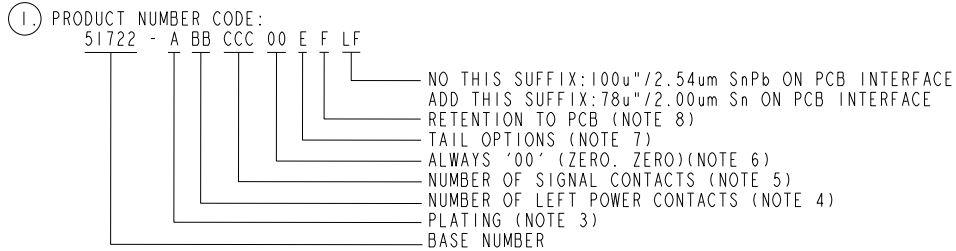
spec ref	*	dr	w wadmin	2006/05/26	projection	MM	size	A4	scale	1:1		
tolerance std	ASME Y14.5	eng	Ruan MT	2015/09/30			←→	ecn no	ELX-DG-21593-1			
TOLERANCES UNLESS OTHERWISE SPECIFIED		chr	Fancy Zhang	2015/09/30				product family	PwrBlade	rel level	Released	
surface	✓	appr	Pei-Ming Zheng	2015/09/30	title		R/A HEADER WITH GUIDE PIN		dwg no	51722	rev	P
ASME Y14.5	linear	0.X	±0.5		cat. no.		51722	Product - Customer Drw		sheet 1 of 3		
		0.XX	±0.25		www.fci.com							
		0.XXX	±0.100									
	angular	0°	±2°									

ProjE File - REV C - 2009-06-09

PRODUCT NUMBER
51722-ABBCCC00EF_--
SEE NOTE 1

DIM	LENGTH FORMULAS (SEE NOTE 10)
DIM "A"	6.35 x BB +2.54 x (CCC/4) +16.51(NOTE 10)
DIM "B"	6.35 x BB +2.54 x (CCC/4)+ 8.89
DIM "C"	6.35 x BB +2.54 x (CCC/4) + 7.62
DIM "D"	6.35 x BB + 9.53
DIM "F"	6.35 x BB +2.54 x (CCC/4) + 17.27
DIM "G"	6.35 x BB + 5.72

CONNECTOR NOTES



②. HOUSING MATERIAL: GLASS FILLED V-O HIGH TEMP THERMO PLASTIC.  
 SIGNAL CONTACT MATERIAL: COPPER ALLOY  
 POWER CONTACT MATERIAL: COPPER ALLOY

③. PLATING OPTION:  
 I = SEE PRINT 10064183 FOR PLATING SPEC OF 51722-1BBCCC00EF; 51722-1BBCCC00EFLF  
 B = SEE IN PRINT 10125789 FOR PLATING SPEC OF 51722-BBBCCC00EF; 51722-BBBCCC00EFLF

④. LEFT END POWER CONTACTS, 01 TO 20 AVAILABLE.  
 MAXIMUM OF 20 POWER CONTACTS PER CONNECTOR.

⑤. SIGNAL CONTACTS, 004 TO 148 AVAILABLE.

⑥. THIS PART IS NOT AVAILABLE WITH RIGHT SIDE POWER CONTACTS.

⚠ ⑦. TAIL OPTIONS:  
 A = 3.43 SOLDER TO BOARD  
 B = 4.19 SOLDER TO BOARD  
 C = 3.43 PRESS FIT  
 D = 2.34 SOLDER TO BOARD

- ⑧. RETENTION TO PCB OPTIONS:  
 A = BOARD LOCK (REQUIRES 2.49 +0.05, -0.03 THRU HOLE IN PCB).  
 MOUNTING FOOT THICKNESS 5.59  
 B = 3.81 THRU HOLE (REQUIRES 4.01±0.07 THRU HOLE IN PCB).  
 MOUNTING FOOT THICKNESS 4.06  
 MOUNTING HOLES, WHERE APPLICABLE, ARE UNPLATED.
- ⑨. MANUFACTURE'S NAME, P/N, AND DATE CODE TO APPEAR ON THIS SURFACE.
- ⑩. THE MAXIMUM OVERALL LENGTH (DIM A) OF A PART IS 203.2
11. PRODUCT SPECIFICATION GS-12-149  
 APPLICATION SPECIFICATION BUS-20-067
12. REFERENCE 51697 FOR SELECT LOAD/FMLB WORKSHEET

PCB NOTES:

13. ALL DIMENSIONS ARE BASIC UNLESS OTHERWISE SPECIFIED.  
 14. ALL THROUGH HOLES ARE LOCATED WITH A TRUE POSITION OF 0.10  
 15. ALL HOLE DIAMETERS ARE FINISHED HOLE SIZE.  
 16.  $\varnothing 1.151 \pm 0.025$  DRILLED HOLES PLATED WITH 0.008 MIN SnPb OR Sn OVER 0.03 TO 0.08 Cu PLATING TO ACHIEVE A  $1.02 \pm 0.07$  HOLE.  
 17. A  $\Delta$  SYMBOL WILL BE NEXT TO ANY DIMENSION, VIEW, OR NOTE WHICH HAS BEEN MODIFIED WITH THE CURRENT DRAWING REVISION.  
 18. CONNECTOR KEEP OUT ZONE



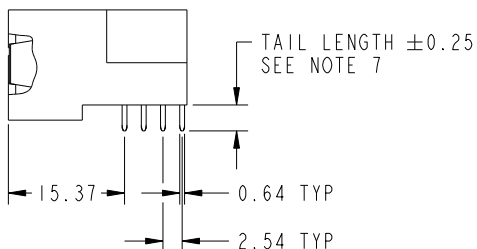
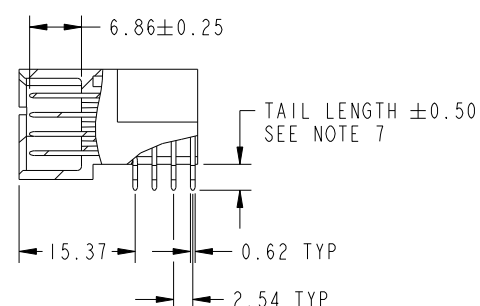
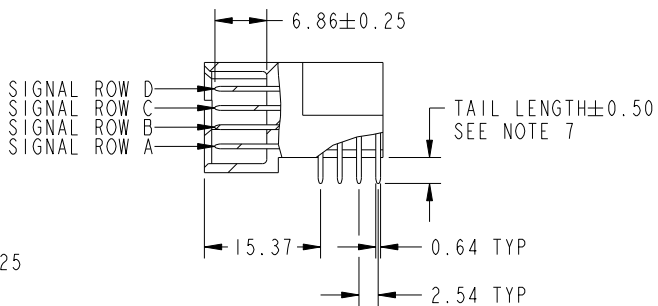
Copyright FCI.

dr	w wadmin	2006/05/26	projection 	MM 	size	A4	scale	1:1
eng	Ruan MT	2015/09/30			ecn no	ELX-DG-21593-1		
chr	Fancy Zhang	2015/09/30			rel level	Released		
appr	Pei-Ming Zheng	2015/09/30	product family	PwrBlade	rev	51722		
		title	R/A HEADER WITH GUIDE PIN			dwg no	51722	
www.fci.com		cat. no.	51722	Product - Customer Drw			sheet	2 of 3

PRODUCT NUMBER

51722-ABBCCC00EF\_..

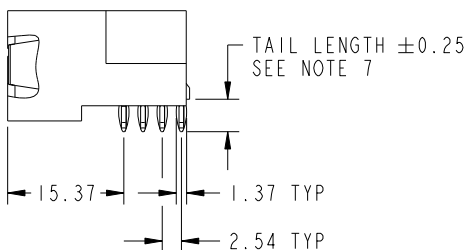
SEE NOTE 1



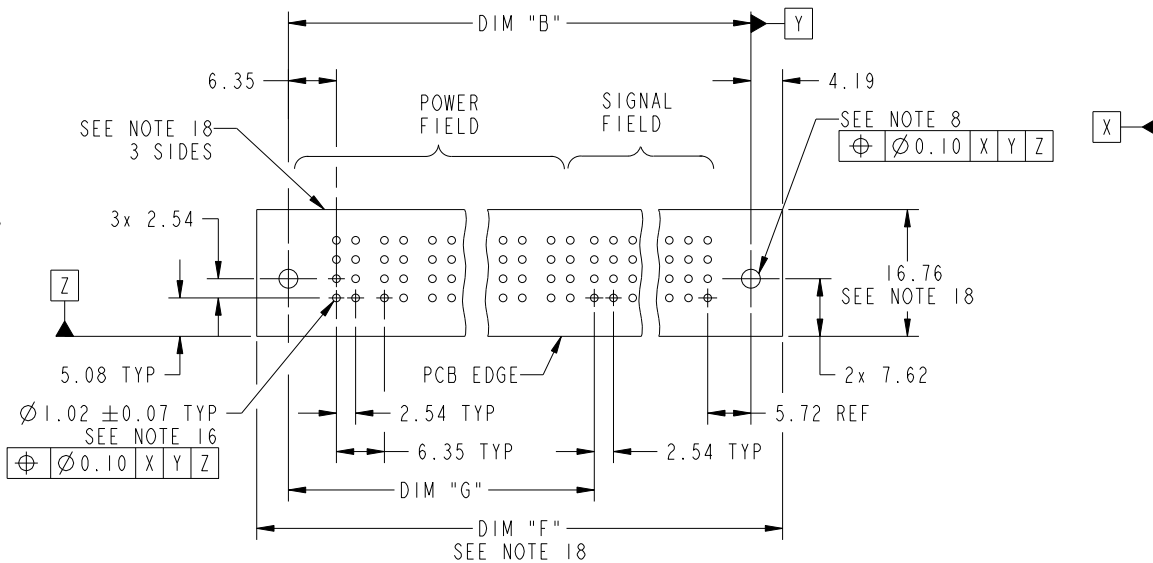
⚠ BROKEN-OUT SECTION C-C FOR SOLDER TO BOARD ONLY

⚠ BROKEN-OUT SECTION C-C FOR PRESS FIT ONLY

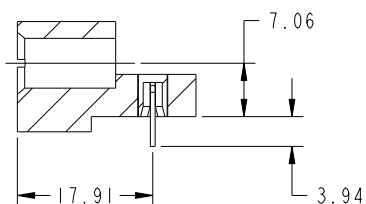
⚠ BROKEN-OUT SECTION B-B FOR SOLD TO BOARD ONLY



⚠ BROKEN-OUT SECTION B-B FOR PRESS FIT ONLY



RECOMMENDED PCB LAYOUT



SECTION A-A

dr	w wadmin	2006/05/26	projection 	MM ←→	size	A4	scale	1:1
eng	Ruan MT	2015/09/30			ecn no	ELX-DG-21593-1		
chr	Fancy Zhang	2015/09/30			rel level	Released		
appr	Pei-Ming Zheng	2015/09/30	product family	PwrBlade				
			title	R/A HEADER WITH GUIDE PIN	dwg no	51722		rev
www.fci.com			cat. no.	51722	Product - Customer Drw		sheet 3 of 3	
								P



Copyright FCI.