



Chipsmall Limited consists of a professional team with an average of over 10 year of expertise in the distribution of electronic components. Based in Hongkong, we have already established firm and mutual-benefit business relationships with customers from,Europe,America and south Asia,supplying obsolete and hard-to-find components to meet their specific needs.

With the principle of "Quality Parts,Customers Priority,Honest Operation,and Considerate Service",our business mainly focus on the distribution of electronic components. Line cards we deal with include Microchip,ALPS,ROHM,Xilinx,Pulse,ON,Everlight and Freescale. Main products comprise IC,Modules,Potentiometer,IC Socket,Relay,Connector.Our parts cover such applications as commercial,industrial, and automotives areas.

We are looking forward to setting up business relationship with you and hope to provide you with the best service and solution. Let us make a better world for our industry!



## Contact us

Tel: +86-755-8981 8866 Fax: +86-755-8427 6832

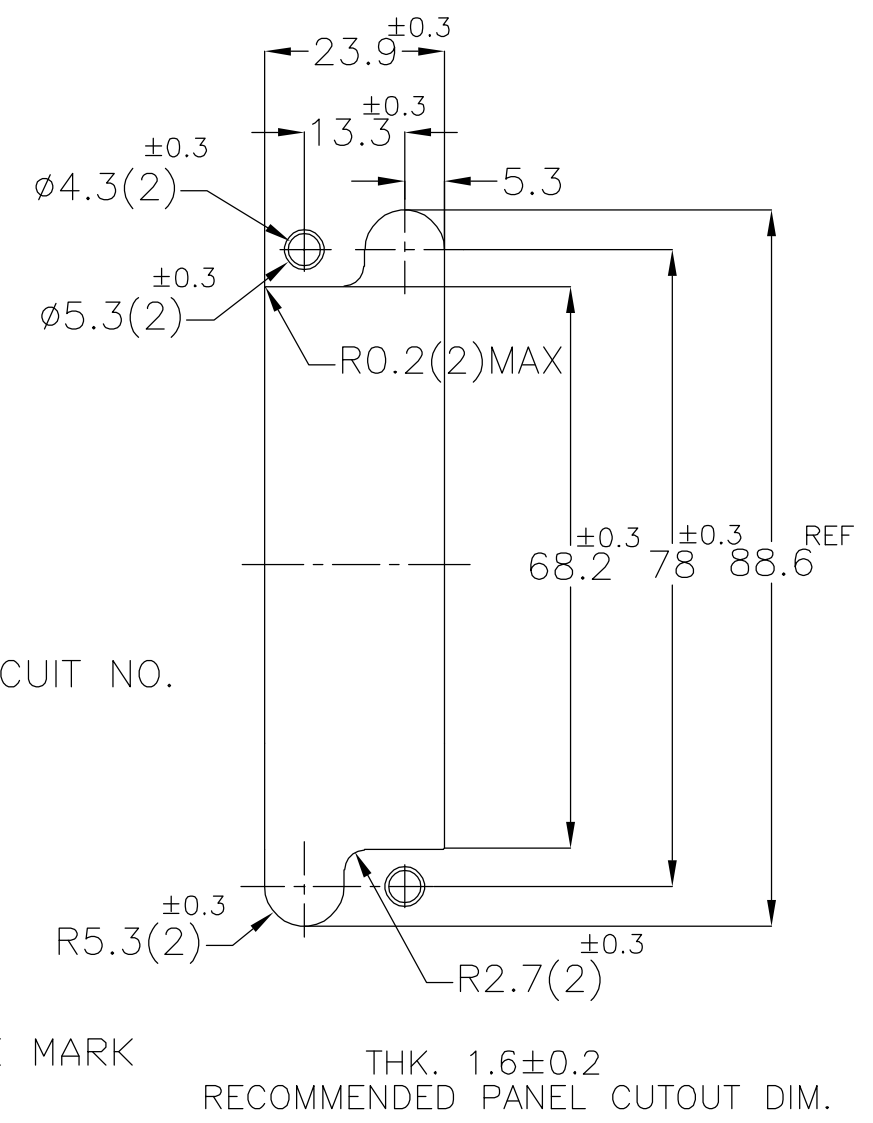
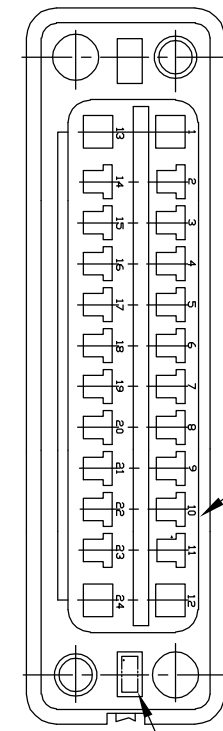
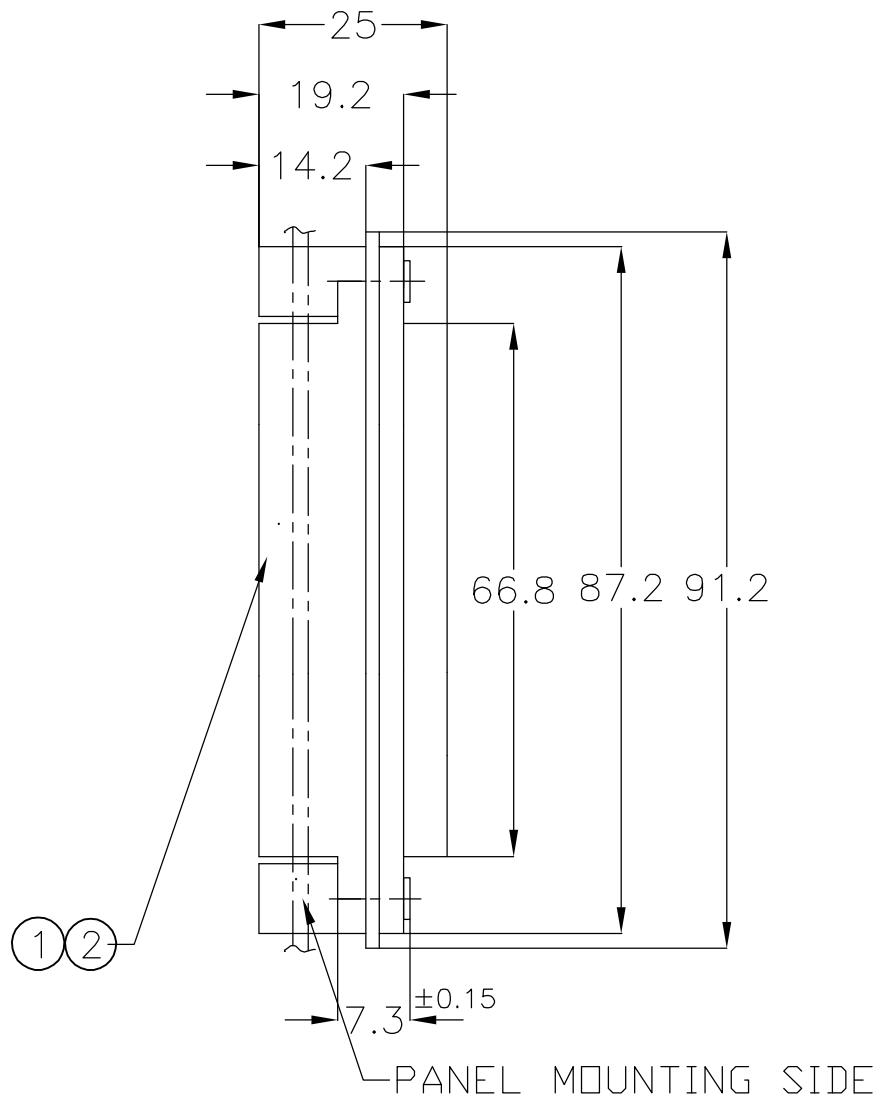
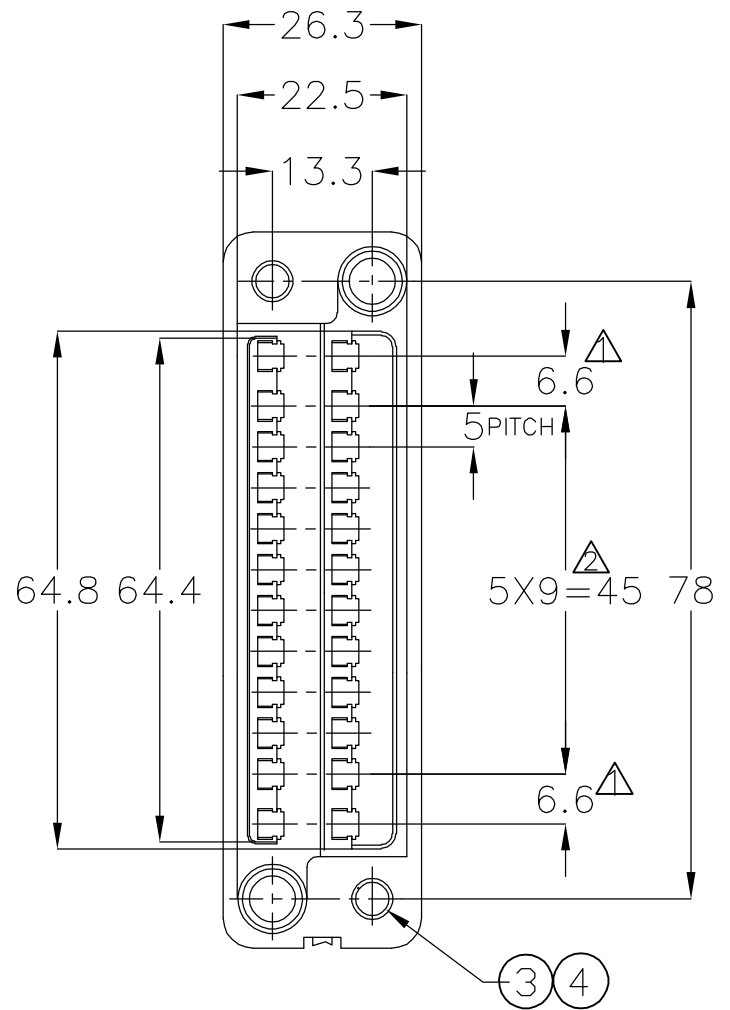
Email & Skype: info@chipsmall.com Web: www.chipsmall.com

Address: A1208, Overseas Decoration Building, #122 Zhenhua RD., Futian, Shenzhen, China



THIS DRAWING IS UNPUBLISHED. RELEASED FOR PUBLICATION  
 © COPYRIGHT - BY TYCO ELECTRONICS CORPORATION. ALL RIGHTS RESERVED.

LOC	DIST	REVISIONS					
		P	LTR	DESCRIPTION	DATE	DWN	APVD
J	-	A	RELEASED	ECR-05-009552	26JUL05	C.Z	S.Y



NOTES:  
 1. FOR POWER CURCUITS (4POS).  
 2. FOR SIGNAL CURCUITS (20POS).  
 3. ACCOMOMDATED CONTACTS ARE STRIP P/N 170311, 170312, 170484 L.P P/N 170313, 170314, 170485  
 4. MALE HSG P/N IS 172624-1,-3.  
 MATERIAL:  
 HOUSING: PBT 94V-0  
 BUSH: JIS H3250, C3602 BD-F  
 FINISH:  
 NICKEL PLATED PER AMP SPEC 112-25.

REV	NO	DESCRIPTION	DATE	BY	CHK	REMARKS	ITEM No.	
2	-	1-172065-3				(4mm)	4	
-	2	1-172065-1				FLOATING BUSH ASS'Y (3mm)	3	
1	-	172626-3				24 POS. (4mm)	2	
-	1	172626-1				24P DRAWER CONN.FEMAIL HSG 24 POS. (3mm)	1	
-3	-1	NUMBER				NAME	REMARKS	ITEM No.

THIS DRAWING IS A CONTROLLED DOCUMENT.		DWN C.ZHU 25JUL05	Tyco Electronics AMP K.K. Kawasaki, Japan		
DIMENSIONS: mm		CHK I.WANG 26JUL05	Tyco Electronics		
TOLERANCES UNLESS OTHERWISE SPECIFIED:		APVD S.YAO 26JUL05	NAME 24POS. FEMALE HSG ASS'Y DRAWER CONN.		
0 PLC ± 0.4 1 PLC ± 0.4 2 PLC ± 0.4 3 PLC ± 0.4 4 PLC ± 0.4 ANGLES ± -		PRODUCT SPEC -	SIZE A3	CAGE CODE 00779	DRAWING NO C-5172625
MATERIAL		APPLICATION SPEC -	RESTRICTED TO -	CUSTOMER DRAWING	
FINISH		WEIGHT -	SCALE 1:1	SHEET 1 OF 1	REV A