



Chipsmall Limited consists of a professional team with an average of over 10 year of expertise in the distribution of electronic components. Based in Hongkong, we have already established firm and mutual-benefit business relationships with customers from,Europe,America and south Asia,supplying obsolete and hard-to-find components to meet their specific needs.

With the principle of "Quality Parts,Customers Priority,Honest Operation,and Considerate Service",our business mainly focus on the distribution of electronic components. Line cards we deal with include Microchip,ALPS,ROHM,Xilinx,Pulse,ON,Everlight and Freescale. Main products comprise IC,Modules,Potentiometer,IC Socket,Relay,Connector.Our parts cover such applications as commercial,industrial, and automotives areas.

We are looking forward to setting up business relationship with you and hope to provide you with the best service and solution. Let us make a better world for our industry!



## Contact us

Tel: +86-755-8981 8866 Fax: +86-755-8427 6832

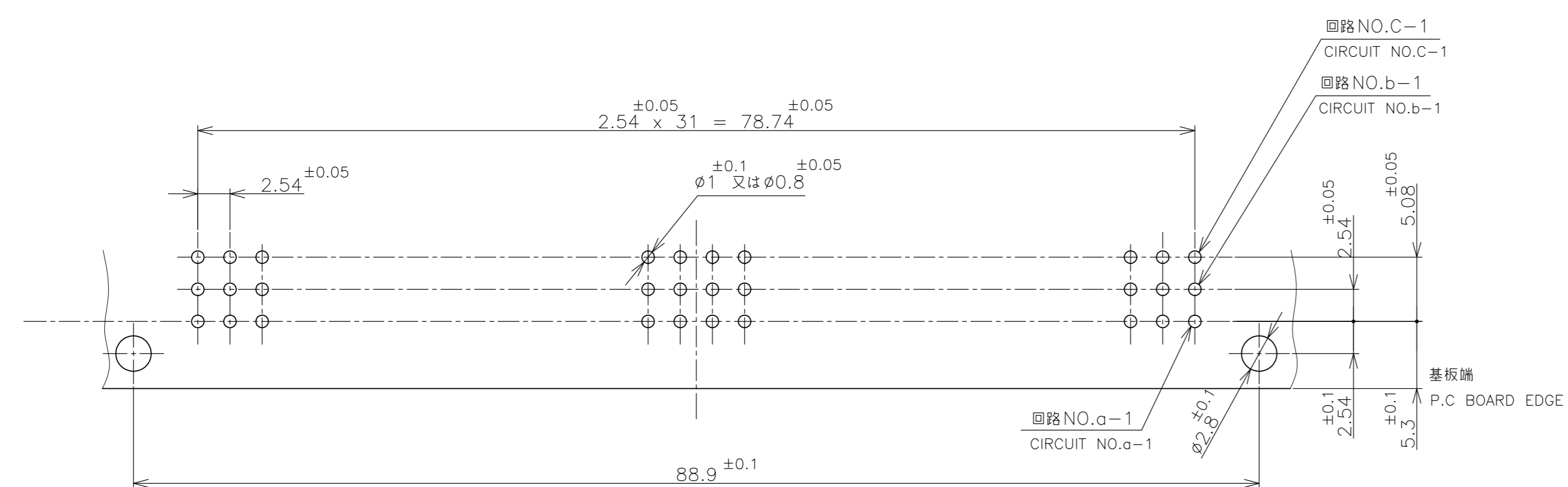
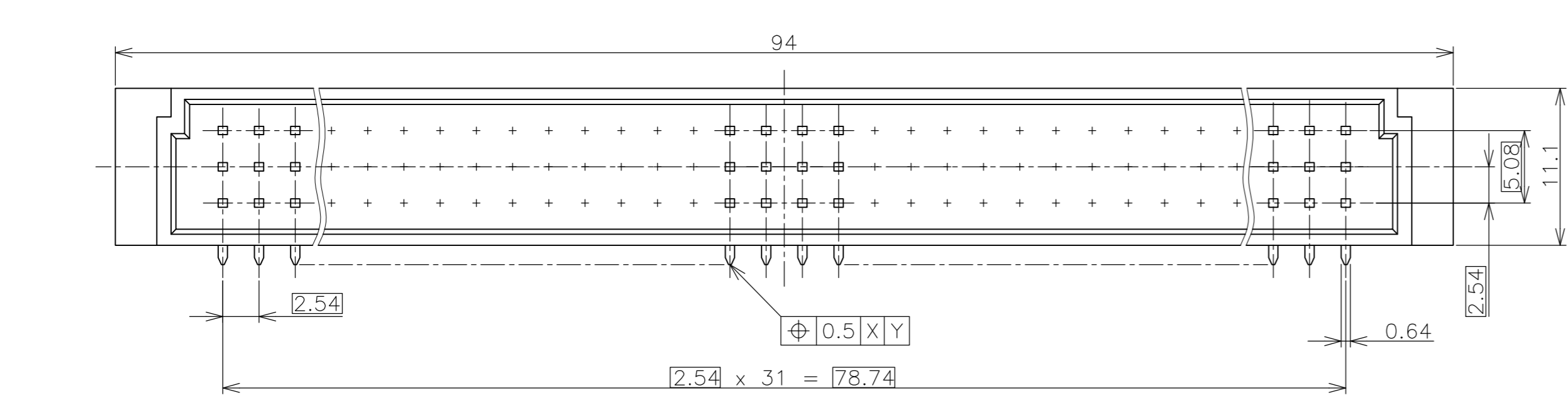
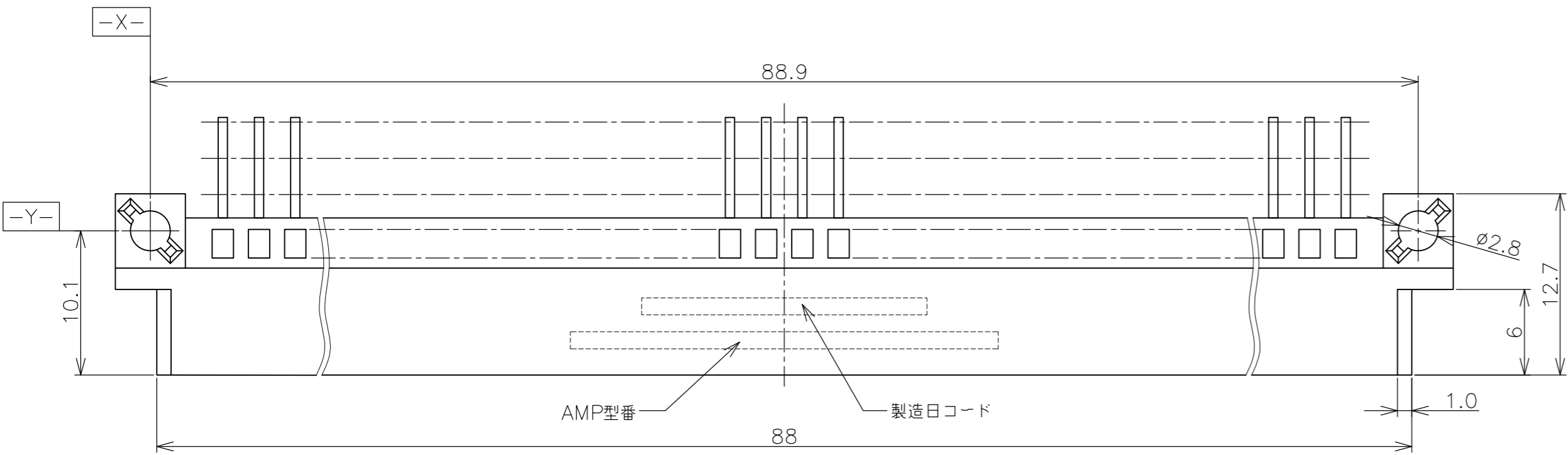
Email & Skype: info@chipsmall.com Web: www.chipsmall.com

Address: A1208, Overseas Decoration Building, #122 Zhenhua RD., Futian, Shenzhen, China

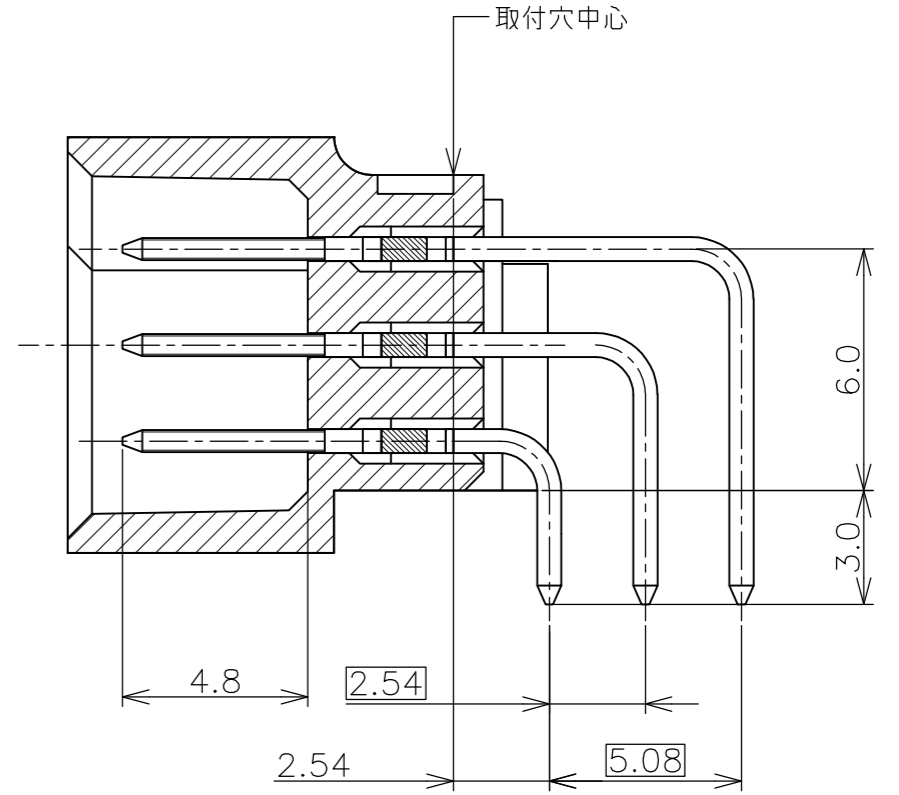


THIS DRAWING IS UNPUBLISHED. RELEASED FOR PUBLICATION NOV., 2004.  
 © COPYRIGHT 2004 BY TYCO ELECTRONICS CORPORATION. ALL RIGHTS RESERVED.

LOC	DIST	REVISIONS					
J		P	LTR	DESCRIPTION	DATE	DWN	APVD
		0		RELEASED FJBO-1086-04	30NOV04	T.K	K.I
		01		REVISED PER ECO-10-000444	19JAN10	KK	HMR



P.C. BOARD LAYOUT DIMENSIONS  
 プリント基板 取付寸法  
 (コネクタ搭載面)



- 1 材料 : コンタクト: 黄銅  
ハウジング: 熱可塑性ポリエステル樹脂 (灰色)
- 2 表面仕上: (コンタクト)

型番	下地めっき	タイン部	コンタクト接触部
5174111-1	ニッケル	錫めっき	金めっき (0.2 $\mu$ )
5174111-2	ニッケル	錫めっき	金めっき (0.8 $\mu$ )
<b>3</b> OBSOLETE 5174111-4	ニッケル	錫めっき	金めっき (0.4 $\mu$ )

- 1 MATERIAL : CONT: BRASS  
HSG: POLYESTER (GRAY)
- 2 FINISH :

P/N	UNDER COATING	TINE AREA	CONTACT AREA
5174111-1	Ni-PL.	TIN PL.	SELECTIVE (Au 0.2 $\mu$ )
5174111-2	Ni-PL.	TIN PL.	SELECTIVE (Au 0.8 $\mu$ )
<b>3</b> OBSOLETE 5174111-4	Ni-PL.	TIN PL.	SELECTIVE (Au 0.4 $\mu$ )

**3** OBSOLETE PARTS: OBSOLETE CIS STREAMLINING PER D.RENAUD/D.SINISI

THIS DRAWING IS A CONTROLLED DOCUMENT.		DWN T.KIMURA 30NOV04	Tyco Electronics AMP K.K. Kawasaki, Japan	
DIMENSIONS: 単位: 概 mm		CHK K.IKEGAMI 30NOV04	NAME 名称	
TOLERANCES UNLESS OTHERWISE SPECIFIED: 一般公差		APVD K.IKEGAMI 30NOV04	IEC CONN. TYPE C MALE ASSY (96 POS)	
0 PLC $\pm 0.2$ 1 PLC $\pm 0.2$ 2 PLC $\pm 0.2$ 3 PLC $\pm 0.2$ 4 PLC $\pm 0.2$ ANGLES $\pm 3^\circ$		PRODUCT SPEC 製品規格	SIZE A2	CAGE CODE 00779
MATERIAL 材料 SEE NOTE		APPLICATION SPEC 取付適用規格	DRAWING NO 番号 C=5174111	RESTRICTED TO
FINISH 仕上 SEE TABLE		WEIGHT	SCALE 尺度 NTS	SHEET 1 OF 1
		CUSTOMER DRAWING	REV 01	