



Chipsmall Limited consists of a professional team with an average of over 10 year of expertise in the distribution of electronic components. Based in Hongkong, we have already established firm and mutual-benefit business relationships with customers from,Europe,America and south Asia,supplying obsolete and hard-to-find components to meet their specific needs.

With the principle of “Quality Parts,Customers Priority,Honest Operation,and Considerate Service”,our business mainly focus on the distribution of electronic components. Line cards we deal with include Microchip,ALPS,ROHM,Xilinx,Pulse,ON,Everlight and Freescale. Main products comprise IC,Modules,Potentiometer,IC Socket,Relay,Connector.Our parts cover such applications as commercial,industrial, and automotives areas.

We are looking forward to setting up business relationship with you and hope to provide you with the best service and solution. Let us make a better world for our industry!



## Contact us

Tel: +86-755-8981 8866 Fax: +86-755-8427 6832

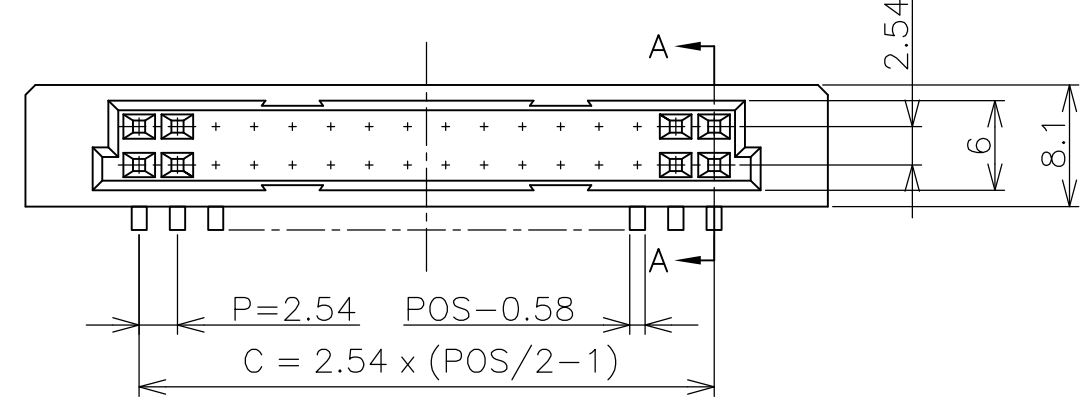
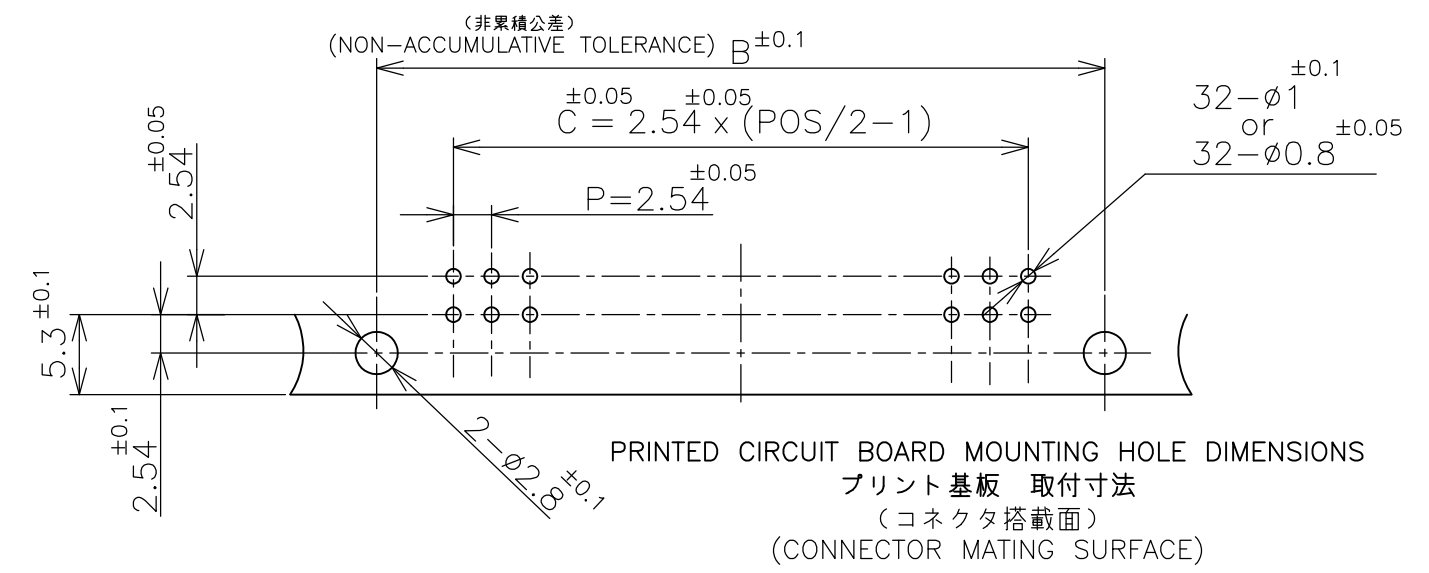
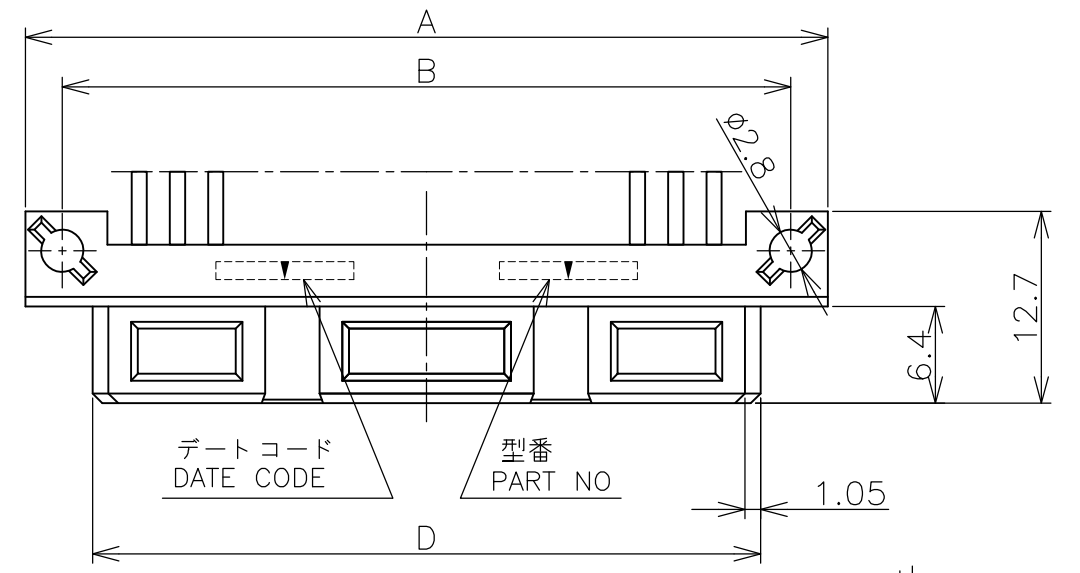
Email & Skype: info@chipsmall.com Web: www.chipsmall.com

Address: A1208, Overseas Decoration Building, #122 Zhenhua RD., Futian, Shenzhen, China

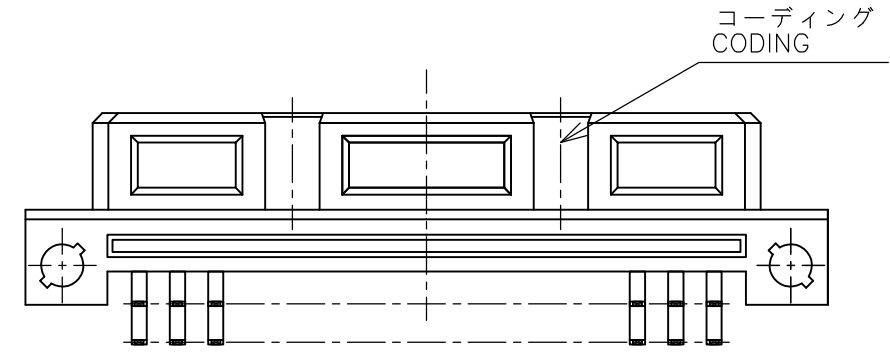


THIS DRAWING IS UNPUBLISHED. RELEASED FOR PUBLICATION NOV, 2004.  
 © COPYRIGHT 2004 BY TYCO ELECTRONICS CORPORATION. ALL RIGHTS RESERVED.

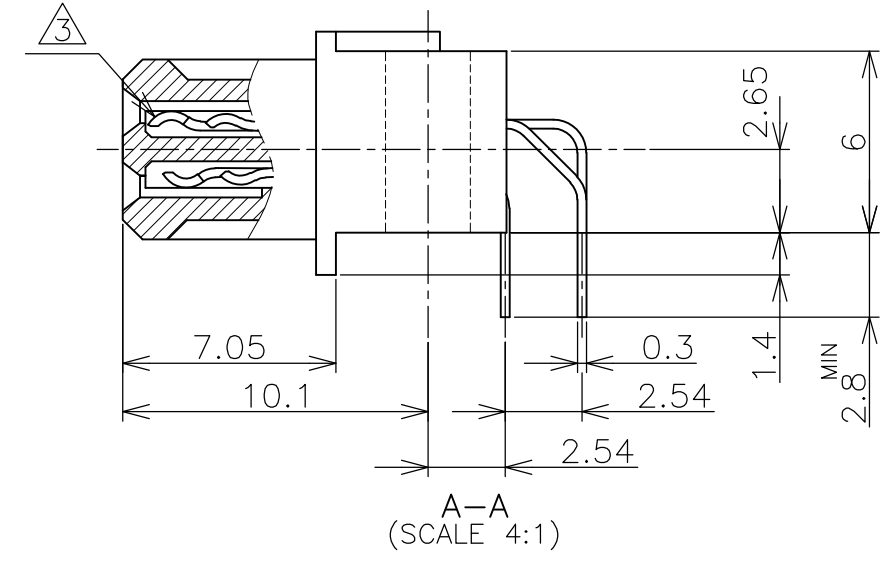
LOC	DIST	REVISIONS			DATE	DWN	APVD
		P	LTR	DESCRIPTION			
J		A	REVISED	ECR-08-020578	18NOV08	T.T	T.F



- 材料: コンタクト: 燐青銅  
ハウジング: 熱可塑性ポリエステル樹脂、灰色
  - 表面仕上げ (コンタクト)
- | 下地めっき | タイン部 | コンタクト接触部          | その他  |
|-------|------|-------------------|------|
| ニッケル  | 錫めっき | 金めっき (0.2 $\mu$ ) | 封孔処理 |
3. グランドコンタクト: b列 NO.1, 32 に配置 (2箇所) - 64極 (P/N 5174253-2)  
: b列 NO.1, 16 及び 5b に配列 (3箇所) - 32極 (5174253-3)  
P/N 5174253-1 32極 b列 NO.1, 16 にグランド配列 (2箇所)  
緒寸法は -3 と同様  
P/N 5174253-4 64極 b列 NO.1, 32 及び 2b, 31b にグランド配列 (4箇所)  
緒寸法は -2 と同様



- MATERIAL: CONTACT: PHOSPHOR BRONZE  
HOUSING: THERMOPLASTIC POLYESTER RESIN, GRAY
  - FINISH (CONTACT)
- | UNDER PLATE | TINE AREA | CONTACT AREA     | REMAINDER AREA  |
|-------------|-----------|------------------|-----------------|
| NICKEL      | TIN       | GOLD(0.2 $\mu$ ) | PORPSITY SEALED |
3. GROUNDING CONTACTS: ON NO.1 & NO.32(2 PL) IN ROW b FOR 64-POS. (P/N 5174253-2)  
ON NO.1 & NO.16 AND NO.5b(3 PL) FOR 32-POS. (P/N 5174253-3)  
GROUNDING CONTACTS: ON NO.1 & NO.16(2 PL) IN b ROW FOR 32-POS. (P/N 5174253-1)  
DIMENSIONS TYPICAL TO -3.  
GROUNDING CONTACTS: ON NO.1 & NO.32 AND NO.2b, 31b(4 PL) (P/N 5174253-4)  
DIMENSIONS TYPICAL TO -2.



	-2, -4	64	93.8	88.9	78.74	84.9	6, 13, 20, 27
	5174253-1, -3	32	53.1	48.24	38.1	44.2	4.12
PART NO.	POS	A	B	C	D	CODING LOCATIONS	

THIS DRAWING IS A CONTROLLED DOCUMENT.		DWN T.KIMURA 30NOV04	Tyco Electronics Corporation Kawasaki, Japan				
DIMENSIONS: 単位: 耗 mm		CHK K.IKEGAMI 30NOV04					
TOLERANCES UNLESS OTHERWISE SPECIFIED: 一般公差		APVD K.IKEGAMI 30NOV04	NAME 名称 DR DIN CONN. FEMALE ASSY WITH GROUND				
0 PLC $\pm 0.2$ 1 PLC $\pm 0.2$ 2 PLC $\pm 0.2$ 3 PLC $\pm 0.2$ 4 PLC $\pm 0.2$ ANGLES $\pm 3'$		PRODUCT SPEC 製品規格	SIZE A3				
MATERIAL 材料 SEE NOTE		APPLICATION SPEC 取付適用規格	CAGE CODE 00779	DRAWING NO 番号 G-5174253		RESTRICTED TO	
FINISH 仕上 SEE NOTE		WEIGHT	SCALE 尺度 2:1		SHEET 1 OF 1		REV A
CUSTOMER DRAWING							