



Chipsmall Limited consists of a professional team with an average of over 10 year of expertise in the distribution of electronic components. Based in Hongkong, we have already established firm and mutual-benefit business relationships with customers from,Europe,America and south Asia,supplying obsolete and hard-to-find components to meet their specific needs.

With the principle of “Quality Parts,Customers Priority,Honest Operation,and Considerate Service”,our business mainly focus on the distribution of electronic components. Line cards we deal with include Microchip,ALPS,ROHM,Xilinx,Pulse,ON,Everlight and Freescale. Main products comprise IC,Modules,Potentiometer,IC Socket,Relay,Connector.Our parts cover such applications as commercial,industrial, and automotives areas.

We are looking forward to setting up business relationship with you and hope to provide you with the best service and solution. Let us make a better world for our industry!



Contact us

Tel: +86-755-8981 8866 Fax: +86-755-8427 6832

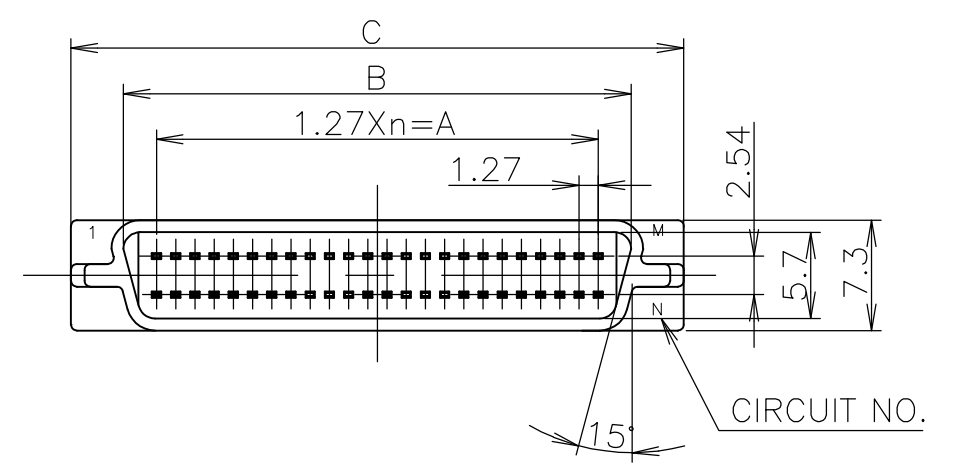
Email & Skype: info@chipsmall.com Web: www.chipsmall.com

Address: A1208, Overseas Decoration Building, #122 Zhenhua RD., Futian, Shenzhen, China

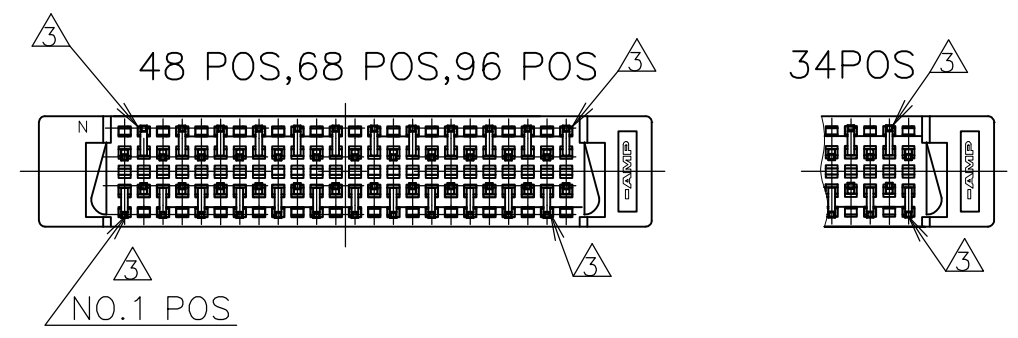
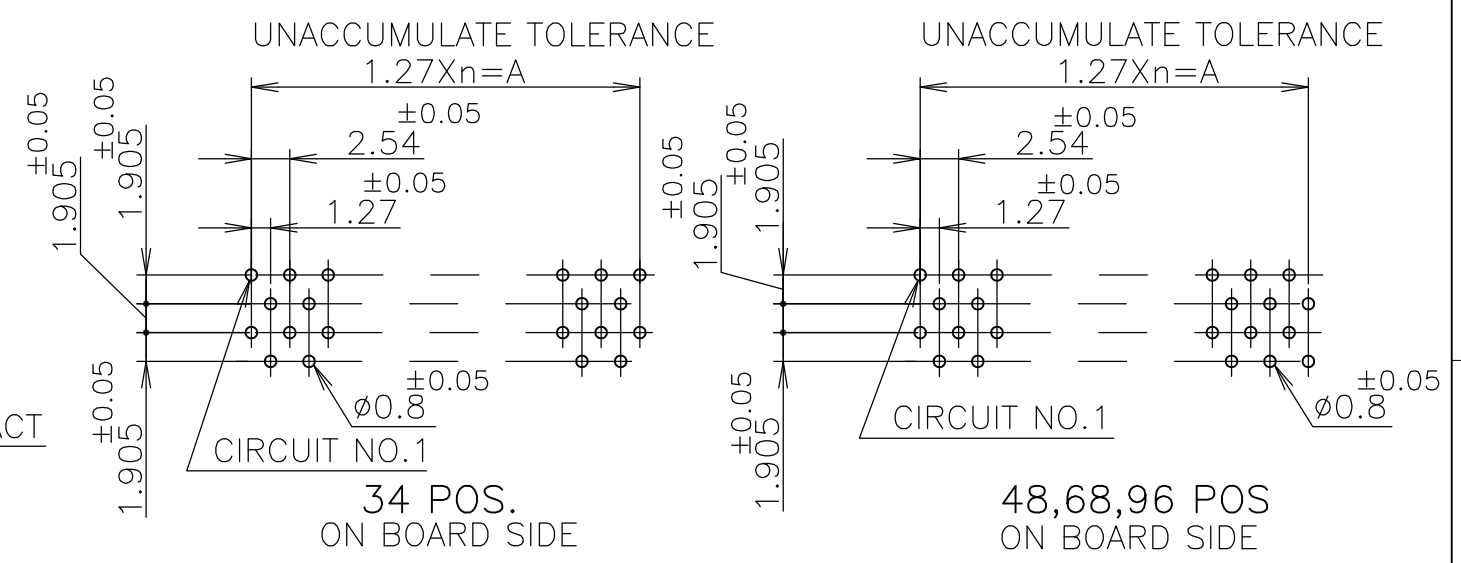
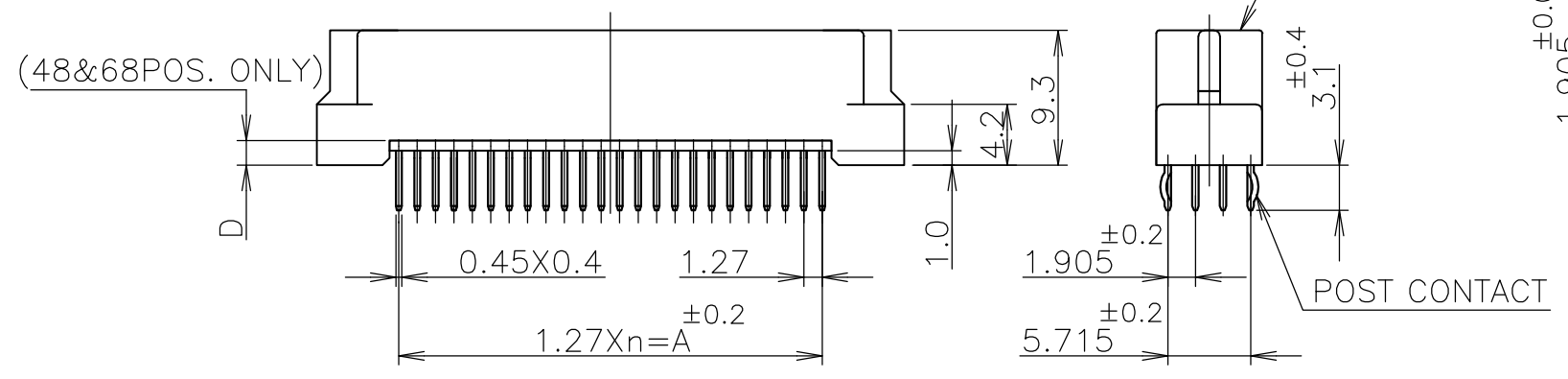


THIS DRAWING IS UNPUBLISHED. RELEASED FOR PUBLICATION AUG. 2005.
 © COPYRIGHT 2005 By - ALL RIGHTS RESERVED.

LOC	DIST	REVISIONS					
J	/	P	LTR	DESCRIPTION	DATE	DWN	APVD
		R		REVISED PER ECO-15-002720	02MAR2015	AP	SB



- 1 MATERIAL AND FINISH
 CAP HOUSING ; THERMOPLASTIC (UL94V-0) COLOR:BLACK
 POST CONTACT ; COPPER ALLOY FINISH,OVER NICKEL
 MATING END:0.0002 MIN. OR 0.00076 MIN. GOLD
 TERMINATION END:TIN OVER SEALING TREATMENT.
- 2 P.C.B. LAYOUT AND P.C.B. TREATMENT(REF.)
 USE A P.C.B. SURFACE ARE TREATED WITH SOLDER RESIST.
- 3 KINK POSITIONS(4 POSITIONS).
- 4 OBSOLETE PARTS: OBSOLETE CIS STREAMLINING PER D.RENAUD/D.SINISI



REMARK	N	M	DIMENSION					n	POS.	PART NO.	
			A	B	C	D					
4 OBSOLETE	Au PL. 0.00076 MIN.	96	48	59.69	64.06	71.00	—	47	96	6—	—8
		68	34	41.91	46.28	53.22	1.7	33	68	6—	—7
		48	24	29.21	33.58	40.52	1.7	23	48	6—	—6
		34	17	20.32	24.69	31.63	—	16	34	6—	—5
4 OBSOLETE	Au PL. 0.0002 MIN.	96	48	59.69	64.05	71.00	—	47	96		—8
		68	34	41.91	46.28	53.22	1.7	33	68		—7
		48	24	29.21	33.58	40.52	1.7	23	48		—6
		34	17	20.32	24.69	31.63	—	16	34		—5

GENERAL TOLERANCE
 一般公差
 10 ≥ : ±0.2
 30 ≥ > 10: ±0.25
 100 ≥ > 30: ±0.3
 ANGLES: ±3°

THIS DRAWING IS A CONTROLLED DOCUMENT.

DIMENSIONS: 単位: 耗 mm

TOLERANCES UNLESS OTHERWISE SPECIFIED: 一般公差

0 PLC ± -
 1 PLC ± -
 2 PLC ± -
 3 PLC ± -
 4 PLC ± -
 ANGLES ± -

MATERIAL 材料

FINISH 仕上

DWN T.KAWAMAE 04AUG05
 CHK T.SASAKI 04AUG05
 APVD T.SASAKI 04AUG05

PRODUCT SPEC 製品規格
 APPLICATION SPEC 取付適用規格

WEIGHT

CUSTOMER DRAWING

SCALE 尺度 2:1

SHEET 1 OF 1

REV R

RESTRICTED TO

STE TE Connectivity

NAME 名称
 CAP ASSY VERTICAL (W/KINK)
 AMPLIMITE 050 SERIES I B-TO-B CONN.

SIZE A3
 CAGE CODE 00779
 DRAWING NO 番号 C-5174683