



Chipsmall Limited consists of a professional team with an average of over 10 year of expertise in the distribution of electronic components. Based in Hongkong, we have already established firm and mutual-benefit business relationships with customers from,Europe,America and south Asia,supplying obsolete and hard-to-find components to meet their specific needs.

With the principle of “Quality Parts,Customers Priority,Honest Operation,and Considerate Service”,our business mainly focus on the distribution of electronic components. Line cards we deal with include Microchip,ALPS,ROHM,Xilinx,Pulse,ON,Everlight and Freescale. Main products comprise IC,Modules,Potentiometer,IC Socket,Relay,Connector.Our parts cover such applications as commercial,industrial, and automotives areas.

We are looking forward to setting up business relationship with you and hope to provide you with the best service and solution. Let us make a better world for our industry!



## Contact us

Tel: +86-755-8981 8866 Fax: +86-755-8427 6832

Email & Skype: info@chipsmall.com Web: www.chipsmall.com

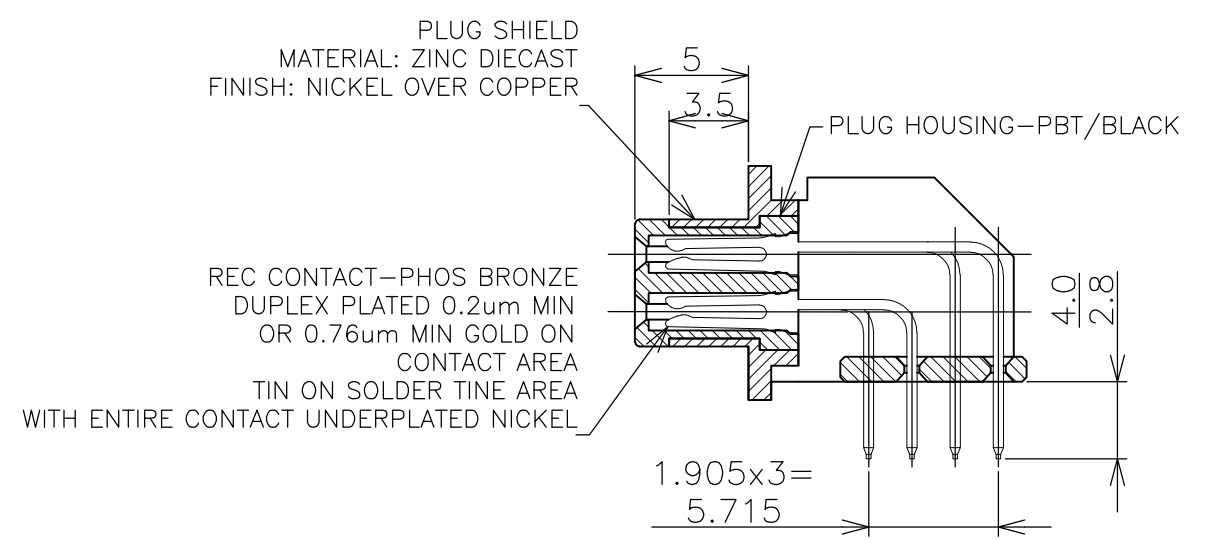
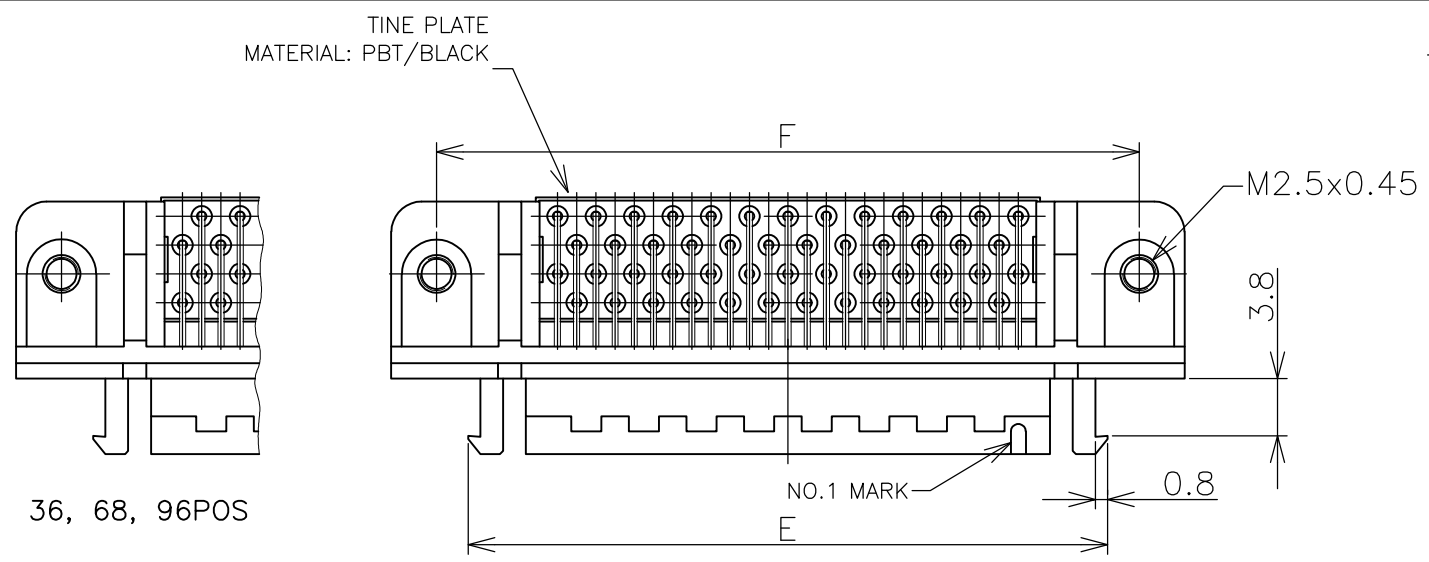
Address: A1208, Overseas Decoration Building, #122 Zhenhua RD., Futian, Shenzhen, China



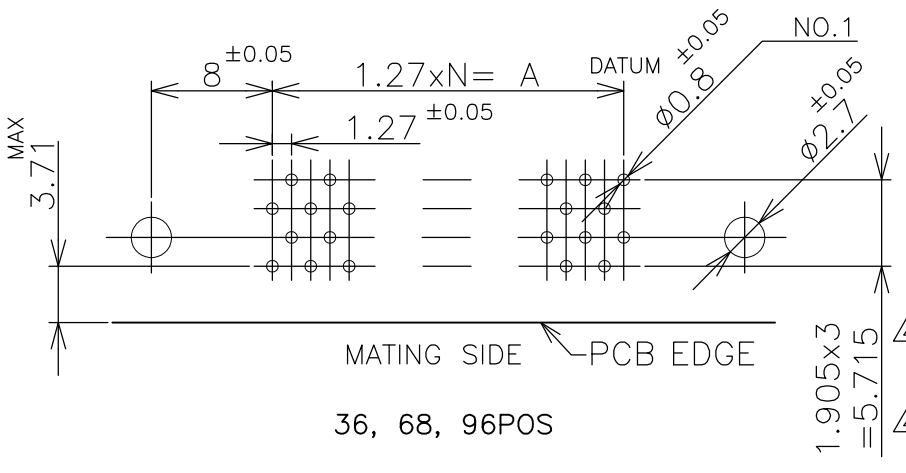
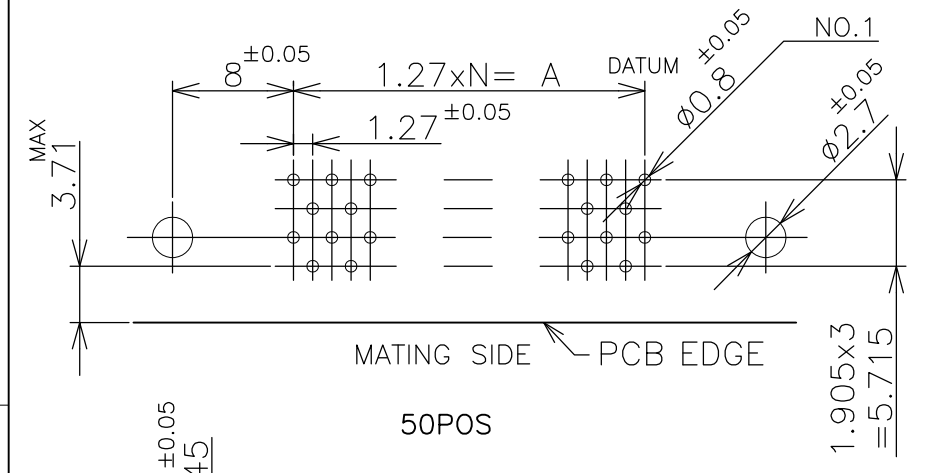
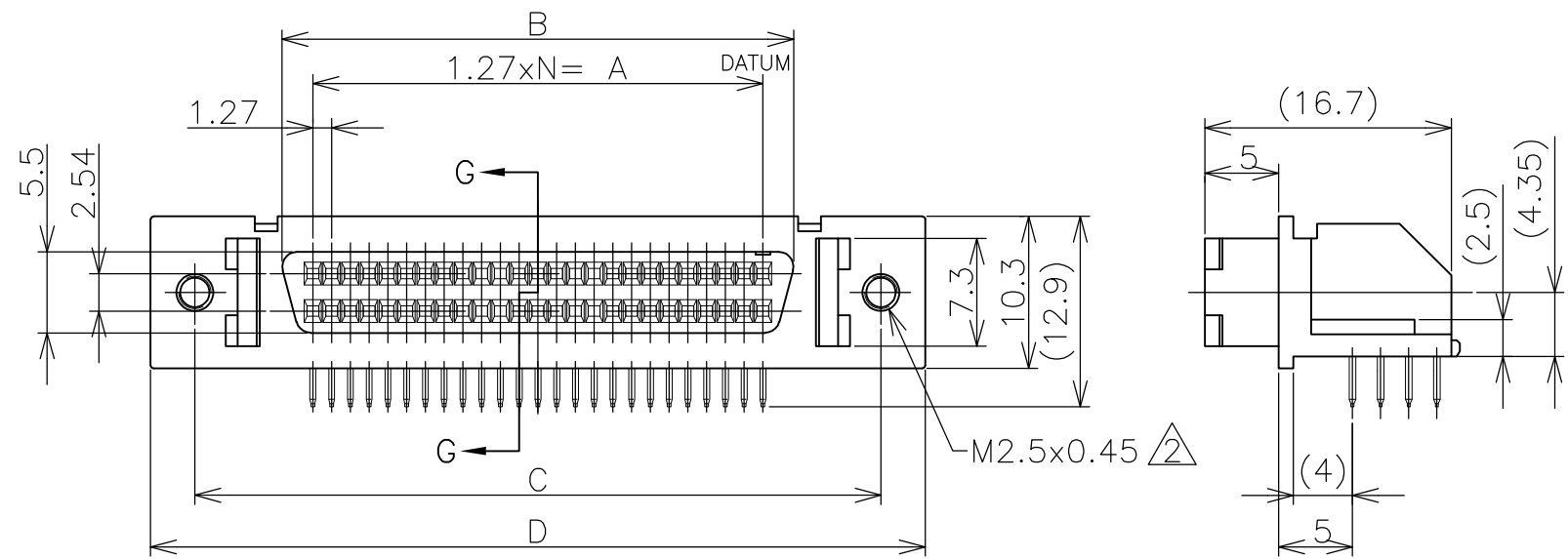
THIS DRAWING IS UNPUBLISHED. RELEASED FOR PUBLICATION SEP, 1994.  
 © COPYRIGHT 1994 BY TYCO ELECTRONICS CORPORATION. ALL RIGHTS RESERVED.

LOC	DIST	REVISIONS					
ES	00	P	LTR	DESCRIPTION	DATE	DWN	APVD
			A1	REVISED PER ECO-10-000444	19JAN10	KK	HMR

-4; AS SHOWN



- 1 P.C BOARD HOLE LAY-OUT SEE FIG.1 AND QTY OF HOLE MUST BE COUNTED UP FROM DATUM LINE.
- 2 USED SCREW SIZE; M2.5x0.45
- 3 CONNECTOR TO BE MATED:  
X-5174731-X, X-5175707-X.
- 4 OBSOLETE PARTS: OBSOLETE CIS STREAMLINING PER D.RENAUD/D.SINISI



SUPERSEDED BY 5787394-7	0.00076 MIN	68	33	41.91	46.08	57.9	63.9	53.71	57.9	2-	-5-
		50	24	30.48	34.65	46.5	52.5	42.28	46.5	2-	-4
OBSOLETE SUPERSEDED BY 5787394-7	0.0002 MIN	68	33	41.91	46.08	57.9	63.9	53.71	57.9		-5-
		50	24	30.48	34.65	46.5	52.5	42.28	46.5		-4
OBSOLETE		36	17	21.59	25.76	37.6	43.6	33.39	37.6		5174726-3
	CONTACT GOLD PL.	POS	N	A	B	C	D	E	F		PART NO.

P.C. BOARD MOUNTING DIMENSIONS FIG.1

LEAD FREE

TOP OF SOLDER TINE SHAPE (SCALE 20:1)

GENERAL TOLERANCE

10 ≥ : ±0.2  
 30 ≥ > 10: ±0.25  
 100 ≥ > 30: ±0.3  
 ANGLES: ±3°

THIS DRAWING IS A CONTROLLED DOCUMENT.

DIMENSIONS: mm

TOLERANCES UNLESS OTHERWISE SPECIFIED:

0 PLC	± -
1 PLC	± -
2 PLC	± -
3 PLC	± -
4 PLC	± -
ANGLES	± -
FINISH	± -

MATERIAL: SEE TABLE

DWN: Roy Hao 20Aug04

CHK: STEVEN YAO 20Aug04

APVD: I.ENOMOTO 20Aug04

PRODUCT SPEC: 108-60037-2

APPLICATION SPEC:

NAME: Tyco Electronics Corporation, Shanghai, P.R.China, 200233

PLUG HEADER (HORIZONTAL/M2.5) AMPLIMITE .050 SERIES II CONNECTOR TYPE A

SIZE: A3, CAGE CODE: 00779, DRAWING NO: G-5174726

RESTRICTED TO:

CUSTOMER DRAWING, SCALE: 2:1, SHEET: 1 OF 1, REV: A1