



Chipsmall Limited consists of a professional team with an average of over 10 year of expertise in the distribution of electronic components. Based in Hongkong, we have already established firm and mutual-benefit business relationships with customers from,Europe,America and south Asia,supplying obsolete and hard-to-find components to meet their specific needs.

With the principle of “Quality Parts,Customers Priority,Honest Operation,and Considerate Service”,our business mainly focus on the distribution of electronic components. Line cards we deal with include Microchip,ALPS,ROHM,Xilinx,Pulse,ON,Everlight and Freescale. Main products comprise IC,Modules,Potentiometer,IC Socket,Relay,Connector.Our parts cover such applications as commercial,industrial, and automotives areas.

We are looking forward to setting up business relationship with you and hope to provide you with the best service and solution. Let us make a better world for our industry!



Contact us

Tel: +86-755-8981 8866 Fax: +86-755-8427 6832

Email & Skype: info@chipsmall.com Web: www.chipsmall.com

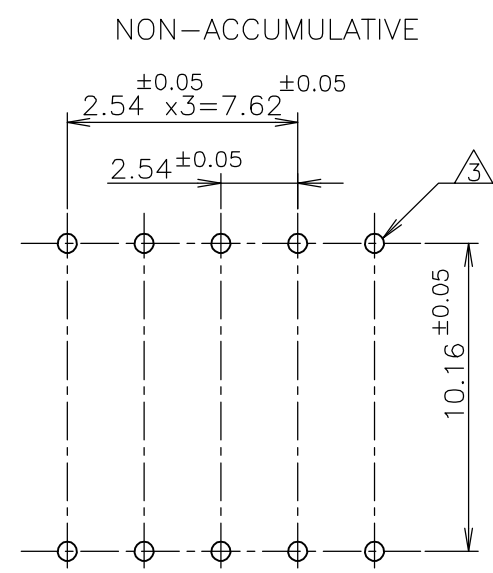
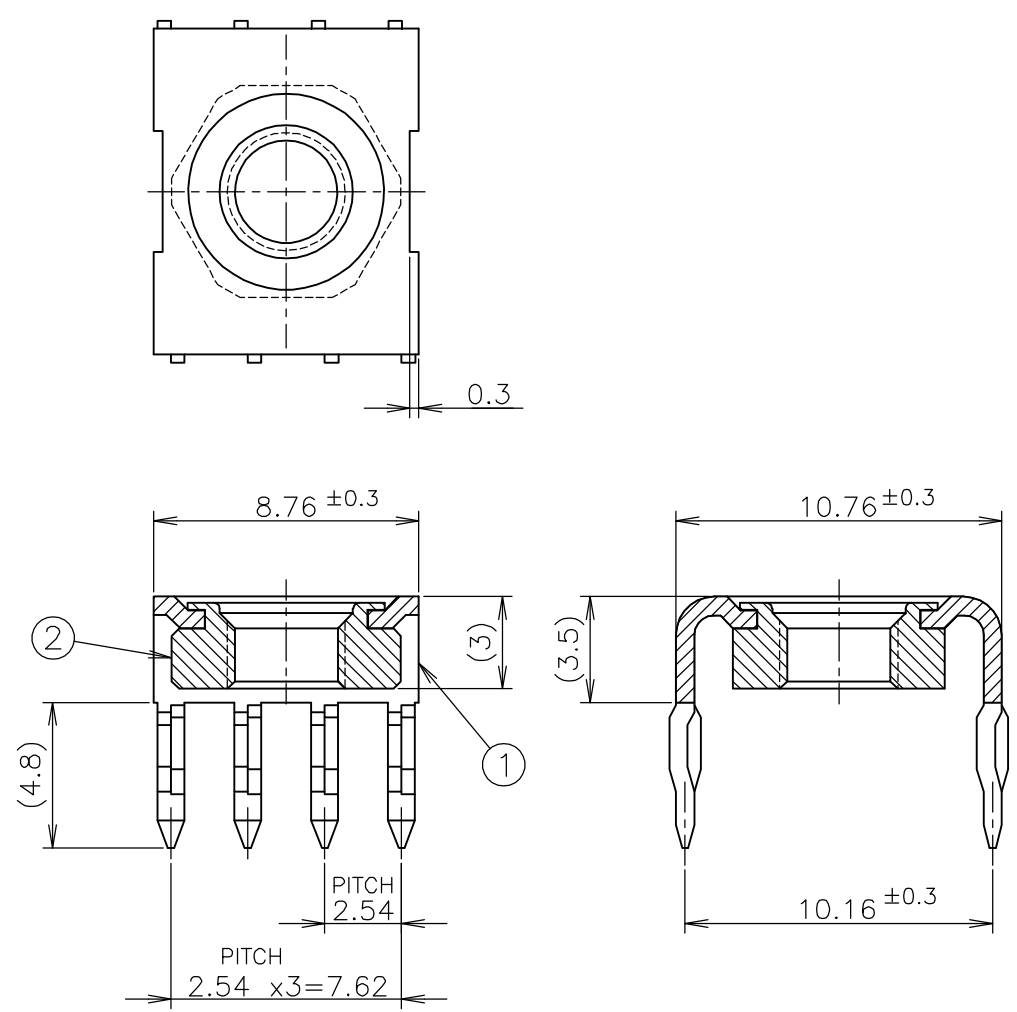
Address: A1208, Overseas Decoration Building, #122 Zhenhua RD., Futian, Shenzhen, China



THIS DRAWING IS UNPUBLISHED. RELEASED FOR PUBLICATION OCT, 1978.
 © COPYRIGHT 1978 BY TYCO ELECTRONICS CORPORATION. ALL RIGHTS RESERVED.

LOC	DIST	REVISIONS					
P	LTR	DESCRIPTION	DATE	DWN	APVD		
J	/	A	RELEASED	ECR-05-009552	15AUG05	C.Z	S.Y

-2; AS SHOWN



RECOMMENDED PCB LAYOUT
(SEE NOTE 3)

- NOTES:
- USE SCREW AND SPRING WASHER AS FOLLOWING:
 M4 SCREW
 SPRING WASHER: NOMINAL DIAMETER 4.
 - RECOMMENDED PCB LAYOUT (USED BY ACTION-PIN)
 - PCB MATERIAL: GLASS EPOXY
 NEMA G10, G11, FR4
 - PCB THICKNESS: 1.5MIN.
 - THRU HOLE TREATMENT: $\phi 1.0^{\pm 0.025}$
 - COPPER FOIL THICKNESS: 25~75 μ
 - COPPER FOIL HARDNESS: 150KNOOP MAX.
 - FINISH DIAMETER: $\phi 0.9^{\pm 0.05}$ (AFTER PL.)
 - IF IT IS USED BY SOLDERING,
 THRU HOLE DIAMETER: $\phi 1.30^{\pm 0.05}$ (8 POSITIONS)

M4 CURLING NUT	②
8P POWER TAP CONTACT	①
NAME	ITEM

GENERAL TOLERANCE
 $10 \geq : \pm 0.2$
 $30 \geq > 10 : \pm 0.25$
 $100 \geq > 30 : \pm 0.3$
 ANGLES: $\pm 3'$

THIS DRAWING IS A CONTROLLED DOCUMENT.		DWN	C.ZHU	15AUG05														
DIMENSIONS: mm		CHK	I.WANG	15AUG05														
TOLERANCES UNLESS OTHERWISE SPECIFIED:		APVD	S.YAO	15AUG05														
<table border="0"> <tr><td>0 PLC</td><td>$\pm -$</td></tr> <tr><td>1 PLC</td><td>$\pm -$</td></tr> <tr><td>2 PLC</td><td>$\pm -$</td></tr> <tr><td>3 PLC</td><td>$\pm -$</td></tr> <tr><td>4 PLC</td><td>$\pm -$</td></tr> <tr><td>ANGLES</td><td>$\pm -$</td></tr> <tr><td>FINISH</td><td>$\pm -$</td></tr> </table>		0 PLC	$\pm -$	1 PLC	$\pm -$	2 PLC	$\pm -$	3 PLC	$\pm -$	4 PLC	$\pm -$	ANGLES	$\pm -$	FINISH	$\pm -$	PRODUCT SPEC	NAME	
0 PLC	$\pm -$																	
1 PLC	$\pm -$																	
2 PLC	$\pm -$																	
3 PLC	$\pm -$																	
4 PLC	$\pm -$																	
ANGLES	$\pm -$																	
FINISH	$\pm -$																	
MATERIAL		APPLICATION SPEC	8POS AMP POWER TAP CONNECTOR															
COPPER ALLOY		WEIGHT	TIN PL.															

Tyco Electronics		Tyco Electronics AMP K.K. Kawasaki, Japan	
SIZE	CAGE CODE	DRAWING NO	RESTRICTED TO
A3	00779	C-5174882	-
CUSTOMER DRAWING		SCALE	SHEET 1 OF 1
		4:1	REV A