



Chipsmall Limited consists of a professional team with an average of over 10 year of expertise in the distribution of electronic components. Based in Hongkong, we have already established firm and mutual-benefit business relationships with customers from,Europe,America and south Asia,supplying obsolete and hard-to-find components to meet their specific needs.

With the principle of “Quality Parts,Customers Priority,Honest Operation,and Considerate Service”,our business mainly focus on the distribution of electronic components. Line cards we deal with include Microchip,ALPS,ROHM,Xilinx,Pulse,ON,Everlight and Freescale. Main products comprise IC,Modules,Potentiometer,IC Socket,Relay,Connector.Our parts cover such applications as commercial,industrial, and automotives areas.

We are looking forward to setting up business relationship with you and hope to provide you with the best service and solution. Let us make a better world for our industry!



## Contact us

Tel: +86-755-8981 8866 Fax: +86-755-8427 6832

Email & Skype: info@chipsmall.com Web: www.chipsmall.com

Address: A1208, Overseas Decoration Building, #122 Zhenhua RD., Futian, Shenzhen, China

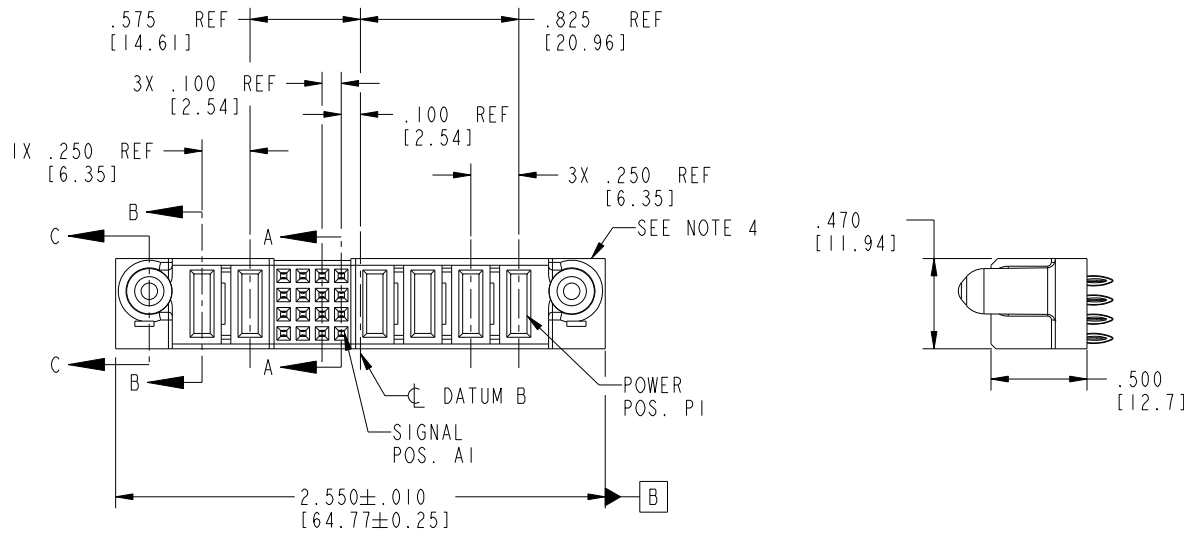


Tous droits strictement réservés. Reproduction ou communication a des tiers interdite sous quelque forme que ce soit sans autorisation écrite du propriétaire. Propriété de c FCI. Droits de reproduction FCI.



All rights strictly reserved. Reproduction or issue to third parties in any form whatever is not permitted without written authority from the proprietor. Property of FCI. Copyright FCI.

PRODUCT NO. 51750-059-- Note: ③	ROWS D C B A	POWER			SIGNAL				POWER				E1
		E2	P6	P5	4	3	2	1	P4	P3	P2	P1	



CODE	DIM "M" MATING LENGTH	CONTACT TYPE
F	N/A [N/A]	SIGNAL
PC	.042 [1.07]	POWER
PF	.092 [2.34]	POWER

mat'l code				SEE NOTE 2		tolerances unless otherwise specified		CUSTOMER		 www.fciconnect.com	
ltr	ecn no.	dr	date	linear	.XX±.01/0.X±0.3	projection		title 4P + 16S + 2P			
A	V04-0348	TAB	04/08/04		.XXX±.005/0.XX±0.13			VERTICAL PRESS-FIT RECEPT			
B	DG05-0171	GuoJM	06/17/05	angles	.XXX±.0020/0.XXX±0.051			product family PwrBlade		code 213	
C	DG08-0251	W D	09/13/08		0°±2°	scale 1:1		size A		sheet 1 of 4	
sheet index		revision sheet		C	C	C	C	A		51750-059	
		1 2		3	4						

Pro/E

PDM: Rev: C

STATUS: Released

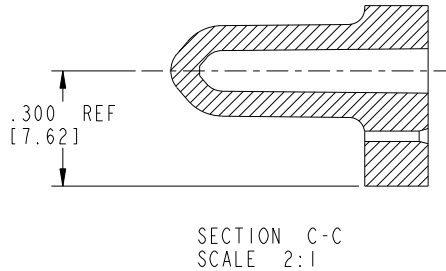
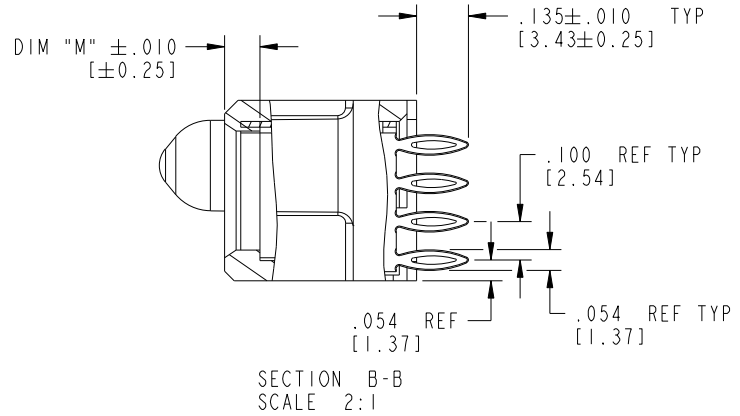
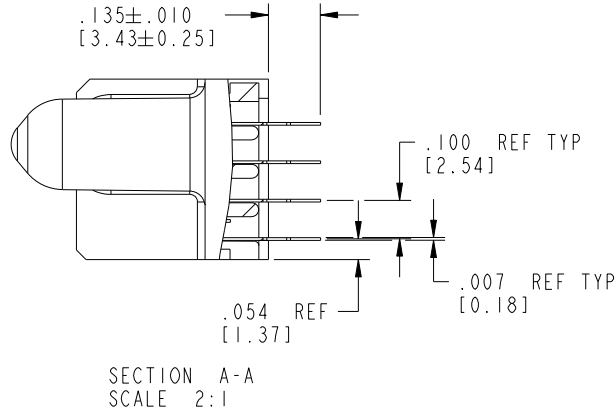
Printed: Dec 20, 2010

Tous droits strictement réservés. Reproduction ou communication a des tiers interdite sous quelque forme que ce soit sans autorisation écrite du propriétaire. Propriété de c FCI. Droits de reproduction FCI.

All rights strictly reserved. Reproduction or issue to third parties in any form whatever is not permitted without written authority from the proprietor. Property of FCI. Copyright FCI.



PRODUCT NUMBER  
51750-059\_\_  
Note: (3)



mat'l code		SEE NOTE 2		tolerances unless otherwise specified		CUSTOMER		FCI	
ltr	ecn no.	dr	date	linear	.XX±.01/0.X±0.3	COPY		www.fciconnect.com	
C				projection	.XXY±.005/0.XX±0.13	INCH/MM		title 4P + 16S + 2P	
				angles	.XXX±.0020/0.XXX±0.051	1:1		VERTICAL PRESS-FIT RECEPT	
				dr	T. BRUNGARD 04/08/04	scale		product family PwrBlade code	
				engr	M. GRAY 04/08/04	1:1		size 213	
				chr	M. GRAY 04/08/04			sheet	
				appd	M. GRAY 04/08/04			2 of 4	
sheet index	revision sheet							A 51750-059	

Pro/E

PDM: Rev: C

STATUS: Released

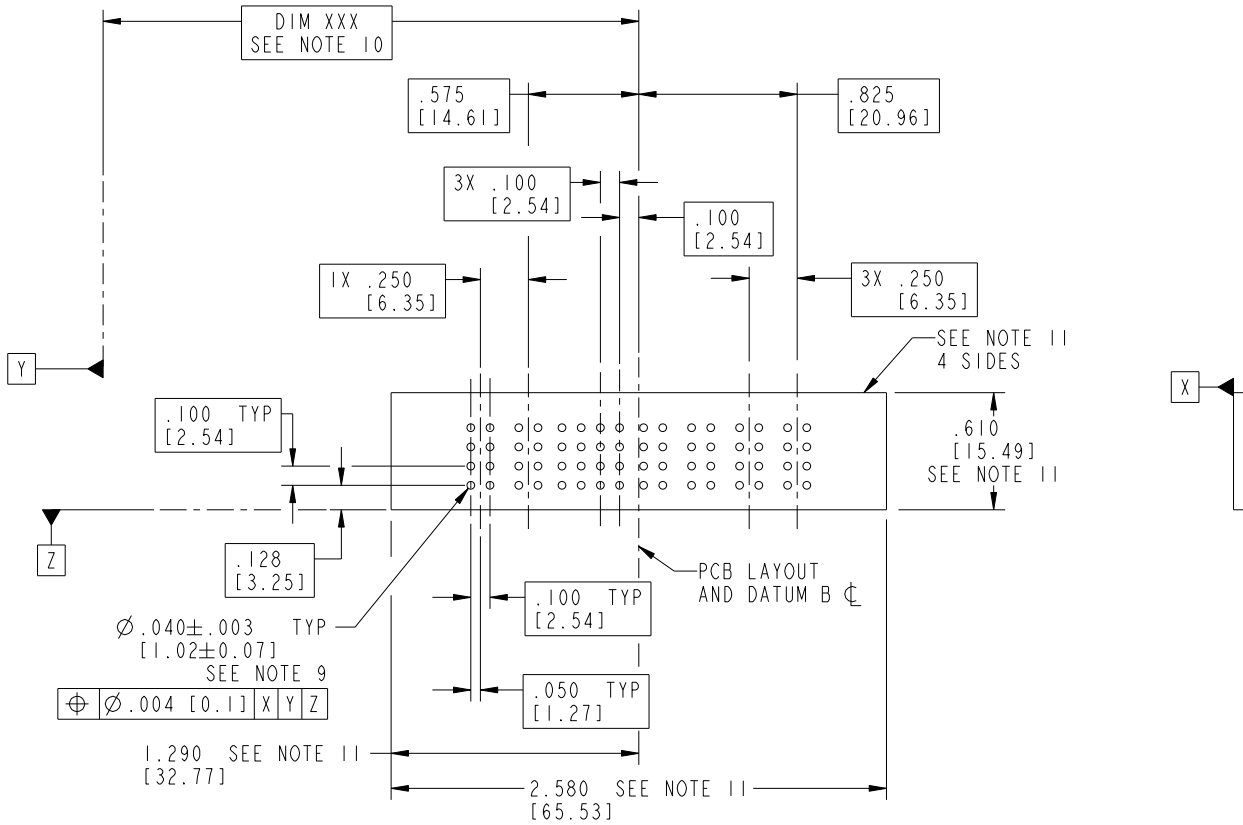
Printed: Dec 20, 2010

Tous droits strictement réservés. Reproduction ou communication a des tiers interdite sous quelque forme que ce soit sans autorisation écrite du propriétaire. Propriété de c FCI. Droits de reproduction FCI.

All rights strictly reserved. Reproduction or issue to third parties in any form whatever is not permitted without written authority from the proprietor. Property of FCI. Copyright FCI.



PRODUCT NUMBER  
51750-059\_\_  
Note:③



RECOMMENDED PCB LAYOUT

mat'l code		SEE NOTE 2		tolerances unless otherwise specified		CUSTOMER		 www.fciconnect.com	
ltr	ecn no.	dr	date	linear	.XX±.01/0.X±0.3	COPY		title	
C					.XXY±.005/0.XX±0.13	projection		4P + 16S + 2P	
				angles	.XXXX±.0020/0.XXX±0.051			VERTICAL PRESS-FIT RECEPT	
				dr	0°±2°			product family	
				enr	T. BRUNGARD 04/08/04	INCH/MM		PwrBlade	
				enr	M. GRAY 04/08/04	scale		code	
				chr	M. GRAY 04/08/04	1:1		213	
				appd	M. GRAY 04/08/04	A		51750-059	
sheet index		revision sheet						3 of 4	

Pro/E

PDM: Rev: C

STATUS: Released

Printed: Dec 20, 2010

PRODUCT NUMBER  
 51750-059\_\_  
 Note: (3)

NOTES:

1. DIMENSIONS AND TOLERANCES ARE IN ACCORDANCE WITH ASME Y14.5M, 1994 UNLESS OTHERWISE SPECIFIED.

CONNECTOR NOTES:

(2) HOUSING MATERIAL: UL 94 V-0 GLASS FILLED HIGH-TEMP THERMOPLASTIC  
 POWER CONTACT MATERIAL: COPPER ALLOY  
 SIGNAL PIN MATERIAL: COPPER ALLOY

(3) SEE ITEM 7 & 8 IN PRINT 10064183 FOR PLATING SPEC OF 51750-059 AND 51750-059LF RESPECTIVELY.

(4) MANUFACTURER'S NAME, P/N, AND DATE CODE TO APPEAR ON THIS SURFACE.

5. PRODUCT SPECIFICATION GS-12-149.  
APPLICATION SPECIFICATION BUS-20-067.

6. PACKAGED IN TRAYS.

PCB NOTES:

7. ALL HOLE DIAMETERS ARE FINISHED HOLE SIZE.

(8) MOUNTING HOLES, WHERE APPLICABLE, ARE UNPLATED.

(9)  $\varnothing .0453 \pm .0010$  [1.151  $\pm$  0.025] DRILLED HOLES PLATED WITH  
 .0003 [0.008] MIN SnPb OVER .001 [0.03]  
 TO .003 [0.08] Cu PLATING TO ACHIEVE  
 $\varnothing .040 \pm .003$  [1.02  $\pm$  .07] HOLE.

(10) "DIM XXX" TO BE DETERMINED BY THE CUSTOMER.

(11) CONNECTOR KEEP-OUT ZONE.

12. A (3) SYMBOL WILL BE NEXT TO ANY DIMENSION, VIEW, OR NOTE WHICH HAS BEEN MODIFIED WITH THE CURRENT DRAWING REVISION.

mat'l code		SEE NOTE 2		tolerances unless otherwise specified		CUSTOMER		FCJ	
lir	ecn no.	dr	date	linear	.XX $\pm$ .01 / 0.X $\pm$ 0.3	COPY		www.fciconnect.com	
C				projection	.XXX $\pm$ .005 / 0.XX $\pm$ 0.13			title 4P + 16S + 2P	
				angles	.XXX $\pm$ .0020 / 0.XXX $\pm$ 0.051			VERTICAL PRESS-FIT RECEPT	
				dr	0° $\pm$ 2°	product family PwrBlade		code 213	
				enr	T. BRUNGARD 04/08/04	size		sheet 4 of 4	
				chr	M. GRAY 04/08/04	A		51750-059	
				appd	M. GRAY 04/08/04	scale 1:1			
sheet index	revision sheet								

Tous droits strictement réservés. Reproduction ou communication a des tiers interdite sous quelque forme que ce soit sans autorisation écrite du propriétaire. Propriete de c FCI. Droits de reproduction FCI.



All rights strictly reserved. Reproduction or issue to third parties in any form whatever is not permitted without written authority from the proprietor. Property of FCI. Copyright FCI.