



Chipsmall Limited consists of a professional team with an average of over 10 year of expertise in the distribution of electronic components. Based in Hongkong, we have already established firm and mutual-benefit business relationships with customers from,Europe,America and south Asia,supplying obsolete and hard-to-find components to meet their specific needs.

With the principle of “Quality Parts,Customers Priority,Honest Operation,and Considerate Service”,our business mainly focus on the distribution of electronic components. Line cards we deal with include Microchip,ALPS,ROHM,Xilinx,Pulse,ON,Everlight and Freescale. Main products comprise IC,Modules,Potentiometer,IC Socket,Relay,Connector.Our parts cover such applications as commercial,industrial, and automotives areas.

We are looking forward to setting up business relationship with you and hope to provide you with the best service and solution. Let us make a better world for our industry!



## Contact us

Tel: +86-755-8981 8866 Fax: +86-755-8427 6832

Email & Skype: info@chipsmall.com Web: www.chipsmall.com

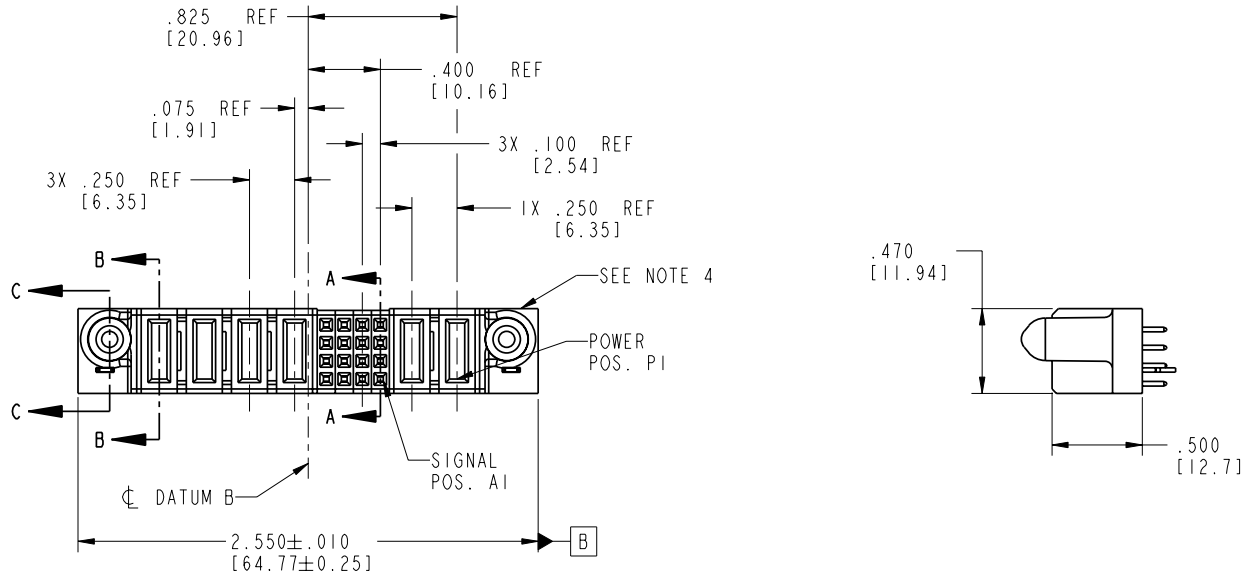
Address: A1208, Overseas Decoration Building, #122 Zhenhua RD., Futian, Shenzhen, China



Tous droits strictement réservés. Reproduction ou communication à des tiers interdite sans quelque forme que ce soit sans autorisation écrite du propriétaire. Propriété de c FCI. Droits de reproduction FCI.

All rights strictly reserved. Reproduction or issue to third parties in any form whatsoever is not permitted without written authority from the proprietor. Property of FCI. Copyright FCI.

PRODUCT NO.	ROW S	POWER				SIG				POWER		E1	
		E2	P6	P5	P4	P3	4	3	2	1	P2		P1
51750-073-- NOTE ③	D C A		PA	PA	PD	PD	EEEE	EEEE	EEEE	EEEE	PD	PA	



CODE	DIM "M" MATING LENGTH	CONTACT TYPE
E	N/A [N/A]	SIGNAL
PA	.042 [1.07]	POWER
PD	.092 [2.34]	POWER
HA	N/A [N/A]	HOLD-DOWN

mat'l code SEE NOTE 2				tolerances unless otherwise specified		CUSTOMER		<b>A</b> <b>FCI</b> www.fciconnect.com	
lfr	ecn no.	dr	date	linear	.XX±.01/0.X±0.3	COPY		projection	
A	DG06-0033	RYAN	03/01/06		.XXX±.005/0.XX±0.13	INCH/MM		title 2P + 16S + 4P VERTICAL STB RECEPT	
				angles	.XXX±.002/0.XXX±0.051	scale 1:1		product family PwrBlade code 213	
				dr	0° ± 2°			size dwg no 51750-073	
				engr	RYAN YUAN 03/01/06			sheet 1 of 4	
				chr	SALLY LUO 03/01/06				
				appd	BEER FU 03/01/06				
					JOSEPH HSIA 03/01/06				
sheet index	revision sheet	A	A	A	A			cage code 22526	
		1	2	3	4				

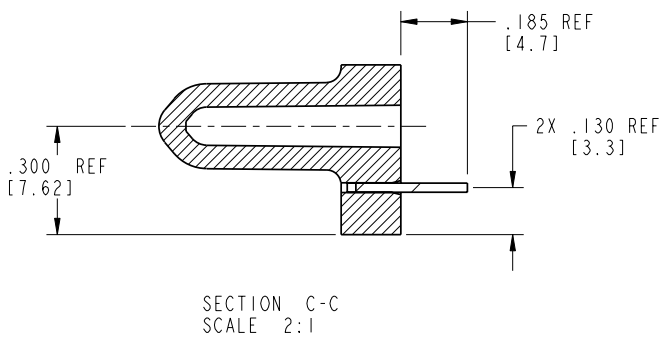
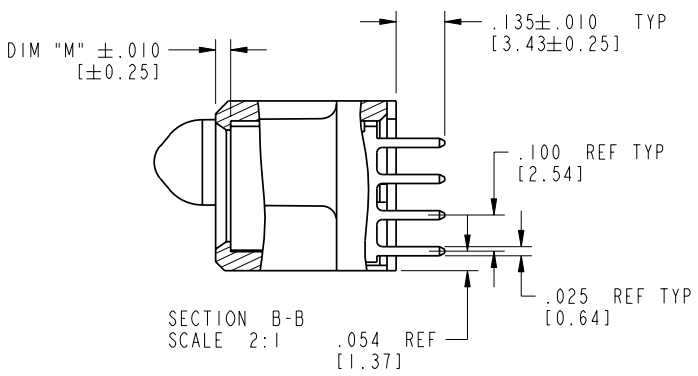
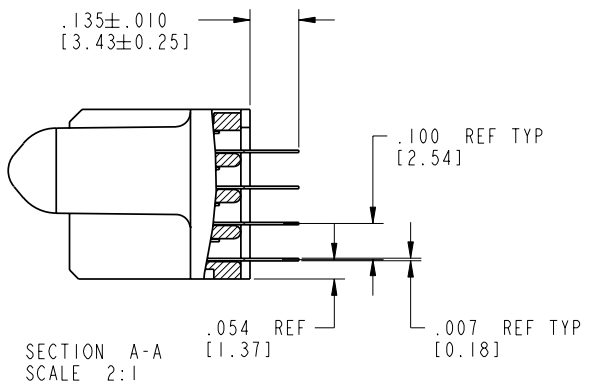
Pro/E

cage code 22526

Tous droits strictement reserves. Reproduction ou communication a des tiers interdite sous quelque forme que ce soit sans autorisation écrite du propriétaire. Propriete de c FCI. Droits de reproduction FCI.

All rights strictly reserved. Reproduction or issue to third parties in any form whatever is not permitted without written authority from the proprietor. Property of FCI. Copyright FCI.

PRODUCT NUMBER  
51750-073--  
NOTE ③



mat'l code		SEE NOTE 2		tolerances unless otherwise specified		CUSTOMER		A FCI		www.fciconnect.com	
lir	ecn no.	dr	date	linear	.XX±.01/0.X±0.3	COPY		projection		title	
A					.XXX±.005/0.XX±0.13					2P + 16S + 4P	
				angles	.XXX±.002/0.XXX±0.051					VERTICAL STB RECEPT	
				dr	0° ± 2°	RYAN YUAN 03/01/06		INCH/MM		product family PwrBlade code	
				enr		SALLY LUO 03/01/06		scale		size	
				chr		BEER FU 03/01/06		1:1		dwg no	
				appd		JOSEPH HSIA 03/01/06				51750-073	
sheet index		revision sheet								213 sheet 2 of 4	

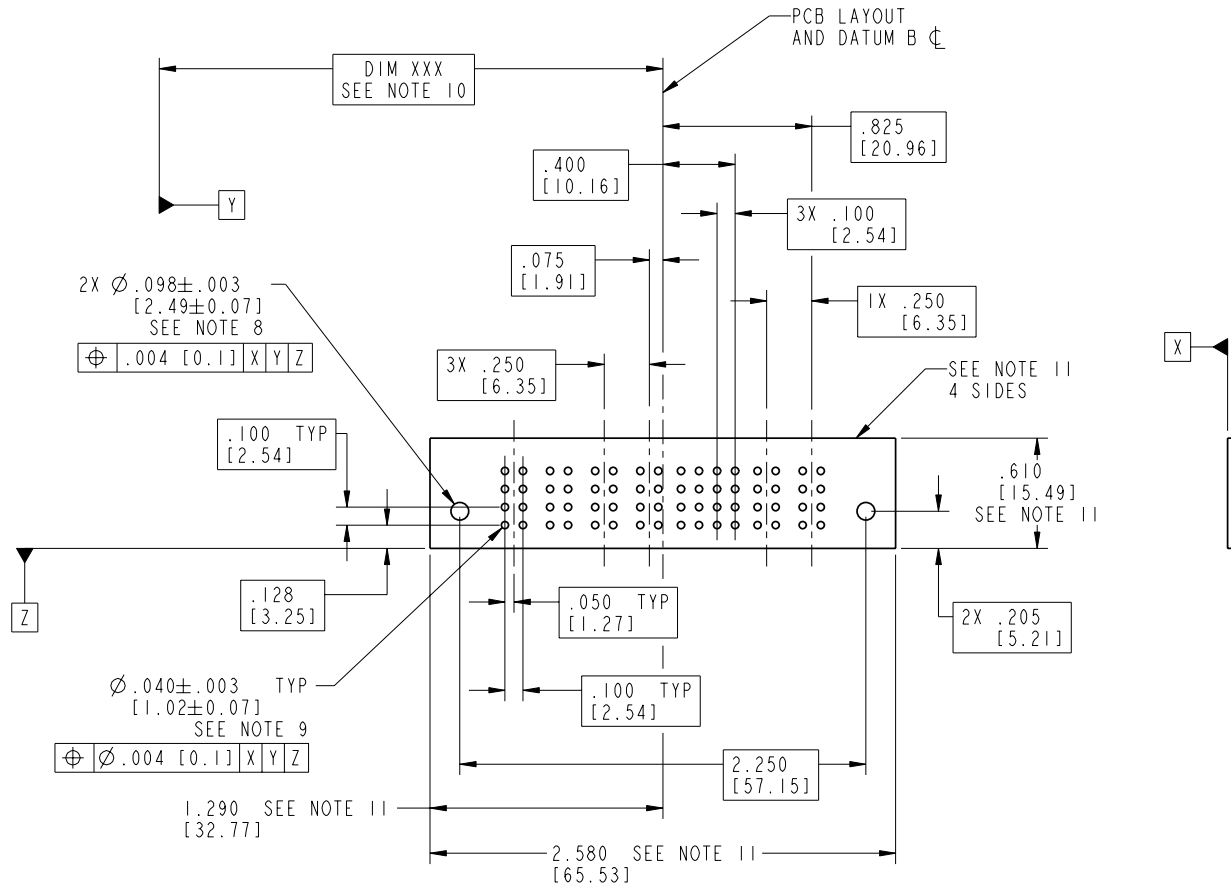
cage code 22526

Tous droits strictement réservés. Reproduction ou communication à des tiers interdite sans quelque forme que ce soit sans autorisation écrite du propriétaire. Propriété de c FCI. Droits de reproduction FCI.



All rights strictly reserved. Reproduction or issue to third parties in any form whatever is not permitted without written authority from the proprietor. Property of FCI. Copyright FCI.

PRODUCT NUMBER  
51750-073--  
NOTE ③



mat'l code		SEE NOTE 2		tolerances unless otherwise specified		CUSTOMER		 www.fciconnect.com	
lfr	ecn no.	dr	date	linear	.XX±.01/0.X±0.3	COPY		projection	title
A					.XXX±.005/0.XX±0.13				2P + 16S + 4P
				angles	.XXX±.002/0.XXX±0.051				VERTICAL STB RECEPT
				dr	0° ± 2°	RYAN YUAN 03/01/06		INCH/MM	product family
				enrg		SALLY LUO 03/01/06		scale	PwrBlade
				chr		BEER FU 03/01/06		1:1	code
				appd		JOSEPH HSIA 03/01/06			213
sheet index		revision sheet						size	
								A	
								dwg no	
								51750-073	
								sheet	
								3 of 4	

cage code 22526

Pro/E



Tous droits strictement réservés. Reproduction ou communication à des tiers interdite sans quelque forme que ce soit sans autorisation écrite du propriétaire. Propriété de c FCI. Droits de reproduction FCI.



All rights strictly reserved. Reproduction or issue to third parties in any form whatever is not permitted without written authority from the proprietor. Property of FCI. Copyright FCI.

1 | 2

3 |

4

PRODUCT NUMBER  
51750-073--  
NOTE ③

NOTES:

1. DIMENSIONS AND TOLERANCES ARE IN ACCORDANCE WITH ASME Y14.5M, 1994 UNLESS OTHERWISE SPECIFIED.

CONNECTOR NOTES:

② HOUSING MATERIAL: UL 94 V-0 GLASS FILLED HIGH-TEMP THERMOPLASTIC  
POWER CONTACT MATERIAL: COPPER ALLOY  
SIGNAL PIN MATERIAL: COPPER ALLOY

③ PLATING:  
SEE PRINT 10064183 FOR PLATING SPEC OF 51750-073; 51750-073LF

④ MANUFACTURER'S NAME, P/N, AND DATE CODE TO APPEAR ON THIS SURFACE.

5. PRODUCT SPECIFICATION GS-12-149.  
APPLICATION SPECIFICATION BUS-20-067.

6. PACKAGED IN TRAYS.

PCB NOTES:

7. ALL HOLE DIAMETERS ARE FINISHED HOLE SIZE.

⑧ MOUNTING HOLES, WHERE APPLICABLE, ARE UNPLATED.

⑨  $\varnothing .0453 \pm .0010$  [1.151  $\pm$  0.025] DRILLED HOLES PLATED WITH  
.0003 [0.008] MIN SnPb OVER .001 [0.03]  
TO .003 [0.08] Cu PLATING TO ACHIEVE  
 $\varnothing .040 \pm .003$  [1.02  $\pm$  .07] HOLE.

⑩ "DIM XXX" TO BE DETERMINED BY THE CUSTOMER.

⑪ CONNECTOR KEEP-OUT ZONE.

A

A

B

B

mat'l code				SEE NOTE 2		tolerances unless otherwise specified		CUSTOMER		A FCI www.fciconnect.com	
lfr	ecr no.	dr	date	linear	.XX±.01/0.X±0.3	COPY		projection		title	
A					.XXX±.005/0.XX±0.13					2P + 16S + 4P	
				angles	.XXX±.002/0.XXX±0.051					VERTICAL STB RECEPT	
				dr	0° ± 2°	RYAN YUAN 03/01/06		INCH/MM		product family PwrBlade code	
				enrg		SALLY LUO 03/01/06		scale		size dwg no	
				chr		BEER FU 03/01/06		1:1		A 51750-073	
				appd		JOSEPH HSIA 03/01/06				sheet 213	
sheet index		revision sheet								4 of 4	

1 | 2

3 |

4

Pro/E

cage code 22526