



Chipsmall Limited consists of a professional team with an average of over 10 year of expertise in the distribution of electronic components. Based in Hongkong, we have already established firm and mutual-benefit business relationships with customers from,Europe,America and south Asia,supplying obsolete and hard-to-find components to meet their specific needs.

With the principle of “Quality Parts,Customers Priority,Honest Operation,and Considerate Service”,our business mainly focus on the distribution of electronic components. Line cards we deal with include Microchip,ALPS,ROHM,Xilinx,Pulse,ON,Everlight and Freescale. Main products comprise IC,Modules,Potentiometer,IC Socket,Relay,Connector.Our parts cover such applications as commercial,industrial, and automotives areas.

We are looking forward to setting up business relationship with you and hope to provide you with the best service and solution. Let us make a better world for our industry!



Contact us

Tel: +86-755-8981 8866 Fax: +86-755-8427 6832

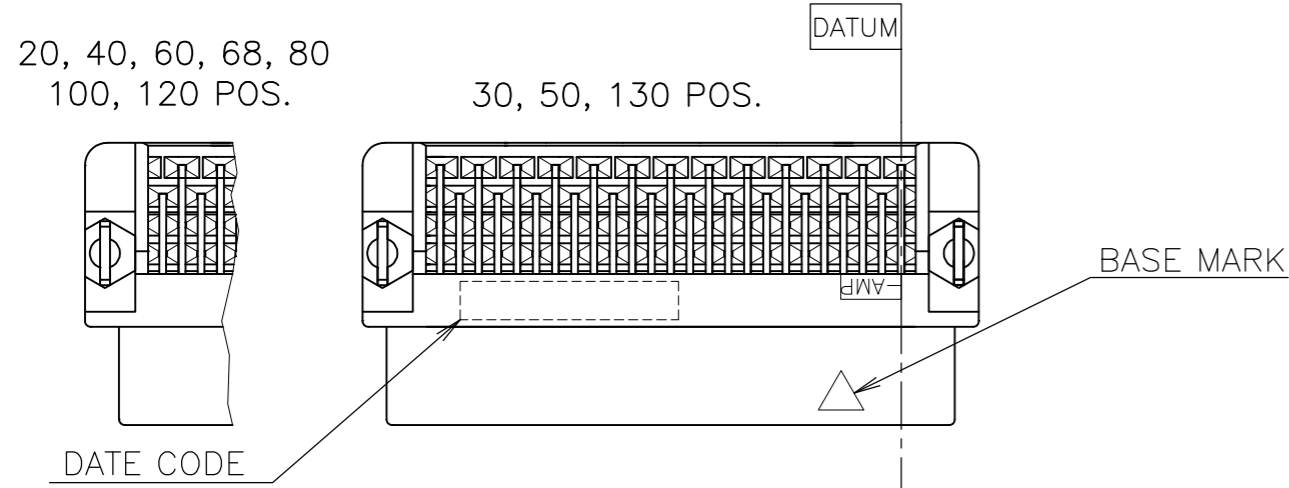
Email & Skype: info@chipsmall.com Web: www.chipsmall.com

Address: A1208, Overseas Decoration Building, #122 Zhenhua RD., Futian, Shenzhen, China

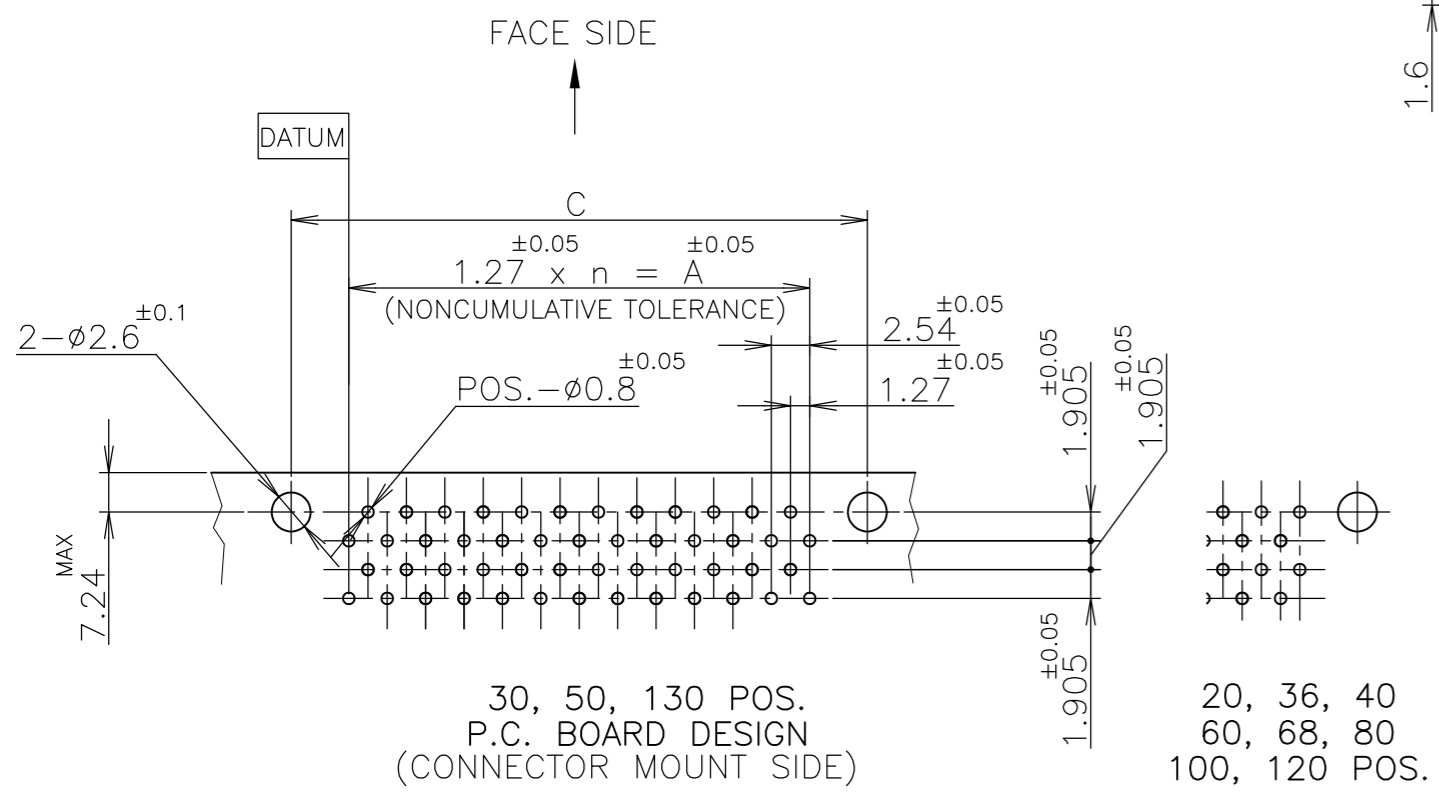
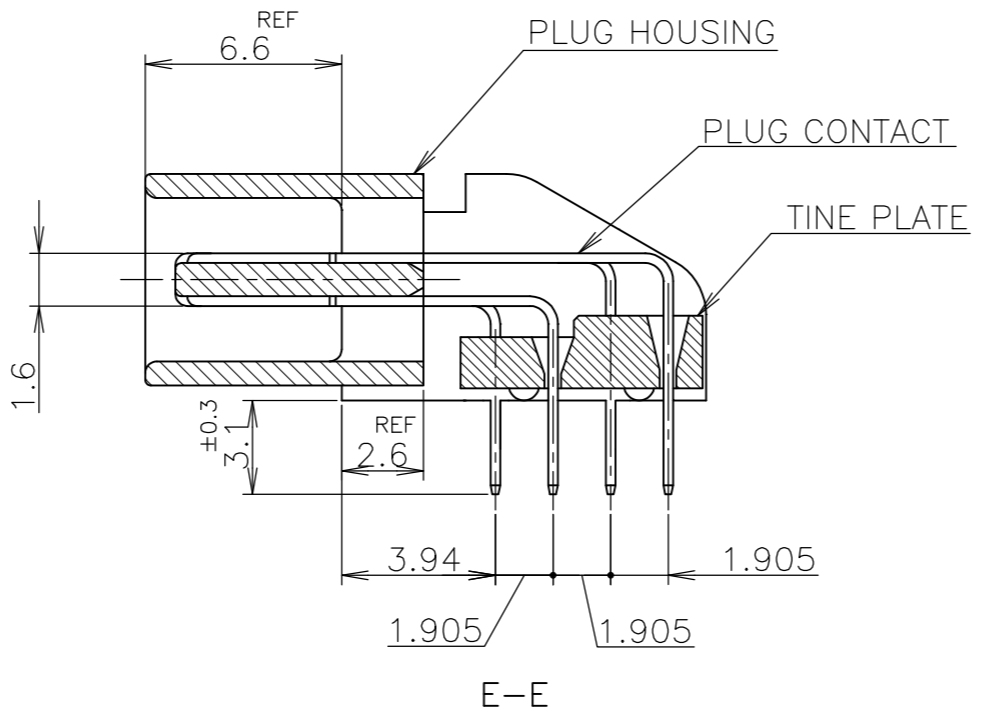
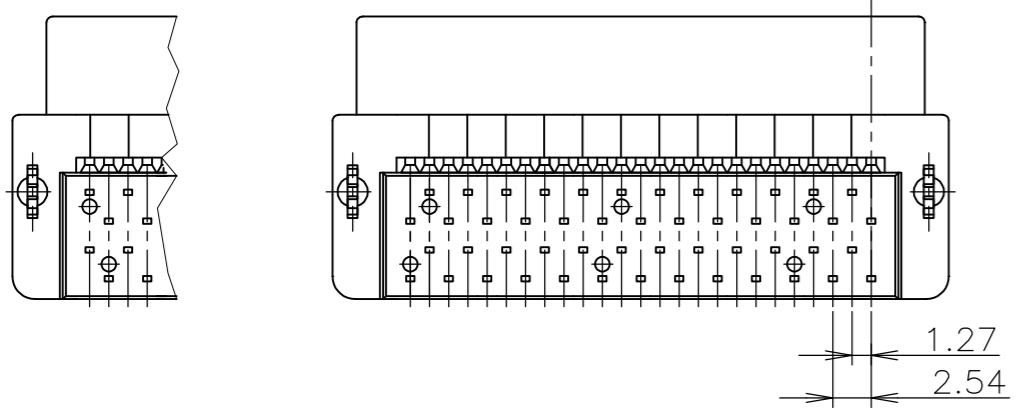
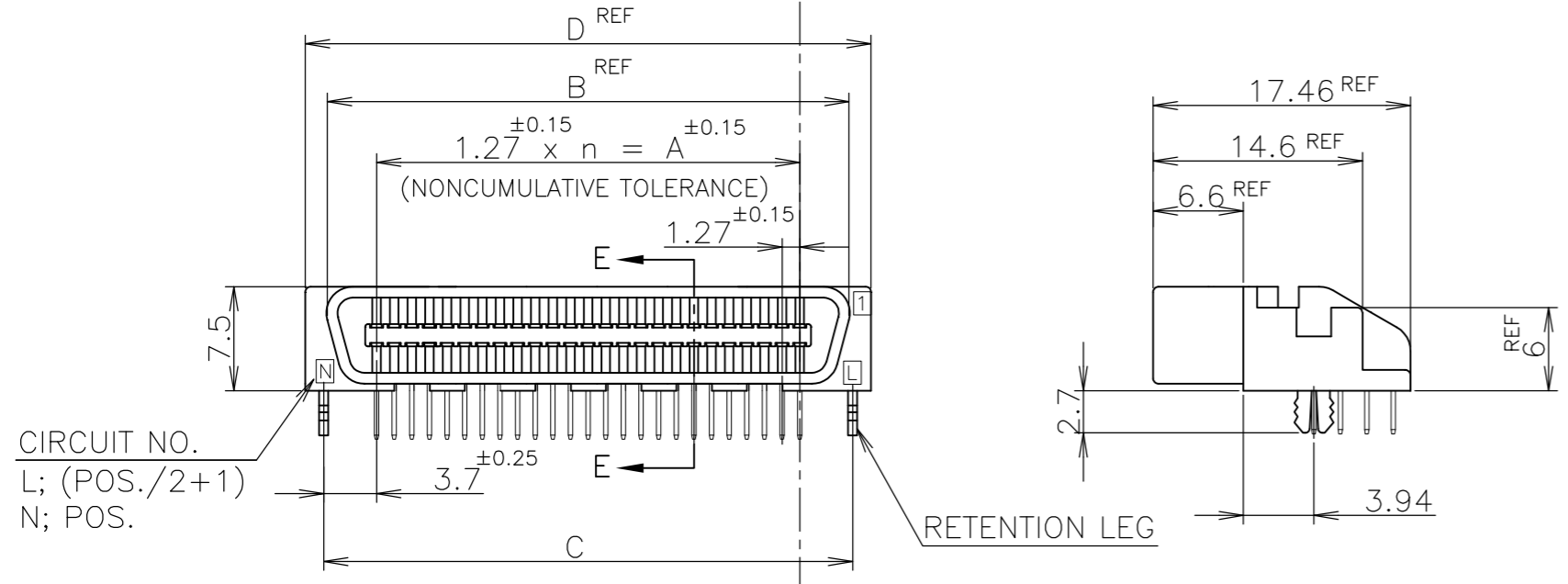


THIS DRAWING IS UNPUBLISHED. RELEASED FOR PUBLICATION AUG, 2004.
 © COPYRIGHT 2004 By - ALL RIGHTS RESERVED.

LOC		DIST		REVISIONS			
P	LTR	DESCRIPTION		DATE	DWN	APVD	
B		REVISED PER ECO-12-012349		28MAR13	BL	AC	



- 1 NUMBER "n" IS COUNTED FROM DATUM (CIRCUIT NO.1 IS "AMP" MARK SIDE.)
- ⚠ MATERIA: HOUSING, 66 NYLON (GF) UL 94V-0, BLACK.
: CONTACT, PHOSPHOR BRONZE.
: RETENTION LEG; BRASS.
- ⚠ FINISH: CONTACT; Au AT CONTACT AREA (SEE TABLE), TIN AT TINE, OVER Ni.
RETENTION LEG; TIN UNDER Ni.



LEAD FREE

GENERAL TOLERANCE
 10 ≥ : ±0.2
 30 > 10: ±0.25
 100 ≥ > 30: ±0.3
 ANGLES: ±3°

POS.	n	A	B	C	D		
6-	-2	130	64	81.28	89.62		
6-	-1	120	59	74.93	83.27		
6-	-0	100	49	62.23	70.57		
5-	-9	80	39	49.53	57.87		
5-	-8	68	33	41.91	50.25		
5-	-7	60	29	36.83	45.17		
5-	-6	50	24	30.48	38.82		
5-	-5	40	19	24.13	32.47		
5-	-4	36	17	21.59	29.93		
5-	-3	30	14	17.78	26.12		
5-	-1	20	9	11.43	19.77		
OBSOLETE	4-	130	64	81.28	89.62		
4-	-1	120	59	74.93	83.27		
4-	-0	100	49	62.23	70.57		
3-	-9	80	39	49.53	57.87		
3-	-8	68	33	41.91	50.25		
3-	-7	60	29	36.83	45.17		
3-	-6	50	24	30.48	38.82		
3-	-5	40	19	24.13	32.47		
OBSOLETE	3-	36	17	21.59	29.93		
3-	-3	30	14	17.78	26.12		
3-	-1	20	9	11.43	19.77		
OBSOLETE	1-	130	64	81.28	89.62		
1-	-1	120	59	74.93	83.27		
1-	-0	100	49	62.23	70.57		
	-9	80	39	49.53	57.87		
	-8	68	33	41.91	50.25		
	-7	60	29	36.83	45.17		
	-6	50	24	30.48	38.82		
	-5	40	19	24.13	32.47		
	-4	36	17	21.59	29.93		
	-3	30	14	17.78	26.12		
5175472-1		20	9	11.43	19.77		
PART NO.	Au PLATE	POS.	n	A	B	C	D

THIS DRAWING IS A CONTROLLED DOCUMENT.

DWN Julyee Zhu 18AUG2004
 CHK Steven Yao 18AUG2004
 APVD Ikuo Enomoto 18AUG2004

NAME: AMP CHAMP .050 CONNECTOR (B-T-B) PLUG CONNECTOR (HORIZONTAL WITH RETENTION LEG)

PRODUCT SPEC: 108-60038
 APPLICATION SPEC

SIZE: A2 CAGE CODE: 00779 DRAWING NO: 5175472 RESTRICTED TO

WEIGHT: CUSTOMER DRAWING SCALE: NTS SHEET: 1 OF 1 REV: B