



Chipsmall Limited consists of a professional team with an average of over 10 year of expertise in the distribution of electronic components. Based in Hongkong, we have already established firm and mutual-benefit business relationships with customers from,Europe,America and south Asia,supplying obsolete and hard-to-find components to meet their specific needs.

With the principle of “Quality Parts,Customers Priority,Honest Operation,and Considerate Service”,our business mainly focus on the distribution of electronic components. Line cards we deal with include Microchip,ALPS,ROHM,Xilinx,Pulse,ON,Everlight and Freescale. Main products comprise IC,Modules,Potentiometer,IC Socket,Relay,Connector.Our parts cover such applications as commercial,industrial, and automotives areas.

We are looking forward to setting up business relationship with you and hope to provide you with the best service and solution. Let us make a better world for our industry!



## Contact us

Tel: +86-755-8981 8866 Fax: +86-755-8427 6832

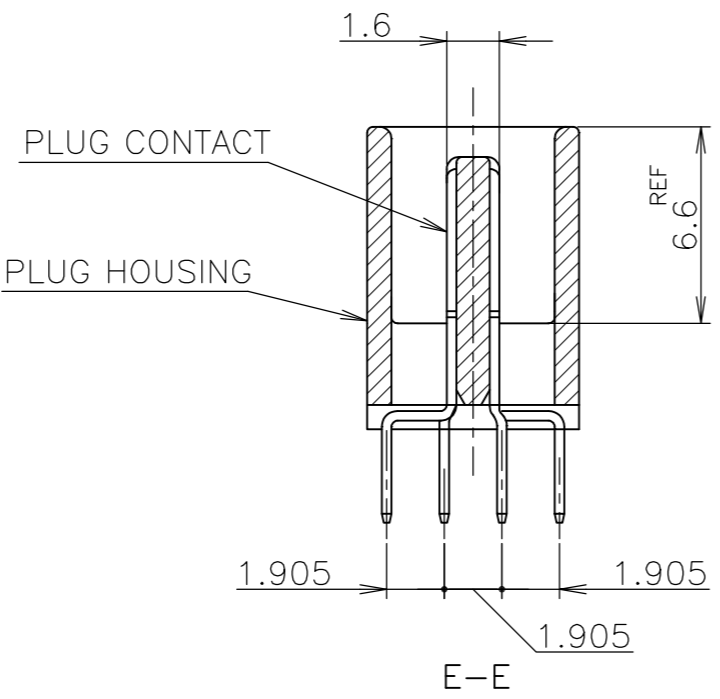
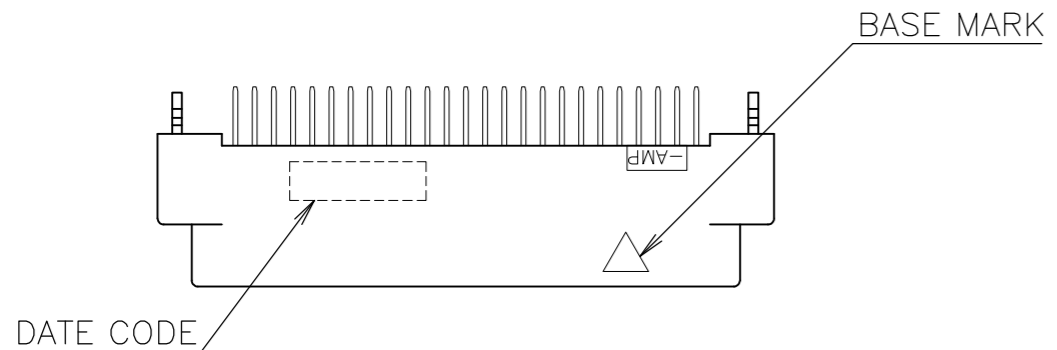
Email & Skype: info@chipsmall.com Web: www.chipsmall.com

Address: A1208, Overseas Decoration Building, #122 Zhenhua RD., Futian, Shenzhen, China

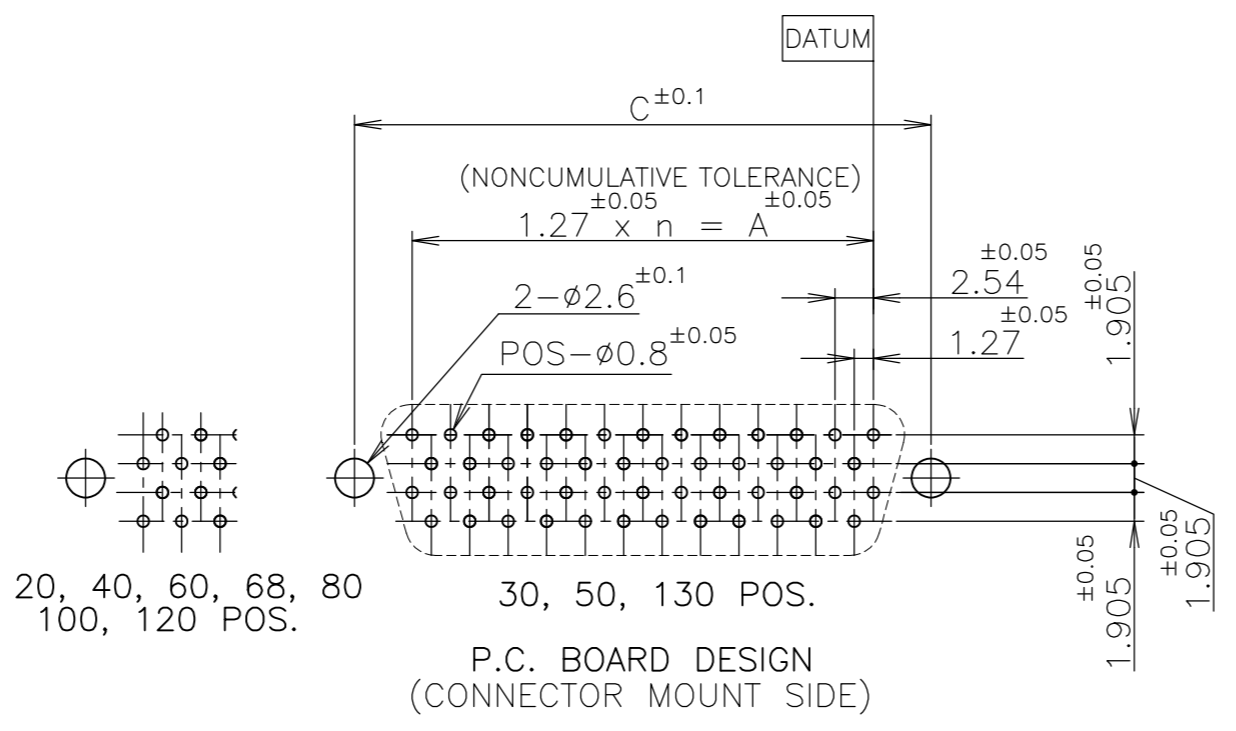
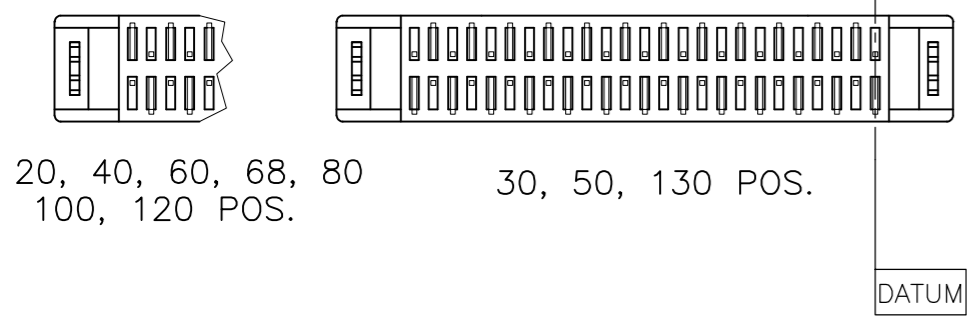
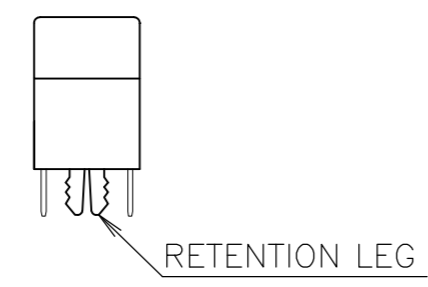
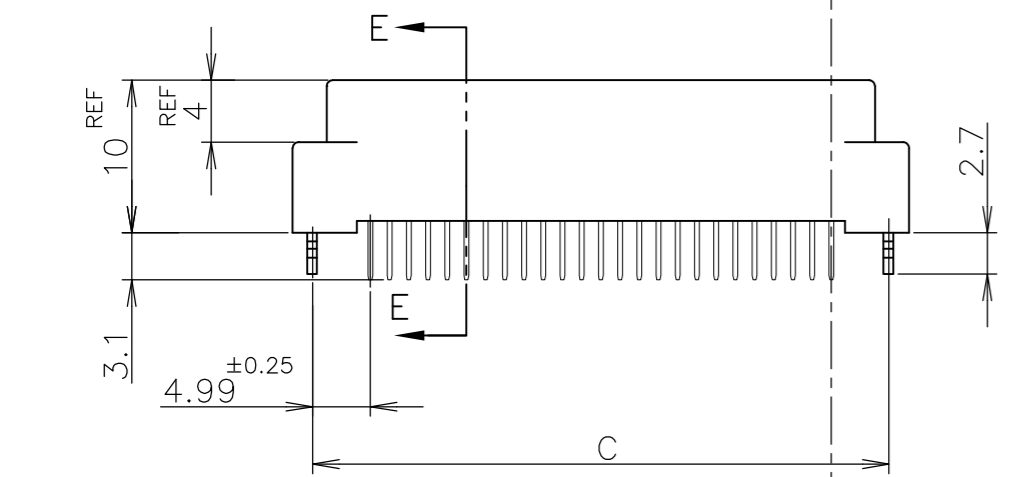
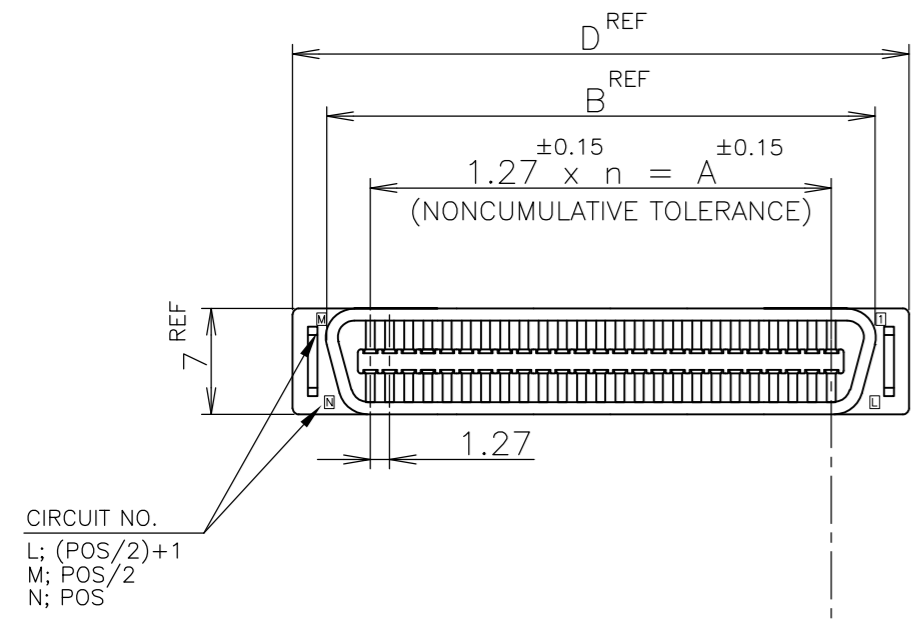


THIS DRAWING IS UNPUBLISHED. RELEASED FOR PUBLICATION OCT., 1988.  
 © COPYRIGHT 1988 A1 ALL RIGHTS RESERVED.

LOC		DIST		REVISIONS				
ES	00	P	LTR	DESCRIPTION	DATE	DWN	APVD	
		B		REVISED PER ECO-12-012349	14MAR13	BL	AC	



- 1 NUMBER "n" S COUNTED FROM DATUM (CIRCUIT NO.1 IS "AMP" MARK SIDE.)
- 2 MATERIAL: HOUSING; 66 NYLON (GF) UL 94V-0, BLACK.  
: CONTACT; PHOSPHOR BRONZE.  
: RETENTION LEG; BRASS.
- 3 FINISH: CONTACT; Au AT CONTACT AREA (SEE TABLE), TIN AT TINE OVER Ni.  
RETENTION LEG; TIN UNDER Ni.



6-	-2		130	64	81.28	89.62	91.25	93.90
6-	-1		120	59	74.93	83.27	84.90	87.55
6-	-0		100	49	62.23	70.57	72.20	74.85
5-	-9		80	39	49.53	57.87	59.50	62.15
5-	-8		68	33	41.91	50.25	51.88	54.53
5-	-7		60	29	36.83	45.17	46.80	49.45
5-	-6		50	24	30.48	38.82	40.45	43.10
5-	-5		40	19	24.13	32.47	34.10	36.75
5-	-3		30	14	17.78	26.12	27.75	30.40
5-	-1	0.00076	20	9	11.43	19.77	21.40	24.05
OBSOLETE 4-	-2		130	64	81.28	89.62	91.25	93.90
4-	-1		120	59	74.93	83.27	84.90	87.55
4-	-0		100	49	62.23	70.57	72.20	74.85
3-	-9		80	39	49.53	57.87	59.50	62.15
3-	-8		68	33	41.91	50.25	51.88	54.53
3-	-7		60	29	36.83	45.17	46.80	49.45
3-	-6		50	24	30.48	38.82	40.45	43.10
3-	-5		40	19	24.13	32.47	34.10	36.75
3-	-3		30	14	17.78	26.12	27.75	30.40
3-	-1	0.0005	20	9	11.43	19.77	21.40	24.05
OBSOLETE 1-	-2		130	64	81.28	89.62	91.25	93.90
1-	-1		120	59	74.93	83.27	84.90	87.55
1-	-0		100	49	62.23	70.57	72.20	74.85
	-9		80	39	49.53	57.87	59.50	62.15
	-8		68	33	41.91	50.25	51.88	54.53
	-7		60	29	36.83	45.17	46.80	49.45
	-6		50	24	30.48	38.82	40.45	43.10
	-5		40	19	24.13	32.47	34.10	36.75
	-3		30	14	17.78	26.12	27.75	30.40
5175473-1		0.0002	20	9	11.43	19.77	21.40	24.05
PART NO.	Au PLATE	POS.	n	A	B	C	D	

LEAD FREE

GENERAL TOLERANCE	
10 ≥ : ±0.2	
30 ≥ > 10: ±0.25	
100 ≥ > 30: ±0.3	
ANGLES: ±3'	

THIS DRAWING IS A CONTROLLED DOCUMENT.

DWN: Julyee Zhu 19AUG2004	TE Connectivity	
CHK: Steven Yao 19AUG2004		
APVD: Ikuo Enomoto 19AUG2004		
NAME: 108-60038		
DIMENSIONS: mm	TOLERANCES UNLESS OTHERWISE SPECIFIED:	NAME: AMP CHAMP .050 CONNECTOR (B-T-B) PLUG CONNECTOR (VERTICAL WITH RETENTION LEG)
0 PLC ±	1 PLC ± -	SIZE: A2
2 PLC ± -	3 PLC ± -	CAGE CODE: 00779
3 PLC ± -	4 PLC ± -	DRAWING NO: C=5175473
4 PLC ± -	ANGLES ± -	RESTRICTED TO
MATERIAL: 2	FINISH: 3	SCALE: NTS
WEIGHT:	CUSTOMER DRAWING	SHEET: 1 of 1
		REV: B