



Chipsmall Limited consists of a professional team with an average of over 10 year of expertise in the distribution of electronic components. Based in Hongkong, we have already established firm and mutual-benefit business relationships with customers from,Europe,America and south Asia,supplying obsolete and hard-to-find components to meet their specific needs.

With the principle of “Quality Parts,Customers Priority,Honest Operation,and Considerate Service”,our business mainly focus on the distribution of electronic components. Line cards we deal with include Microchip,ALPS,ROHM,Xilinx,Pulse,ON,Everlight and Freescale. Main products comprise IC,Modules,Potentiometer,IC Socket,Relay,Connector.Our parts cover such applications as commercial,industrial, and automotives areas.

We are looking forward to setting up business relationship with you and hope to provide you with the best service and solution. Let us make a better world for our industry!



## Contact us

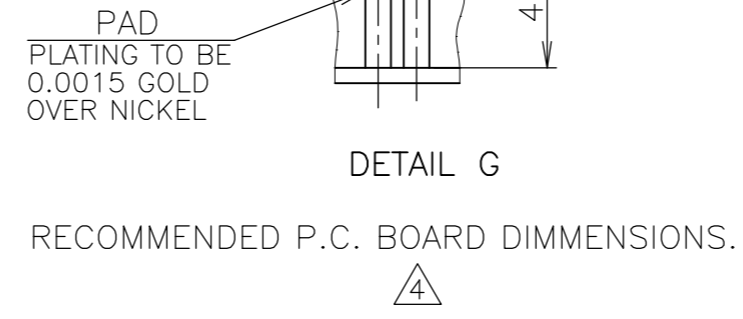
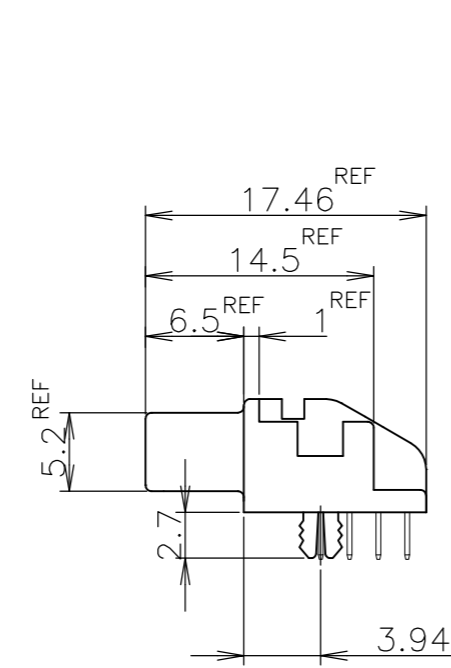
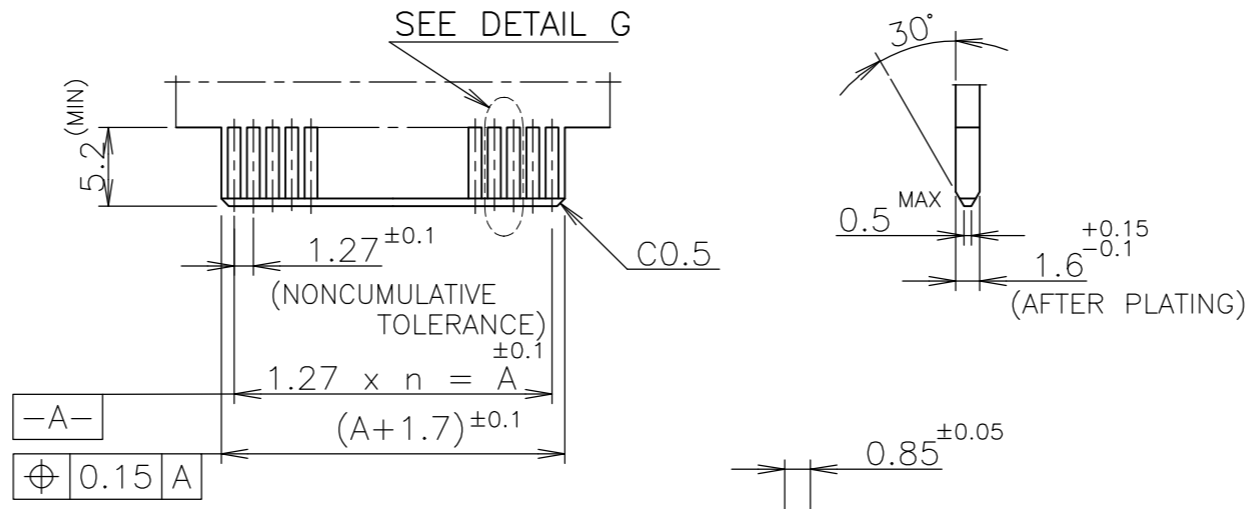
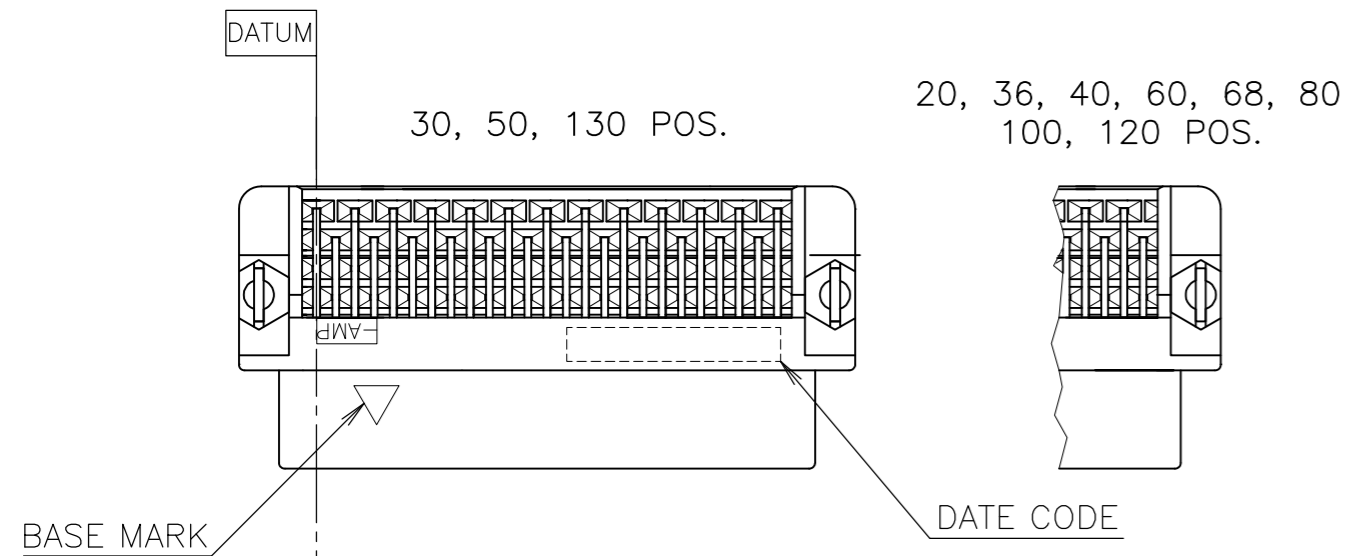
Tel: +86-755-8981 8866 Fax: +86-755-8427 6832

Email & Skype: info@chipsmall.com Web: www.chipsmall.com

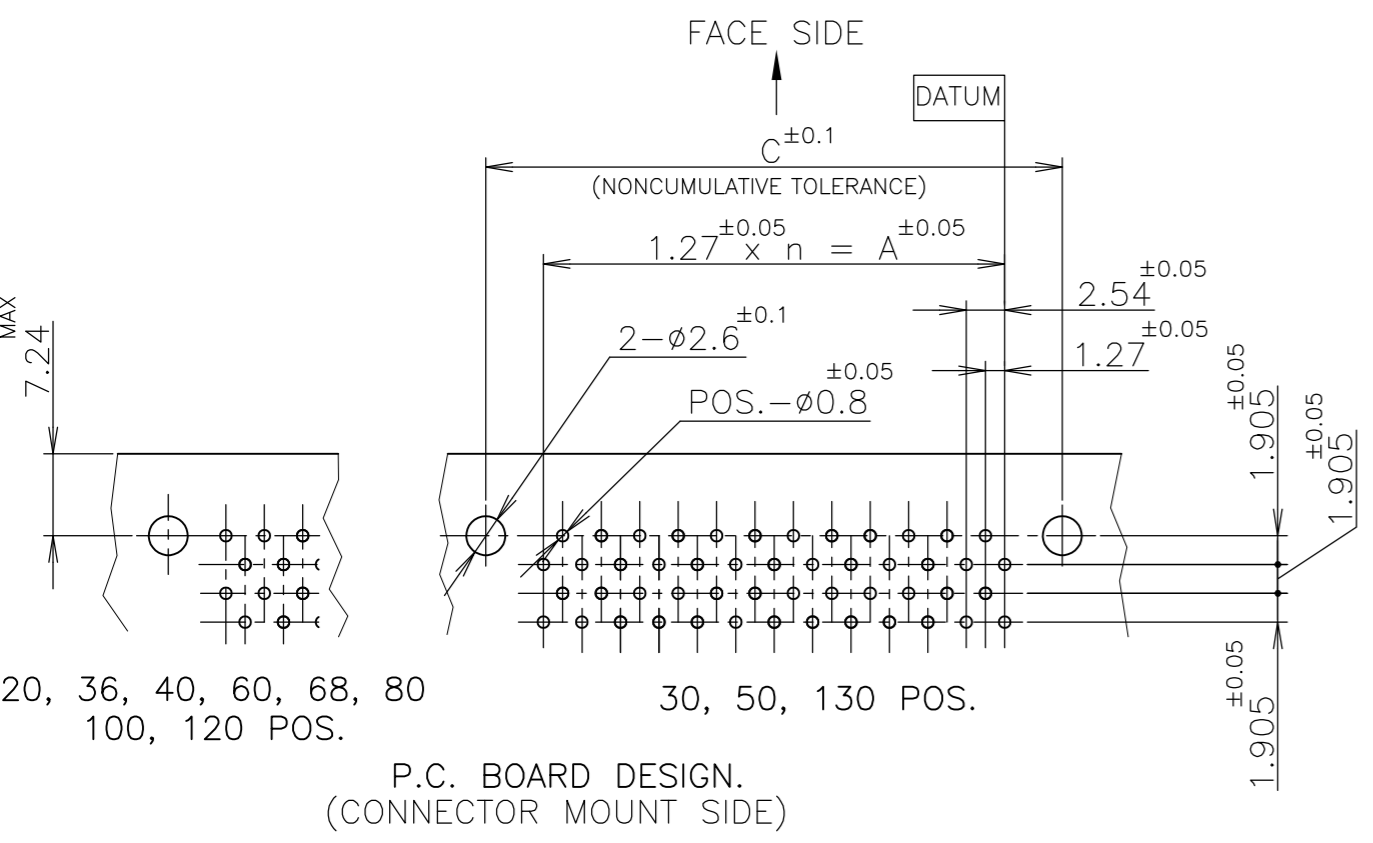
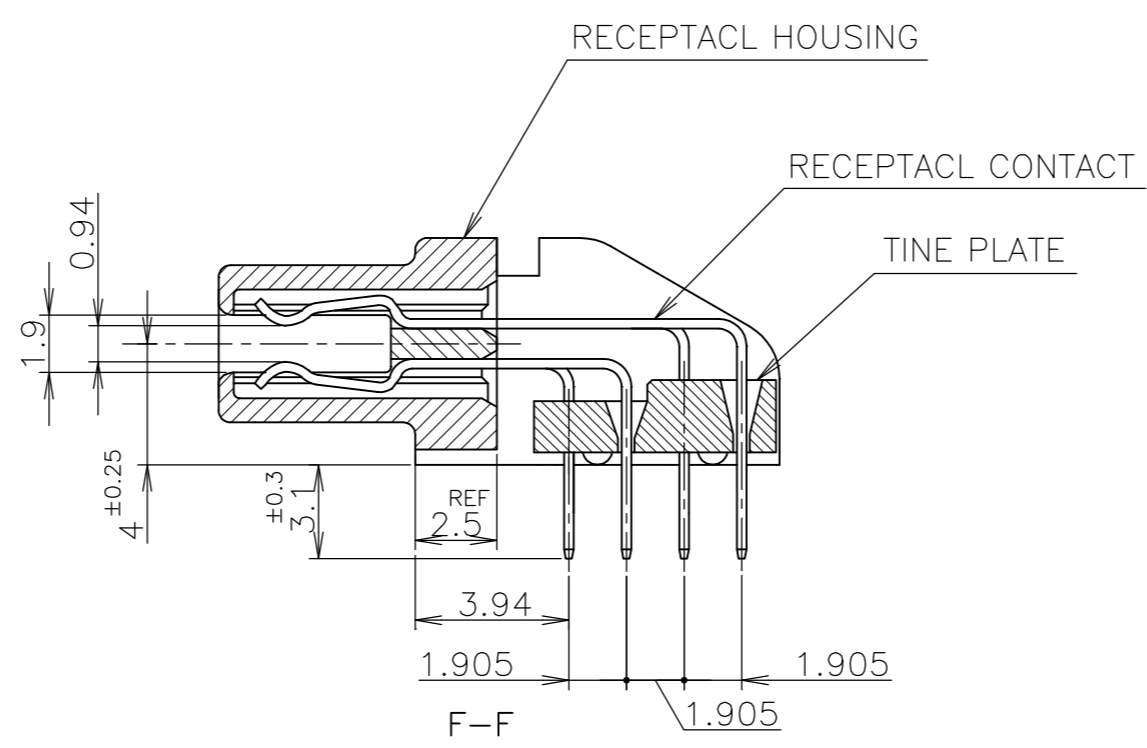
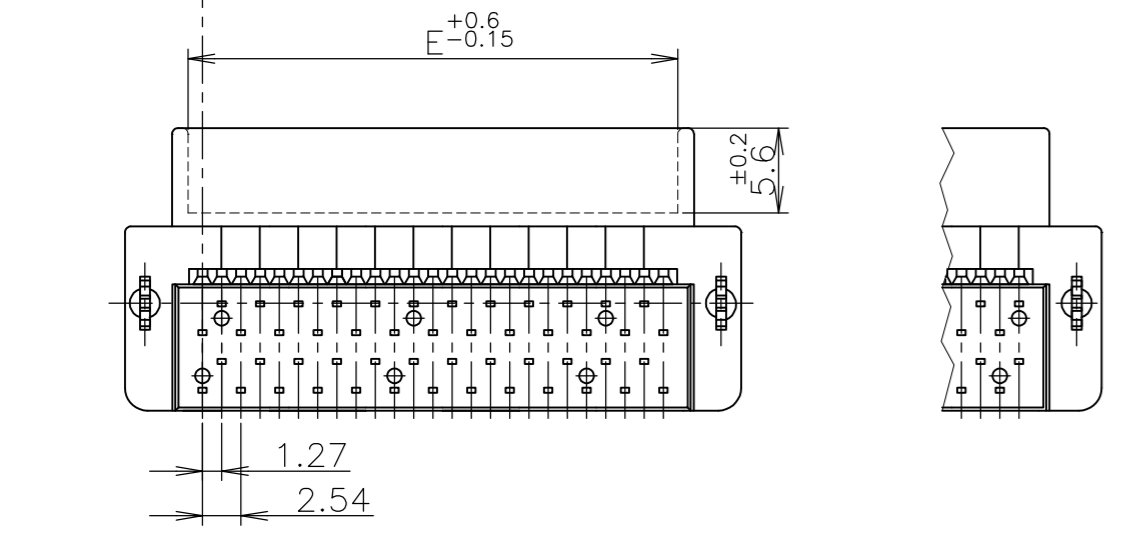
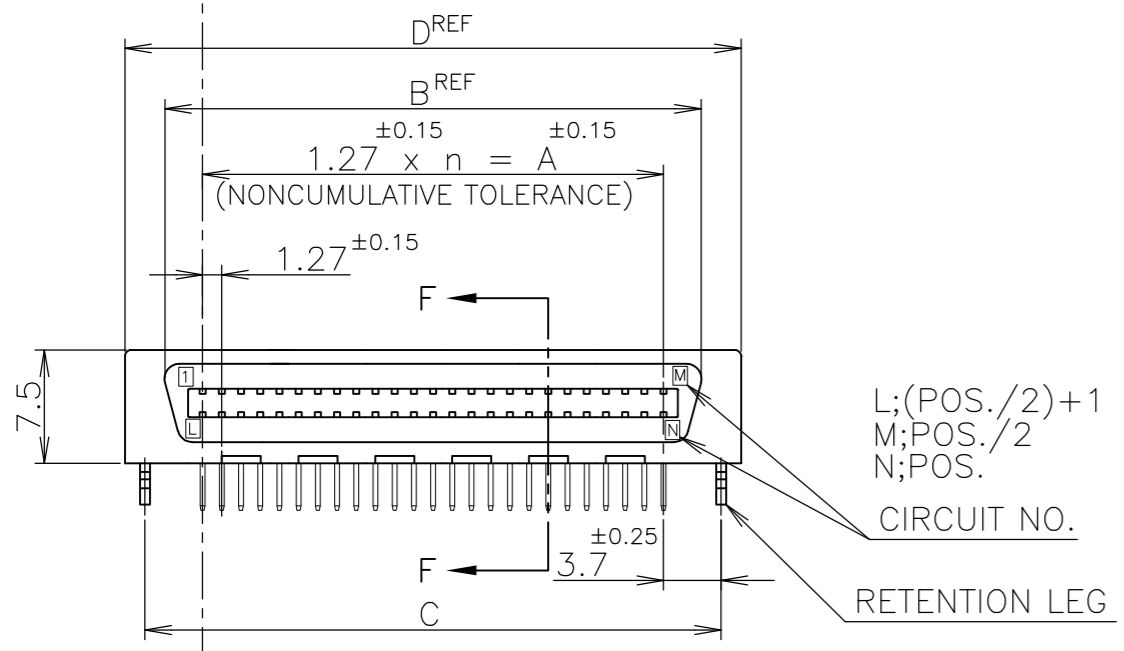
Address: A1208, Overseas Decoration Building, #122 Zhenhua RD., Futian, Shenzhen, China



LOC		DIST		REVISIONS				
ES	00	P	LTR	DESCRIPTION	DATE	DWN	APVD	
		R		REVISED PER ECO-12-012349	28MAR13	BL	AC	



- 1 NUMBER "n" IS COUNTED FROM DATUM (CIRCUIT NO.1 IS "AMP" MARK SIDE.)
- 2 MATERIAL: HOUSING, 66 NYLON (GF) UL 94V-0, BLACK. CONTACT, PHOSPHOR BRONZE. RETENTION LEG; BRASS.
- 3 FINISH: CONTACT; Au AT CONTACT AREA (SEE TABLE), TIN AT TINE, OVER Ni. RETENTION LEG; TIN UNDER Ni.
- 4 P.C. BOARD THK MUST BE 1.6 ± 0.15 FOR CARD EDGE CONNECTOR



LEAD FREE

GENERAL TOLERANCE

10 ≥	± 0.2
30 ≥ > 10	± 0.25
100 ≥ > 30	± 0.3
ANGLES	± 3°

OBSOLETE	6-	-2	130	64	81.28	86.82	88.68	92.48	83.18		
	6-	-1	120	59	74.93	80.47	82.33	86.13	76.83		
	6-	-0	100	49	62.23	67.77	69.63	73.43	64.13		
	5-	-9	80	39	49.53	55.07	56.93	60.73	51.43		
	5-	-8	68	33	41.91	47.45	49.31	53.11	43.81		
	5-	-7	60	29	36.83	42.37	44.23	48.03	38.73		
	5-	-6	50	24	30.48	36.02	37.88	41.68	32.38		
	5-	-5	40	19	24.13	29.67	31.53	35.33	26.03		
	5-	-3	30	14	17.78	23.32	25.18	28.98	19.68		
	5-	-1	20	9	11.43	16.97	18.83	22.63	13.33		
	4-	-2	130	64	81.28	86.82	88.68	92.48	83.18		
	4-	-1	120	59	74.93	80.47	82.33	86.13	76.83		
	4-	-0	100	49	62.23	67.77	69.63	73.43	64.13		
	3-	-9	80	39	49.53	55.07	56.93	60.73	51.43		
	3-	-8	68	33	41.91	47.45	49.31	53.11	43.81		
	3-	-7	60	29	36.83	42.37	44.23	48.03	38.73		
	3-	-6	50	24	30.48	36.02	37.88	41.68	32.38		
	3-	-5	40	19	24.13	29.67	31.53	35.33	26.03		
	3-	-3	30	14	17.78	23.32	25.18	28.98	19.68		
	3-	-1	20	9	11.43	16.97	18.83	22.63	13.33		
OBSOLETE	1-	-2	130	64	81.28	86.82	88.68	92.48	83.18		
	1-	-1	120	59	74.93	80.47	82.33	86.13	76.83		
	1-	-0	100	49	62.23	67.77	69.63	73.43	64.13		
		-9	80	39	49.53	55.07	56.93	60.73	51.43		
		-8	68	33	41.91	47.45	49.31	53.11	43.81		
		-7	60	29	36.83	42.37	44.23	48.03	38.73		
		-6	50	24	30.48	36.02	37.88	41.68	32.38		
		-5	40	19	24.13	29.67	31.53	35.33	26.03		
OBSOLETE		-4	36	17	21.59	27.13	28.99	32.79	23.49		
		-3	30	14	17.78	23.32	25.18	28.98	19.68		
			5175474-1	0.0002	20	9	11.43	16.97	18.83		
			PART NO.	Au PLATE	POS.	n	A	B	C	D	E

THIS DRAWING IS A CONTROLLED DOCUMENT.

DWN	S.ISHIKAWA	13OCT88
CHK	Steven Yao	19AUG2004
APVD	Julyee Zhu	19AUG2004
PRODUCT SPEC	108-60038	
APPLICATION SPEC		

TE Connectivity

AMP CHAMP .050 CONNECTOR (B-T-B) RECEPTACLE COELECTOR (HORIZONTAL WITH RETENTION LEG)

SIZE	A2	CAGE CODE	00779	DRAWING NO	C=5175474
WEIGHT		SCALE	NTS	SHEET	1 of 1
CUSTOMER DRAWING		REV	R		