



Chipsmall Limited consists of a professional team with an average of over 10 year of expertise in the distribution of electronic components. Based in Hongkong, we have already established firm and mutual-benefit business relationships with customers from,Europe,America and south Asia,supplying obsolete and hard-to-find components to meet their specific needs.

With the principle of “Quality Parts,Customers Priority,Honest Operation,and Considerate Service”,our business mainly focus on the distribution of electronic components. Line cards we deal with include Microchip,ALPS,ROHM,Xilinx,Pulse,ON,Everlight and Freescale. Main products comprise IC,Modules,Potentiometer,IC Socket,Relay,Connector.Our parts cover such applications as commercial,industrial, and automotives areas.

We are looking forward to setting up business relationship with you and hope to provide you with the best service and solution. Let us make a better world for our industry!



Contact us

Tel: +86-755-8981 8866 Fax: +86-755-8427 6832

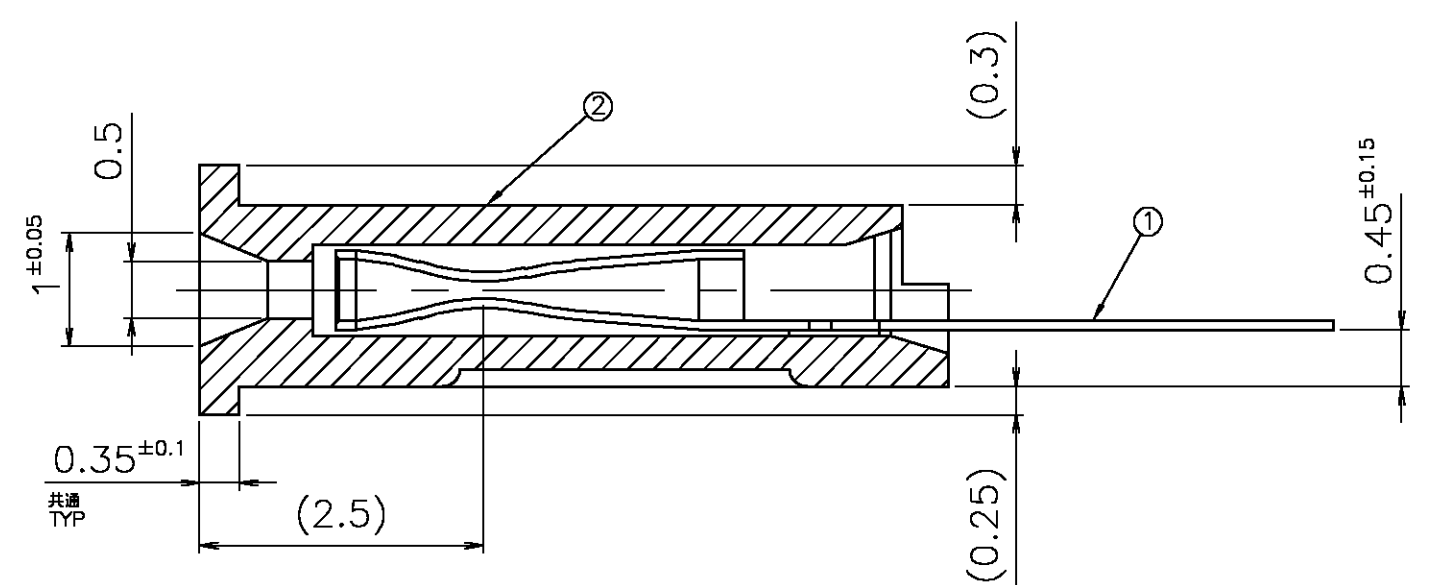
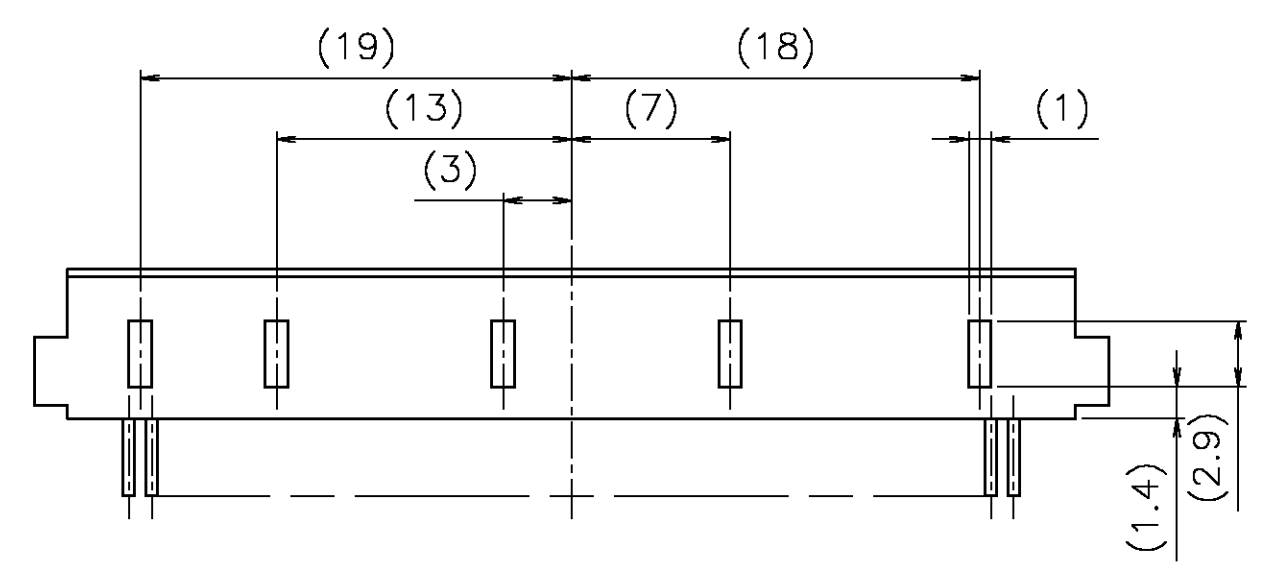
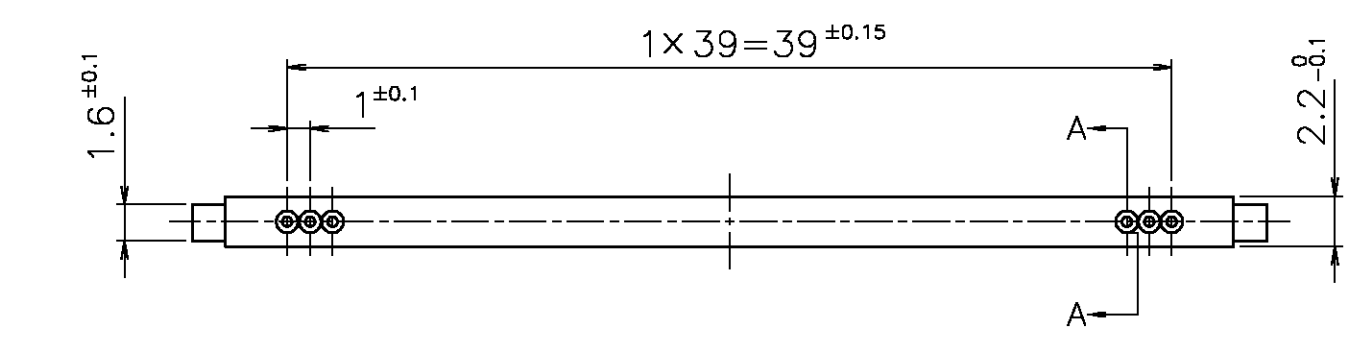
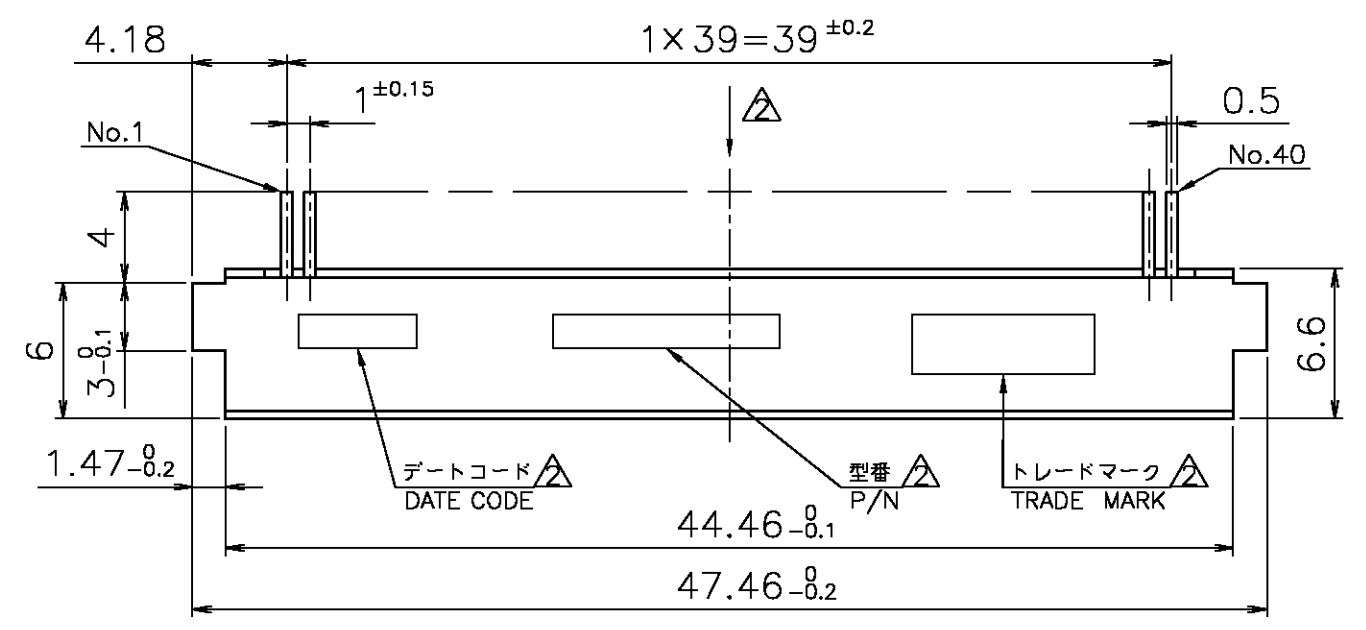
Email & Skype: info@chipsmall.com Web: www.chipsmall.com

Address: A1208, Overseas Decoration Building, #122 Zhenhua RD., Futian, Shenzhen, China



THIS DRAWING IS UNPUBLISHED. RELEASED FOR PUBLICATION
 © COPYRIGHT BY TYCO ELECTRONICS CORPORATION. ALL RIGHTS RESERVED.

LOC	DIST	REVISIONS					
J		P	LTR	DESCRIPTION	DATE	DWN	APVD
		0		RELEASED(FJBO-0066-05)	25JAN05	T.S	Y.Y



断面 A-A
SECT

- 注記
 1 一般公差：±0.3
 2 マーキングは矢印方向から読めること。
 3 ポスト単体引抜き力：10g以上(φ0.35のピンゲージ使用)
 4 カン合相手型番：5175758-1、-2
- NOTE
 1 GENERAL TOLERANCE:±0.3
 2 MARKING LETTERS CAN BE READ BY THE ARROW SIDE.
 3 POST EXTRACTION FORCE:10gMIN.(φ0.35 GAGE PIN)
 4 MATE WITH P/N 5175158-1,-2

1	REC HSG リセハウジング	G.F. ガラス入りPPS(94V-0)	COLOR:BLACK 色:黒	②
40	REC CONT. リセコンタクト	BE-CU OR EQU'T ベリリウム銅/同等品	Ni PL 全面ニッケル下地 CONT AREA: AuPL. 接点部: 金めっき TAIN AREA: Sn PL. タイン部: Snめっき	①
数量 QTY	名称 NAME	材料 MATERIAL	仕上 FINISH	アイテム ITEM

THIS DRAWING IS A CONTROLLED DOCUMENT.		DWN T.SEKINE	25JAN05	Tyco Electronics AMP K.K. Kawasaki, Japan	
DIMENSIONS: 単位: 耗 mm		CHK S.TODA	25JAN05		
TOLERANCES UNLESS OTHERWISE SPECIFIED: 一般公差		APVD Y.YAMAMOTO	25JAN05	NAME 名称 REC ASS'Y	
0 PLC ±		PRODUCT SPEC 製品規格 108-5286		AMP MEMORY CARD CONNECTOR (1mm PITCH 40P)	
1 PLC ±		APPLICATION SPEC 取付適用規格		SIZE	CAGE CODE
2 PLC ±		WEIGHT		A3	00779
3 PLC ±		CUSTOMER DRAWING		DRAWING NO 番号 C-5175564	
4 PLC ±		FINISH 仕上		RESTRICTED TO	
ANGLES ±		SCALE 尺度 FREE		SHEET 1 OF 1	REV 0

5175564-1: AS SHOWN