



Chipsmall Limited consists of a professional team with an average of over 10 year of expertise in the distribution of electronic components. Based in Hongkong, we have already established firm and mutual-benefit business relationships with customers from,Europe,America and south Asia,supplying obsolete and hard-to-find components to meet their specific needs.

With the principle of “Quality Parts,Customers Priority,Honest Operation,and Considerate Service”,our business mainly focus on the distribution of electronic components. Line cards we deal with include Microchip,ALPS,ROHM,Xilinx,Pulse,ON,Everlight and Freescale. Main products comprise IC,Modules,Potentiometer,IC Socket,Relay,Connector.Our parts cover such applications as commercial,industrial, and automotives areas.

We are looking forward to setting up business relationship with you and hope to provide you with the best service and solution. Let us make a better world for our industry!



Contact us

Tel: +86-755-8981 8866 Fax: +86-755-8427 6832

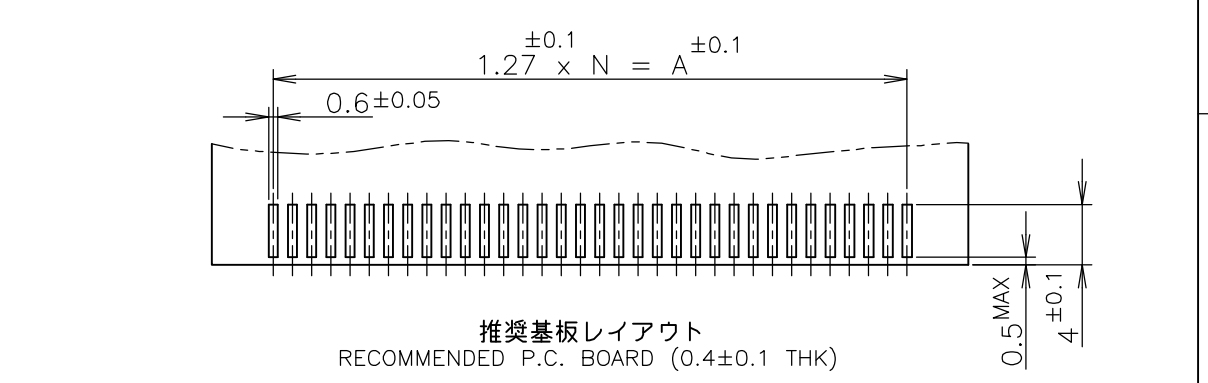
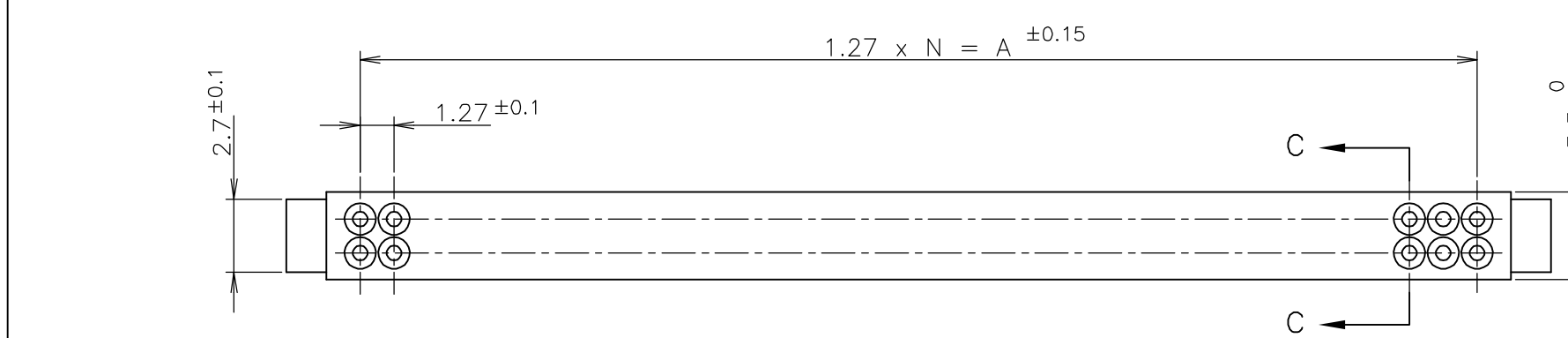
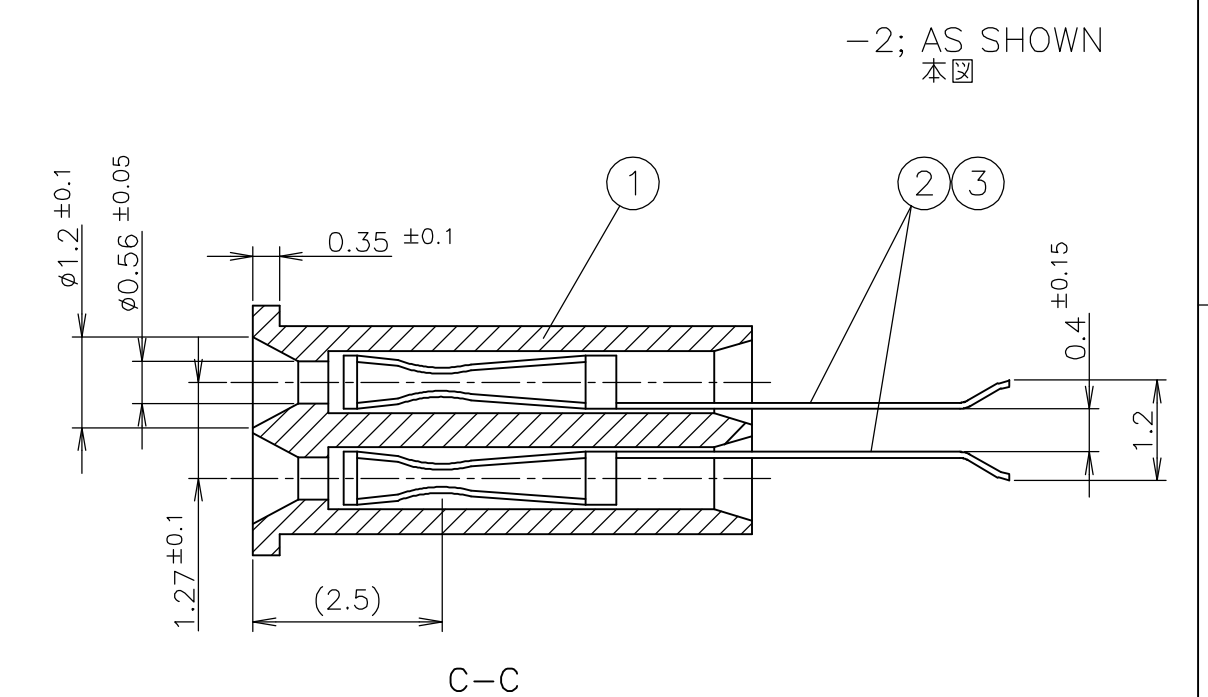
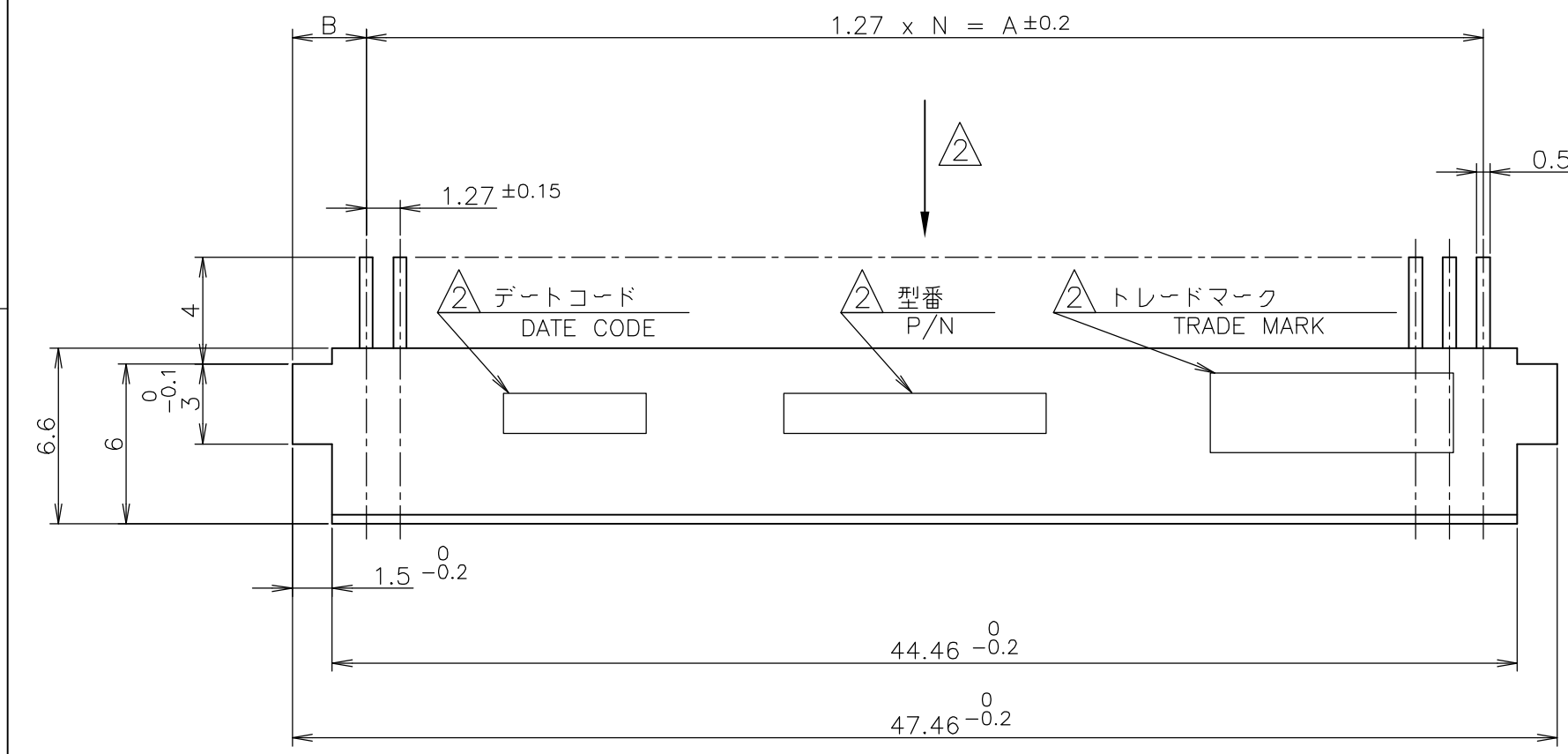
Email & Skype: info@chipsmall.com Web: www.chipsmall.com

Address: A1208, Overseas Decoration Building, #122 Zhenhua RD., Futian, Shenzhen, China



THIS DRAWING IS UNPUBLISHED. RELEASED FOR PUBLICATION JUN , 2005.
 © COPYRIGHT 2005 BY TYCO ELECTRONICS CORPORATION. ALL RIGHTS RESERVED.

LOC	DIST	REVISIONS		
J	/	P	LTR	DESCRIPTION
		A	RELEASED	DATE
				DWN
				APVD
				20JUN05
				T.T
				Y.Y



- 1 一般公差; ±0.3
 - △ マーキングは矢視方向から読めること。
 - 3 ポスト単体引抜き力: 0.098N (10gf) 以上 (ø0.42のゲージピン使用)
 - 4 かん合相手型番 5175649-2, 5178431-1
-
- 1 GENERAL TOLERANCE; ±0.3
 - △ MARKING LETTERS CAN BE READ BY THE ARROW SIDE.
 - 3 POST EXTRACTION FORCE; 0.098N (10gf) MIN. (ø0.42 GAGE PIN)
 - 4 MATE WITH 5175649-1, 5178431-1

② ③	コンタクト CONT.	BE-CU OR EQU'T ベリリウム銅/同等品	Ni PL. Au PL. 全面ニッケル下地、金めっき
①	ハウジング HSG	G.F. ガラス入 PPS (94V-0)	COLOR:BLACK 色:黒
アイテム ITEM	名称 NAME	材料 MATERIAL	仕上 FINISH

1.27µm MIN	↑	↑	↑	↑	5175651-3
0.3µm MIN	2.73	41.91	33	68	5175651-2
Au THK	B	A	N	極数 POS	型番 PART NO

THIS DRAWING IS A CONTROLLED DOCUMENT.		DWN T.TSUZAKI 20JUN05	Tyco Electronics AMP K.K. Kawasaki, Japan		
DIMENSIONS: 単位: 耗 mm		CHK K.YAMAGUCHI 20JUN05			
TOLERANCES UNLESS OTHERWISE SPECIFIED: 一般公差		APVD Y.YAMAMOTO 20JUN05	NAME 名称		
0 PLC ±		PRODUCT SPEC 製品規格			
1 PLC ±		APPLICATION SPEC 取付適用規格			
2 PLC ±		SIZE			
3 PLC ±		CAGE CODE			
4 PLC ±		DRAWING NO 番号			
ANGLES ±		RESTRICTED TO			
FINISH 仕上		A3 00779 C-5175651			
MATERIAL 材料 SEE TABLE		CUSTOMER DRAWING			
SEE TABLE		SCALE 尺度 2:1		SHEET 1 OF 1	
				REV A	