



Chipsmall Limited consists of a professional team with an average of over 10 year of expertise in the distribution of electronic components. Based in Hongkong, we have already established firm and mutual-benefit business relationships with customers from,Europe,America and south Asia,supplying obsolete and hard-to-find components to meet their specific needs.

With the principle of "Quality Parts,Customers Priority,Honest Operation,and Considerate Service",our business mainly focus on the distribution of electronic components. Line cards we deal with include Microchip,ALPS,ROHM,Xilinx,Pulse,ON,Everlight and Freescale. Main products comprise IC,Modules,Potentiometer,IC Socket,Relay,Connector.Our parts cover such applications as commercial,industrial, and automotives areas.

We are looking forward to setting up business relationship with you and hope to provide you with the best service and solution. Let us make a better world for our industry!



Contact us

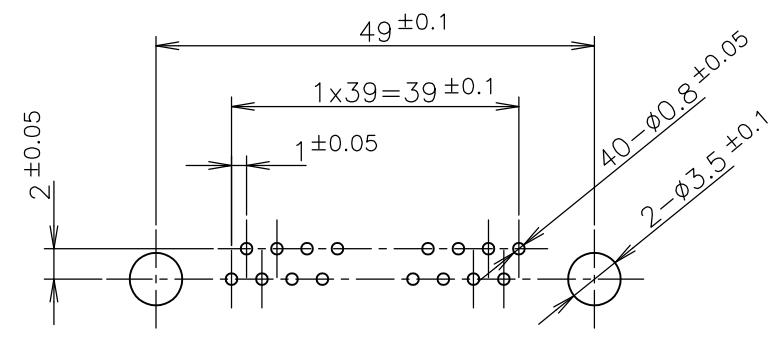
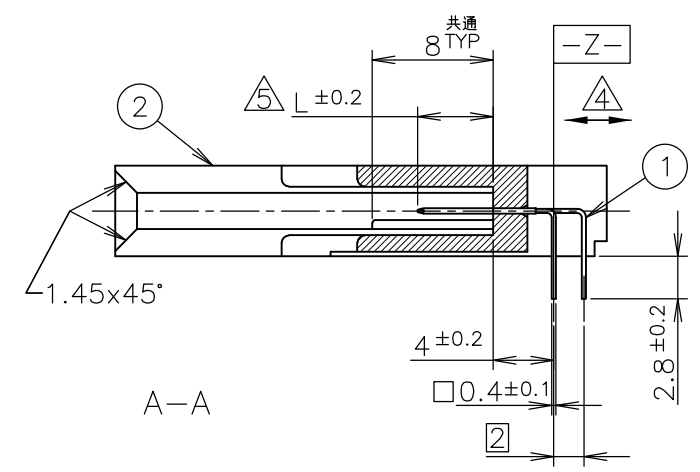
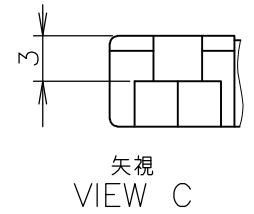
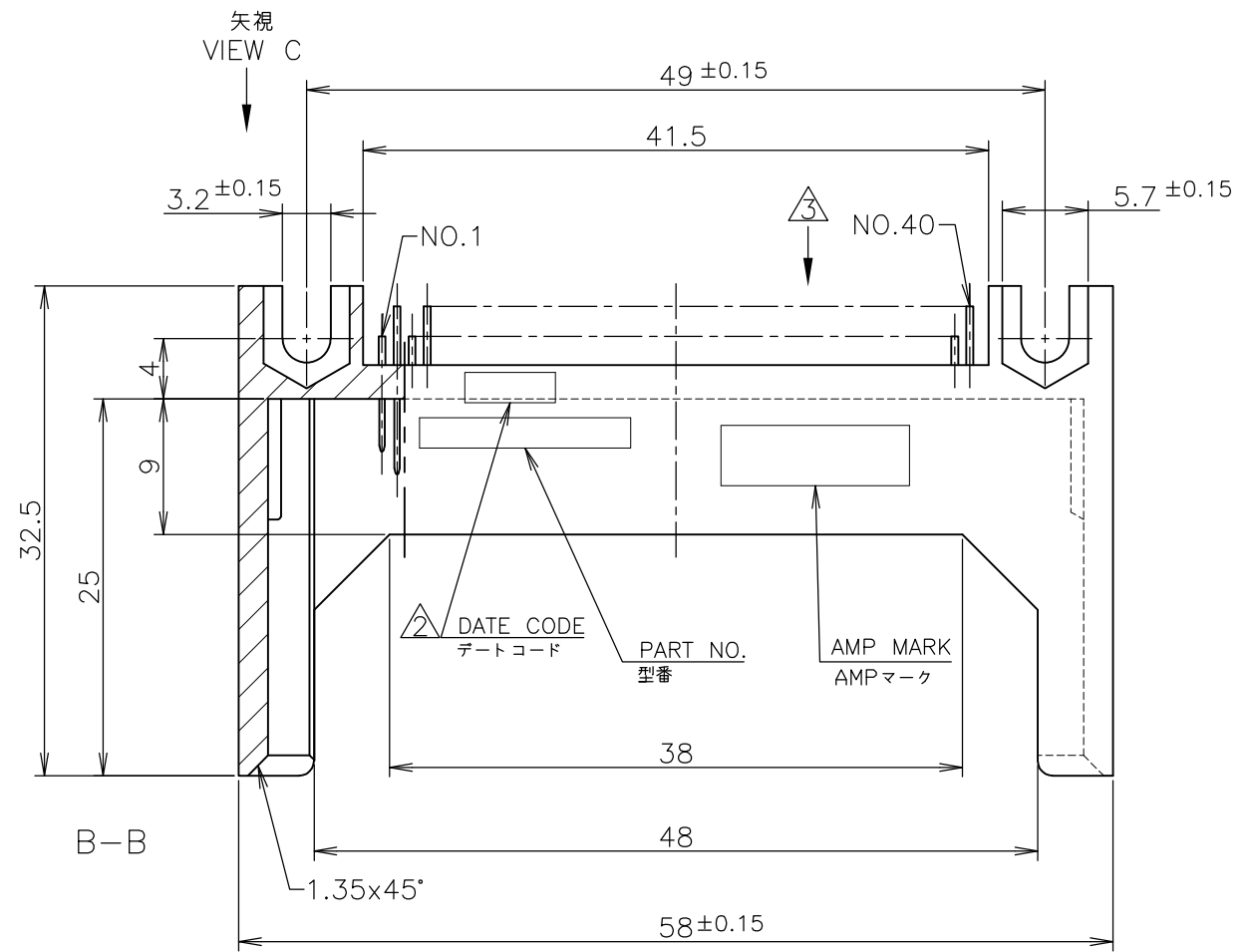
Tel: +86-755-8981 8866 Fax: +86-755-8427 6832

Email & Skype: info@chipsmall.com Web: www.chipsmall.com

Address: A1208, Overseas Decoration Building, #122 Zhenhua RD., Futian, Shenzhen, China



| LOC | DIST | REVISIONS | | | | | |
|-----|------|-----------|-----|-----------------------|-----------|-----|------|
| J | / | P | LTR | DESCRIPTION | DATE | DWN | APVD |
| | | C | | REVISED ECR-10-014655 | 13JUL2010 | T.T | T.M |



REFERENCE BOARD LAYOUT THK: 1.6±0.15
 参考取付基板寸法 (基板厚: 1.6±0.15)
 (コネクタ実装面側)
 CONNECTOR MOUNTING SIDE

- 1 一般公差: ±0.3
- ② ホットマーキングを施す。
- ③ マーキングは矢視方向から読めること。
- ④ この方向のポスト保持力は4.9N (0.5Kgf)以上。
- ⑤ ポスト長Lは下記の通り。

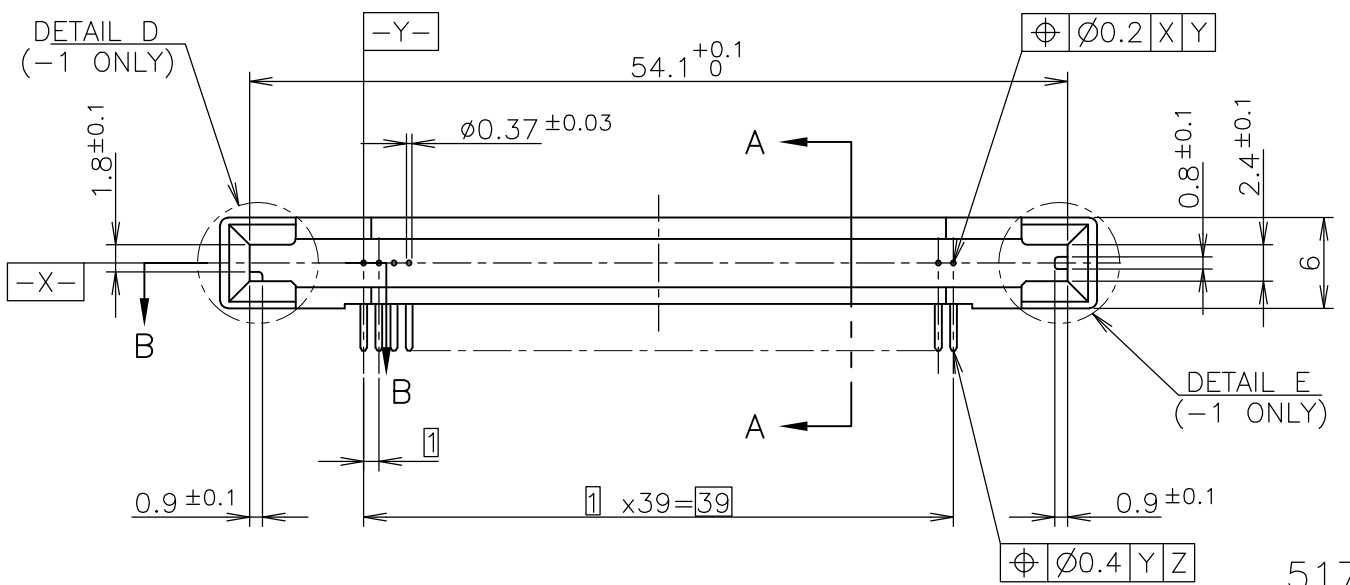
| | | | |
|----|-----|-----------|------|
| L長 | 5.0 | 3.5 | 4.0 |
| 回路 | -1 | 2,3,38,39 | 1,40 |
| 番号 | -2 | | その他 |

6 嵌合相手型番: 5175564-1

- 1 GENERAL TOLERANCE: ±0.3
- ② HOT MARKING
- ③ MARKING LETTERS CAN BE READ BY ARROW SIDE.
- ④ POST RETENTION FORCE: 4.9N (0.5Kgf) MIN.
- ⑤ L DIMENSION AS BELOW.

| | | | |
|-----|-----|-----------|---------|
| L | 5.0 | 3.5 | 4.0 |
| NO. | -1 | 2,3,38,39 | 1,40 |
| | -2 | | REMAINS |

6 MATE WITH: 5175564-1



5175758-1:AS SHOWN

| | | | | | |
|----|---------------------------------|-------------------------------------|--|-----------|-----------|
| 1 | POST HSG (O/U TYPE) ポストハウジング | G.F. PBT (94V-0) ガラス入りPBT(94V-0) | COLOR: BLACK 色: 黒 | ② | |
| 1 | POST HSG (STD TYPE) ポストハウジング | | | | |
| 40 | POST CONT. ポストコンタクト | BRASS 黄銅 | Ni PL. 全面ニッケル下地 CONT AREA: Au PL. 接点部: 金めっき TAIN AREA: Sn PL. タイン部: Snめっき | ① | |
| -2 | -1 | 名称 NAME | 材料 MATERIAL | 仕上 FINISH | アイテム ITEM |
| | | 型番 P/N | | | |

| | |
|--|---|
| THIS DRAWING IS A CONTROLLED DOCUMENT. | |
| DIMENSIONS: 単位: 耗 mm | TOLERANCES UNLESS OTHERWISE SPECIFIED: 一般公差 |
| 0 PLC ± | 1 PLC ± |
| 2 PLC ± | 3 PLC ± |
| 4 PLC ± | ANGLES ± |
| MATERIAL 材料 | FINISH 仕上 |

| | | |
|---------------------------------|---|---------------------|
| DWN T.SEKINE 27JAN2005 | Tyco Electronics Corporation Kawasaki, Japan | |
| CHK S.TODA 27JAN2005 | NAME Y.YAMAMOTO | |
| APVD Y.YAMAMOTO 27JAN2005 | PRODUCT SPEC 製品規格 108-5286 | |
| APPLICATION SPEC 取付適用規格 | POST HDR AMP MEMORY CARD CONNECTOR 1mm PITCH 40P, R/A | |
| WEIGHT | SIZE A3 | CAGE CODE 00779 |
| | DRAWING NO 番号 G-5175758 | RESTRICTED TO 番号 |
| CUSTOMER DRAWING | SCALE 尺度 NTS | SHEET 1 OF 1 |
| | | REV C |

