



Chipsmall Limited consists of a professional team with an average of over 10 year of expertise in the distribution of electronic components. Based in Hongkong, we have already established firm and mutual-benefit business relationships with customers from,Europe,America and south Asia,supplying obsolete and hard-to-find components to meet their specific needs.

With the principle of "Quality Parts,Customers Priority,Honest Operation,and Considerate Service",our business mainly focus on the distribution of electronic components. Line cards we deal with include Microchip,ALPS,ROHM,Xilinx,Pulse,ON,Everlight and Freescale. Main products comprise IC,Modules,Potentiometer,IC Socket,Relay,Connector.Our parts cover such applications as commercial,industrial, and automotives areas.

We are looking forward to setting up business relationship with you and hope to provide you with the best service and solution. Let us make a better world for our industry!



Contact us

Tel: +86-755-8981 8866 Fax: +86-755-8427 6832

Email & Skype: info@chipsmall.com Web: www.chipsmall.com

Address: A1208, Overseas Decoration Building, #122 Zhenhua RD., Futian, Shenzhen, China



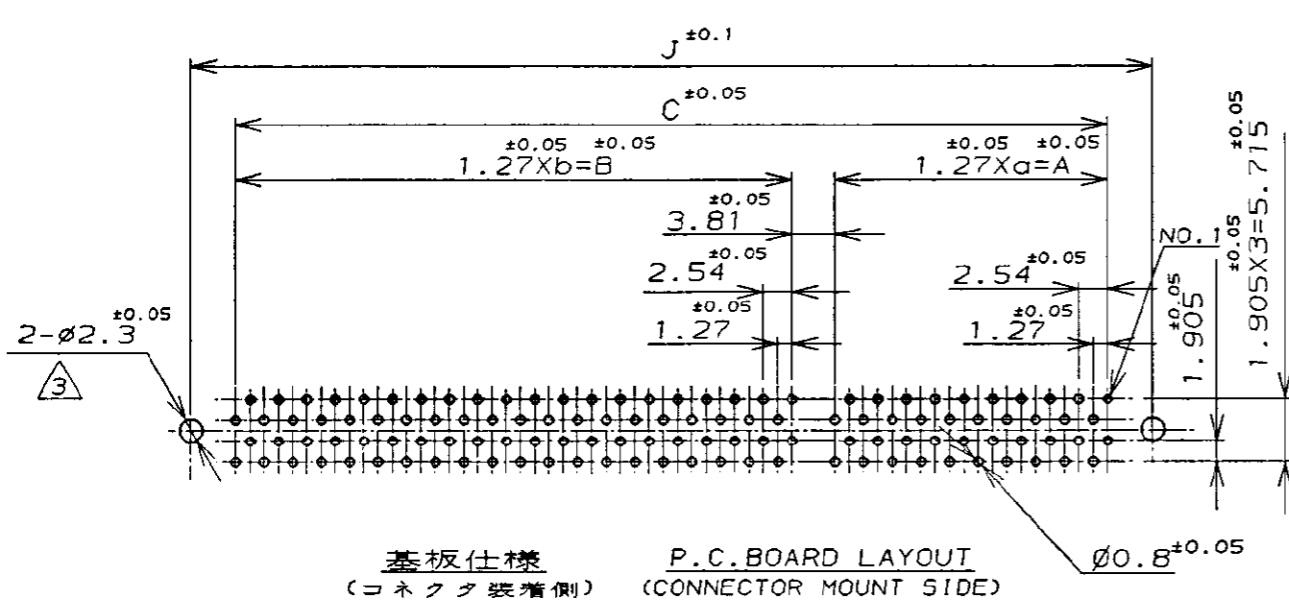
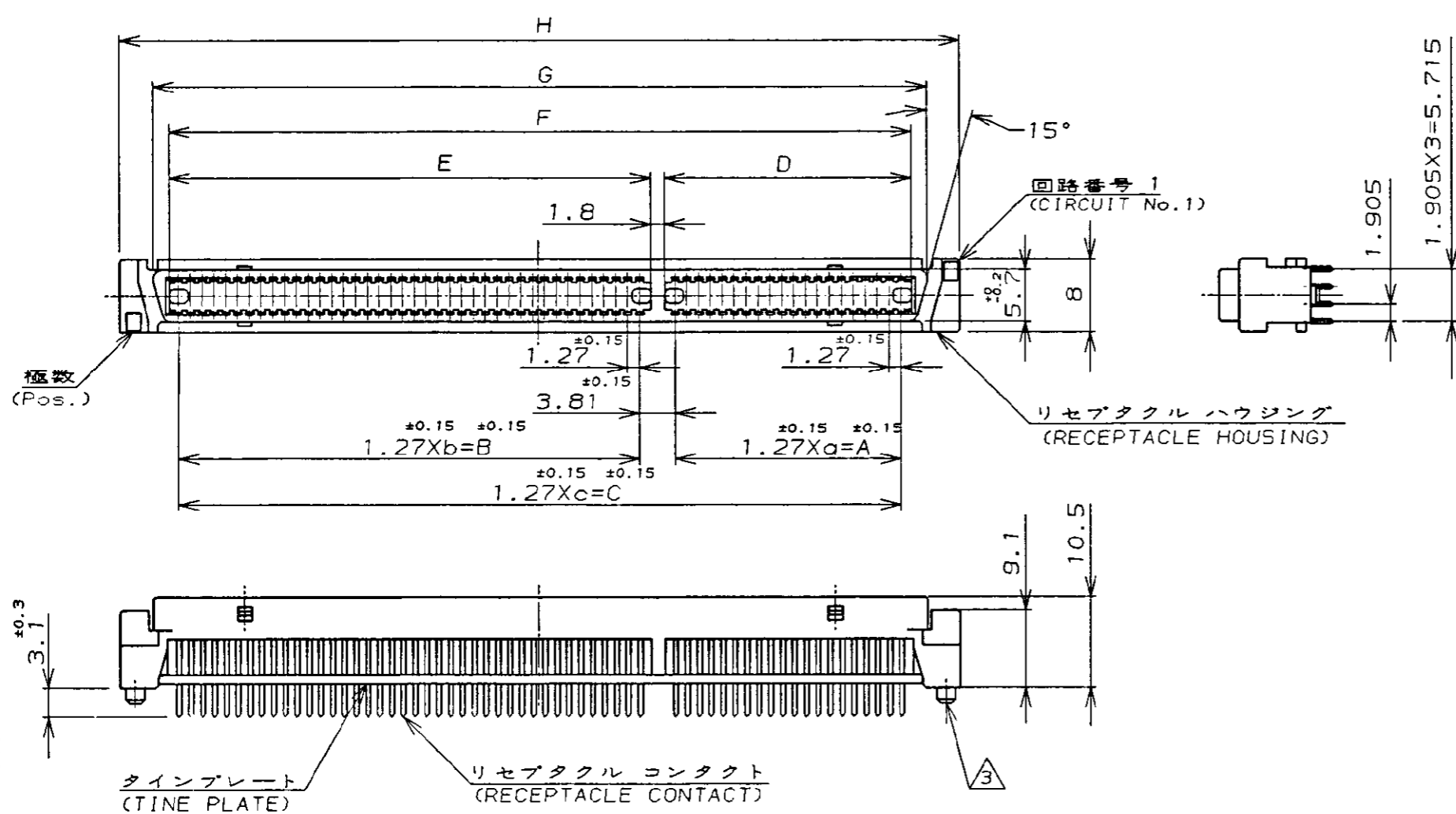
NUMBER C-5176373

3rd ANGLE PROJECTION

METRIC

DIMENSIONS IN MILLIMETERS. DO NOT SCALE PRINT

PRINT DIST



THK OF GOLD	Pos.	a	A	b	B	c	C	D	E	F	G	H	J	P/N
0.76µm	100	—	—	—	—	49	62.23	—	—	64.23	67.32	74.85	72.2	2- ↑ -4
	180	39	49.53	49	62.23	—	115.57	51.53	64.23	117.57	120.66	128.19	125.54	④ ① 8
	160	29	36.83	49	62.23	—	102.87	38.83	64.23	104.87	107.96	115.49	112.84	④ ① 7
	140	29	36.83	39	49.53	—	90.17	38.83	51.53	92.17	95.26	102.79	100.14	④ ① 6
	120	19	24.13	39	49.53	—	77.47	26.13	51.53	79.47	82.56	90.09	87.44	④ ① 5
0.3µm	100	—	—	—	—	49	62.23	—	—	64.23	67.32	74.85	72.2	-4
	80	—	—	—	—	39	49.53	—	—	51.53	54.62	62.15	59.5	④ ① 3
	60	—	—	—	—	29	36.83	—	—	38.83	41.92	49.45	46.8	-2
	40	—	—	—	—	19	24.13	—	—	26.13	29.22	36.75	34.1	④ ① 5176373-1

- NOTE:
- ① MATERIAL:HOUSING, TINE PLATE:THERMOPLASTICS (UL 94V-0) BLACK
CONTACT:COPPER ALLOY
RETENTION LEG:COPPER ALLOY
 - ② FINISH:CONTACT:Au AT CONTACT AREA
TIN AT TINE, OVER Ni
RETENTION LEG:TIN, OVER Ni
 - ③ BOSS FOR POSITIONING:P/N -1,-2,-3,-4
 - ④ OBSOLETE

- 注記:
- ① 材料:ハウジング、タインプレート:熱可塑性樹脂 (UL 94V-0) 色:黒
コンタクト:銅合金
リテンションレグ:銅合金
 - ② 表面仕上げ:
コンタクト:全面ニッケル下地めっき
接触部金めっき、脚部すずめっき
リテンションレグ:ニッケル下地めっきにすずめっき
 - ③ ボスは型番 -1,-2,-3,-4 のみ

鉛フリー
LEAD FREE

				TE TE Connectivity	
WIRE RANGE		INSULATION DIA		NAME	
mm ² (AWG -)		mmφ		AMP FH CONNECTOR RECEPTACLE (VERTICAL) FOR 13mm STACKING	
MATERIAL		FINISH		GENERAL TOLERANCE	
①		①		0 < w < 10 : ±0.2 10 < w < 30 : ±0.25 30 < w < 100 : ±0.3 ANGLES : ±3°	
A ECR-12-013273		26MAR2013		SIZE LOC NUMBER	
O RELEASED (FJEO-0582-04)		09JUN04		A3 J C-5176373	
LTR DESCRIPTION		DATE DWN APVD		SCALE NTS	
				REV. A	
				SHEET 1 OF 1	

CUSTOMER DRAWING