



Chipsmall Limited consists of a professional team with an average of over 10 year of expertise in the distribution of electronic components. Based in Hongkong, we have already established firm and mutual-benefit business relationships with customers from,Europe,America and south Asia,supplying obsolete and hard-to-find components to meet their specific needs.

With the principle of “Quality Parts,Customers Priority,Honest Operation,and Considerate Service”,our business mainly focus on the distribution of electronic components. Line cards we deal with include Microchip,ALPS,ROHM,Xilinx,Pulse,ON,Everlight and Freescale. Main products comprise IC,Modules,Potentiometer,IC Socket,Relay,Connector.Our parts cover such applications as commercial,industrial, and automotives areas.

We are looking forward to setting up business relationship with you and hope to provide you with the best service and solution. Let us make a better world for our industry!



## Contact us

Tel: +86-755-8981 8866 Fax: +86-755-8427 6832

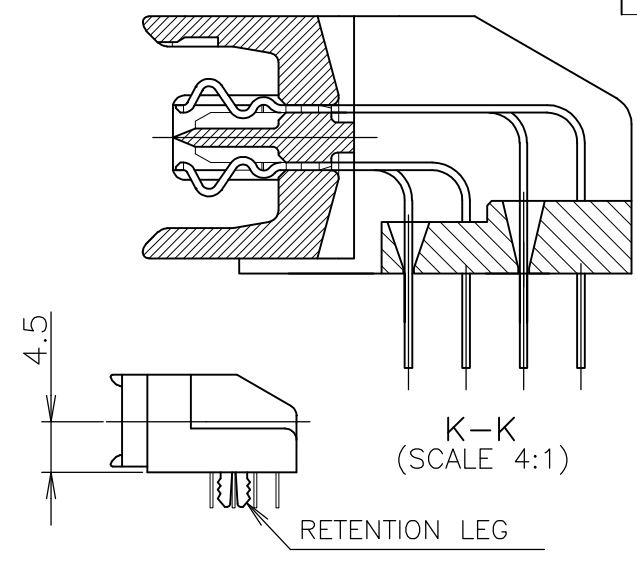
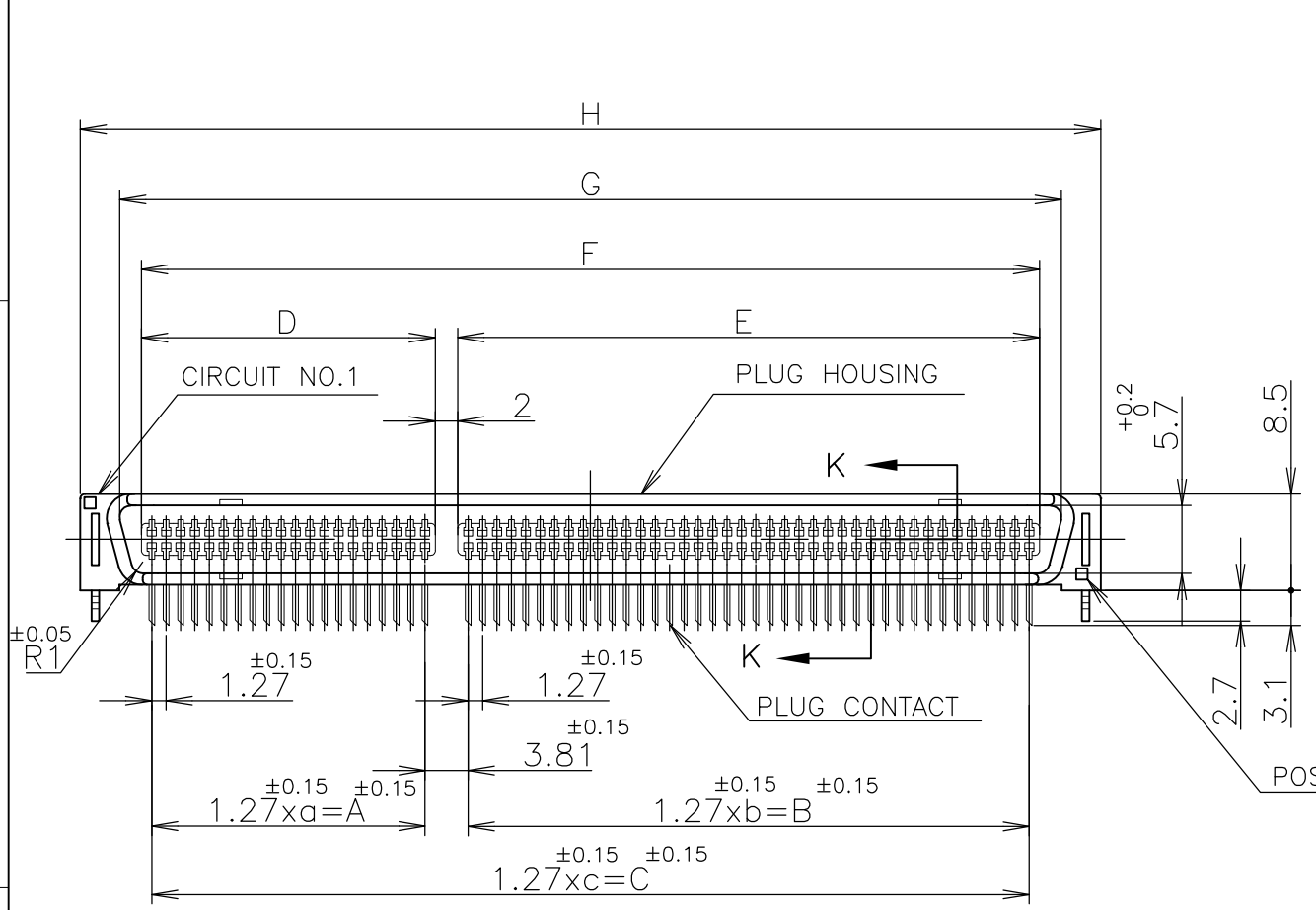
Email & Skype: info@chipsmall.com Web: www.chipsmall.com

Address: A1208, Overseas Decoration Building, #122 Zhenhua RD., Futian, Shenzhen, China



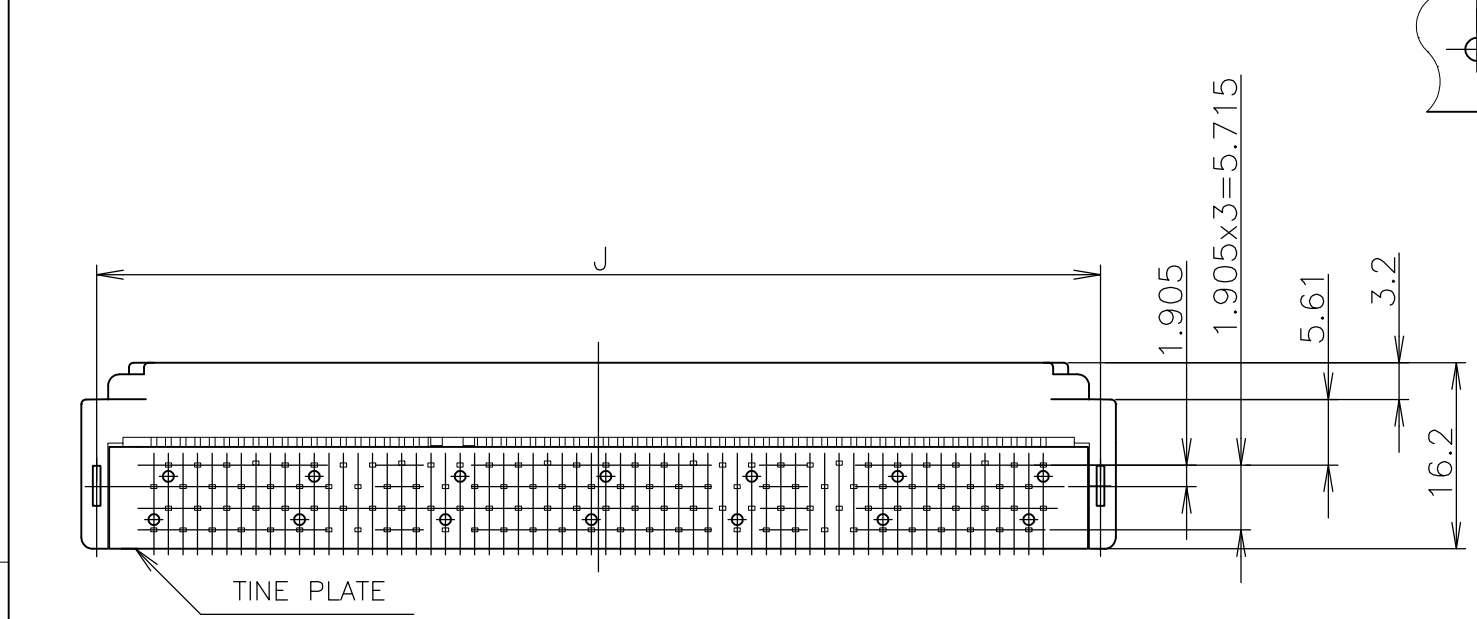
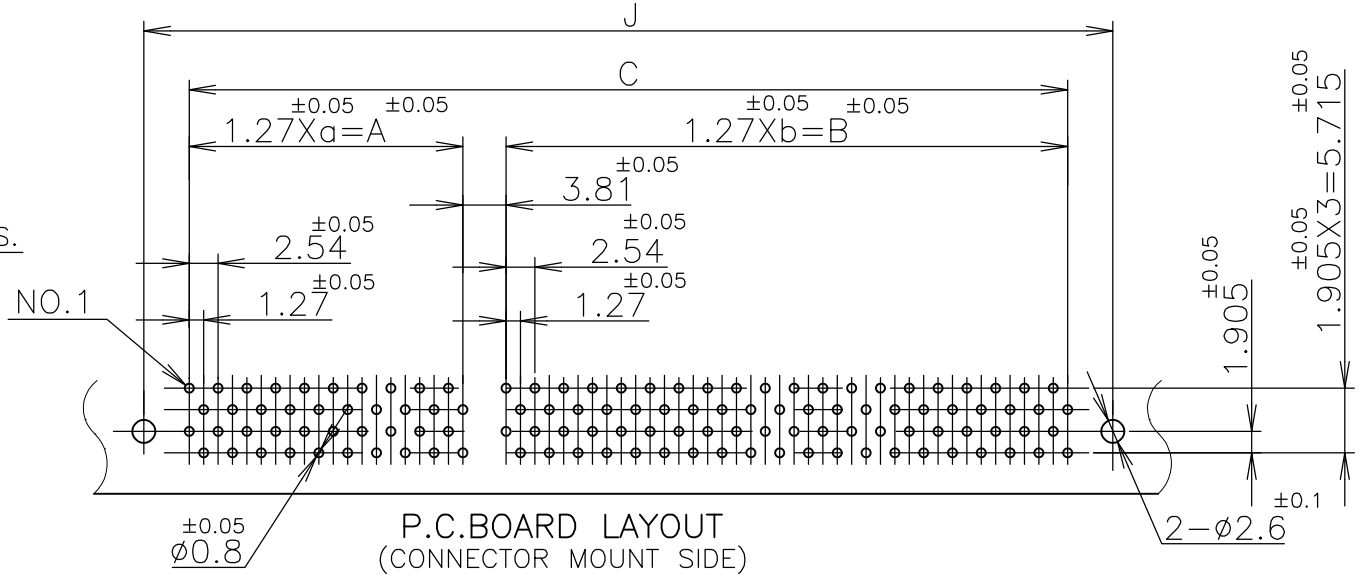
THIS DRAWING IS UNPUBLISHED. RELEASED FOR PUBLICATION AUG, 1989.  
 © COPYRIGHT 1989 By - ALL RIGHTS RESERVED.

LOC	DIST	REVISIONS					
J	/	P	LTR	DESCRIPTION	DATE	DWN	APVD
		A1		REVISED ECR-12-013273	26MAR13	K.M	E.T



① MATERIAL: HOUSING, TINE PLATE  
 THERMOPLASTIC (UL 94V-0) BLACK.  
 CONTACT: COPPER ALLOY  
 RETENTION LEG: COPPER ALLOY

② FINISH: Au AT CONTACT AREA,  
 FOR 2- -1 0.76 um MIN  
 OTHERS 0.3 um MIN  
 TIN AT TINE, OVER Ni  
 RETENTION LEG: TIN, OVER Ni



① OBSOLETE	40	/	/	/	/	19	24.13	/	/	25.93	29.37	36.75	34.1	2=5176381-1
	180	39	49.53	49	62.23	/	115.57	51.33	64.03	117.37	120.81	128.19	125.54	-8
	160	29	36.83	49	62.23	/	102.87	38.63	64.03	104.67	108.11	115.49	112.84	-7
	140	29	36.83	39	49.53	/	90.17	38.63	51.33	91.97	95.41	102.79	100.14	-6
	120	19	24.13	39	49.53	/	77.47	25.93	51.33	79.27	82.71	90.09	87.44	-5
	100	/	/	/	/	49	62.23	/	/	64.03	67.47	74.85	72.2	-4
	80	/	/	/	/	39	49.53	/	/	51.33	54.77	62.15	59.5	-3
	60	/	/	/	/	29	36.83	/	/	38.63	42.07	49.45	46.8	-2
	40	/	/	/	/	19	24.13	/	/	25.93	29.37	36.75	34.1	5176381-1
	POS	a	A	b	B	c	C	D	E	F	G	H	J	P/N

THIS DRAWING IS A CONTROLLED DOCUMENT.

DWN T.KAWAMAE 09JUN04  
 CHK I. ENOMOTO 09JUN04  
 APVD I. ENOMOTO 09JUN04

PRODUCT SPEC 108-60042  
 APPLICATION SPEC 取付適用規格

AMP FH CONNECTOR PLUG WITH RETENTION-LEG (HORIZONTAL)

SIZE A3 CAGE CODE 00779 DRAWING NO. C-5176381

SCALE 1:1 SHEET 1 OF 1 REV A1

GENERAL TOLERANCE  
 一般公差

10 ≥ : ±0.2  
 30 ≥ > 10: ±0.25  
 100 ≥ > 30: ±0.3  
 ANGLES: ±3°

DIMENSIONS:  
 単位: 耗 mm

TOLERANCES UNLESS OTHERWISE SPECIFIED:  
 一般公差

0 PLC ±  
 1 PLC ±  
 2 PLC ±  
 3 PLC ±  
 4 PLC ±  
 ANGLES ±

MATERIAL ①  
 FINISH ②