



Chipsmall Limited consists of a professional team with an average of over 10 year of expertise in the distribution of electronic components. Based in Hongkong, we have already established firm and mutual-benefit business relationships with customers from,Europe,America and south Asia,supplying obsolete and hard-to-find components to meet their specific needs.

With the principle of “Quality Parts,Customers Priority,Honest Operation,and Considerate Service”,our business mainly focus on the distribution of electronic components. Line cards we deal with include Microchip,ALPS,ROHM,Xilinx,Pulse,ON,Everlight and Freescale. Main products comprise IC,Modules,Potentiometer,IC Socket,Relay,Connector.Our parts cover such applications as commercial,industrial, and automotives areas.

We are looking forward to setting up business relationship with you and hope to provide you with the best service and solution. Let us make a better world for our industry!



Contact us

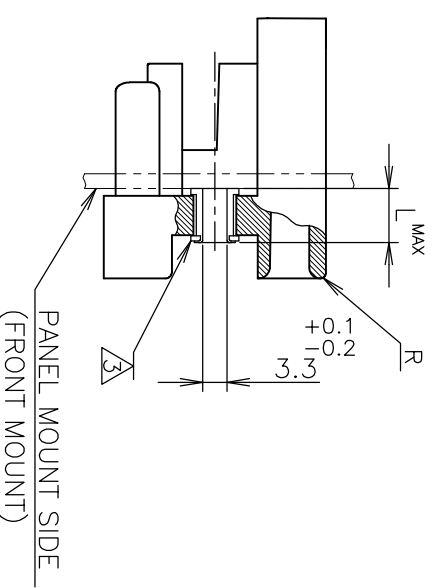
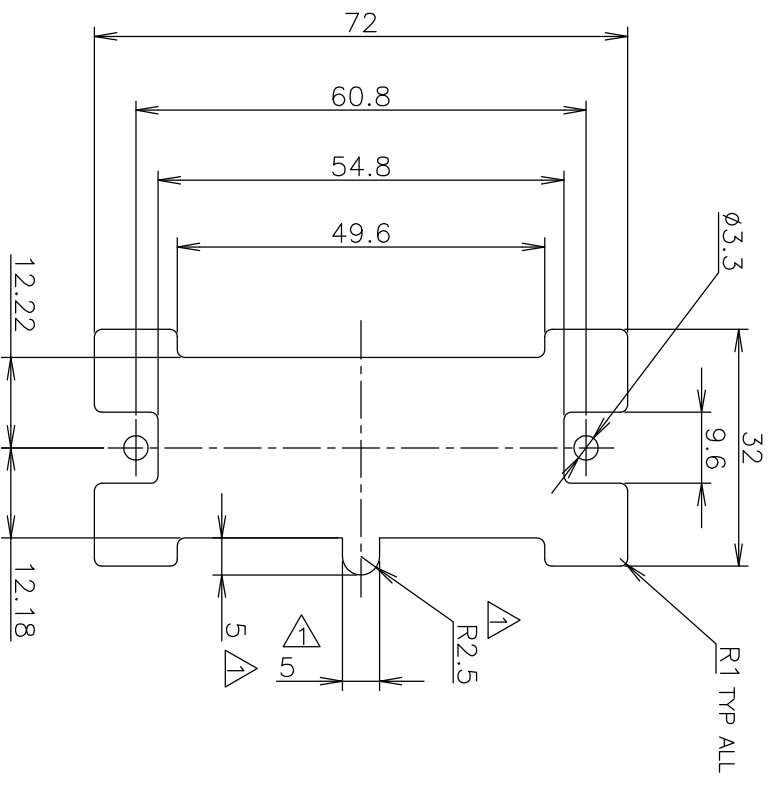
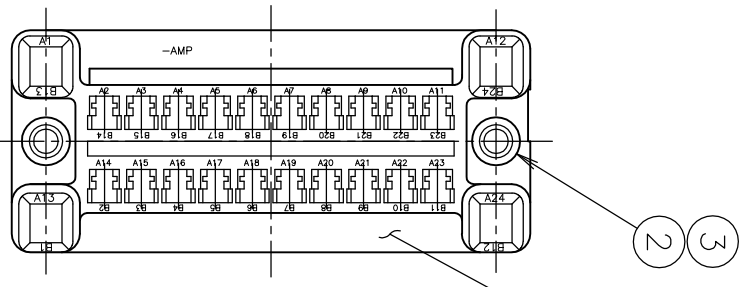
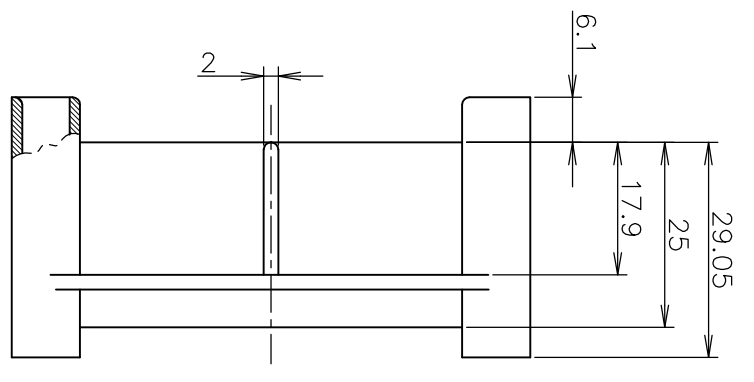
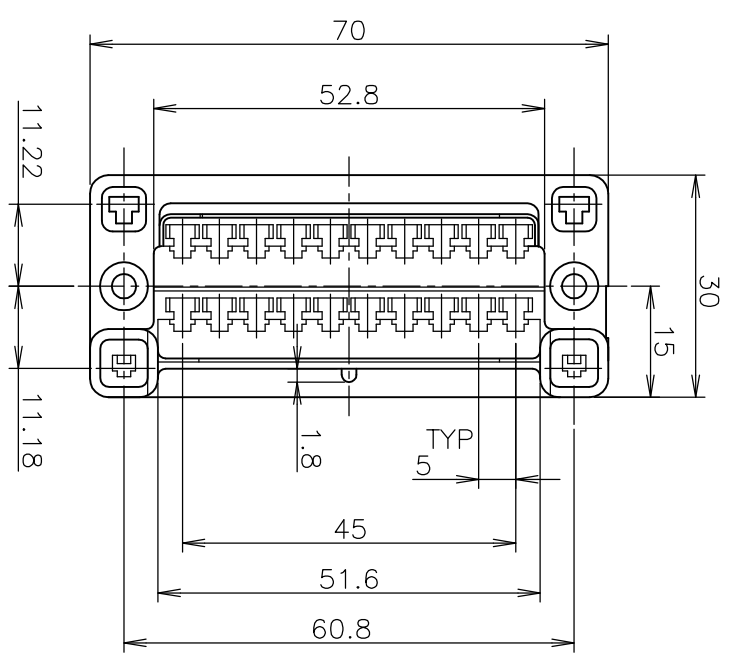
Tel: +86-755-8981 8866 Fax: +86-755-8427 6832

Email & Skype: info@chipsmall.com Web: www.chipsmall.com

Address: A1208, Overseas Decoration Building, #122 Zhenhua RD., Futian, Shenzhen, China



LOC	DIST	REVISIONS	DATE	DWN	APVD
J		DESCRIPTION			
B	LTR	REVISED	18APR06	C.Z	S.Y
		ECR-06-009116			



PANEL CUT DIMENSIONS
(FRONT MOUNT)

THIS DIMENSION USELESS IN CASE OF REAR MOUNTING.
 2 CONTACT P/N
 DRAWER CONTACT (20EA)
 AWG#24~#20 P/N: 170311-1, 170313-1
 AWG#20~#16 P/N: 170484-1, 170485-1
 MIC CONTACT (4EA)

FLOATING ALLOWANCE TO CONTACT AXIS IS LONGITUDINAL
 DIRECTION AND LATERAL DIRECTION.
 P/N: 170221-4, 170222-3 (Au Pl: 0.76u)
 P/N: 170286-4, 170289-3 (Au Pl: 0.76u)
 P/N: 170286-2, 170289-2 (Au Pl: 0.76u)

QTY	READ PER ASSY	DESCRIPTION	UNIT	MATERIAL (FINISH)	ITEM
2	-1	LONGITUDINAL LATERAL	0.3	BUSH 5.0 DIA	③
1	1	LONGITUDINAL LATERAL	0.05	BUSH 5.66 DIA	②
1	1	FLOATING ALLOWANCE	-	HSG 24P HIGH CURRENT DRAWER	①

DMN	CHK	NAME	DATE	DESCRIPTION
C.ZHU	I.WANG	07SEP05	07SEP05	07SEP05

APVD	NAME	DATE	DESCRIPTION
S.YAO	07SEP05	07SEP05	07SEP05

FINISH	FINISH	FINISH
0 PLC	1 PLC	2 PLC
3 PLC	4 PLC	ANGLES

GENERAL TOLERANCE	10 ≥ : ±0.2	30 ≥ > 10: ±0.25	100 ≥ > 30: ±0.3	ANGLES: ±3°
SEE TABLE	SEE TABLE	SEE TABLE	SEE TABLE	SEE TABLE

SIZE	CAGE CODE	DRAWING NO	RESTRICTED TO
A3	00779	5176916	