



Chipsmall Limited consists of a professional team with an average of over 10 year of expertise in the distribution of electronic components. Based in Hongkong, we have already established firm and mutual-benefit business relationships with customers from,Europe,America and south Asia,supplying obsolete and hard-to-find components to meet their specific needs.

With the principle of "Quality Parts,Customers Priority,Honest Operation,and Considerate Service",our business mainly focus on the distribution of electronic components. Line cards we deal with include Microchip,ALPS,ROHM,Xilinx,Pulse,ON,Everlight and Freescale. Main products comprise IC,Modules,Potentiometer,IC Socket,Relay,Connector.Our parts cover such applications as commercial,industrial, and automotives areas.

We are looking forward to setting up business relationship with you and hope to provide you with the best service and solution. Let us make a better world for our industry!



Contact us

Tel: +86-755-8981 8866 Fax: +86-755-8427 6832

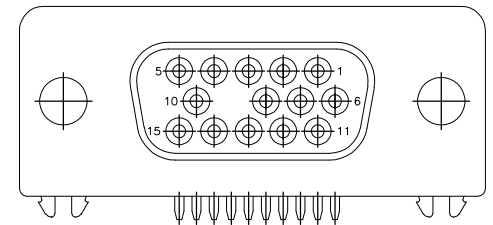
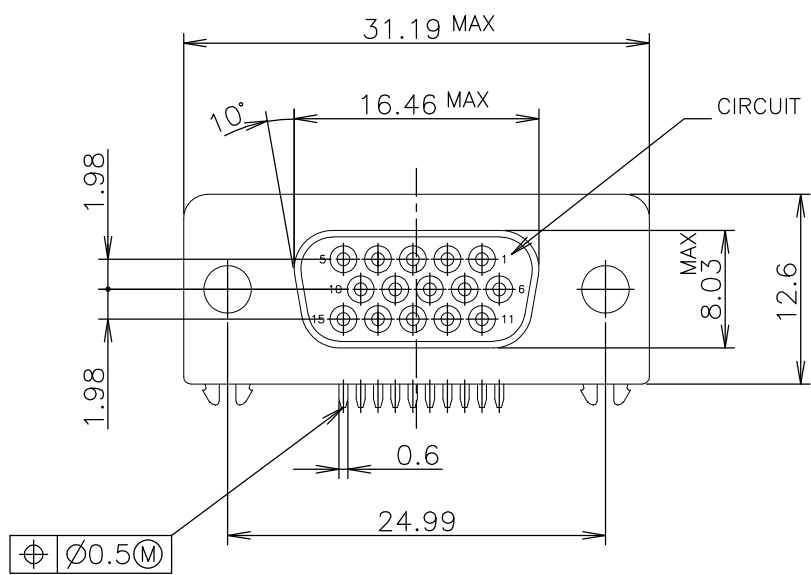
Email & Skype: info@chipsmall.com Web: www.chipsmall.com

Address: A1208, Overseas Decoration Building, #122 Zhenhua RD., Futian, Shenzhen, China

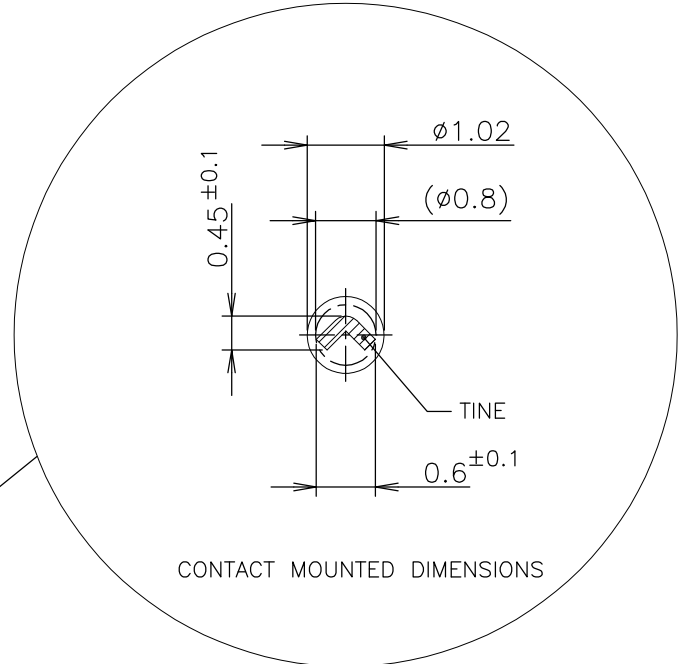
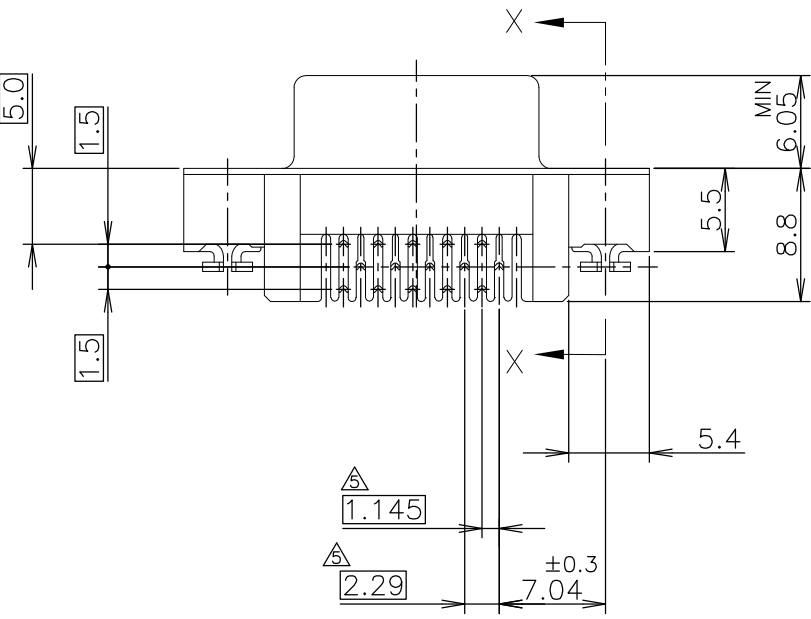


THIS DRAWING IS UNPUBLISHED. RELEASED FOR PUBLICATION MAR, 1993.
 © COPYRIGHT 1993 BY TYCO ELECTRONICS CORPORATION. ALL RIGHTS RESERVED.

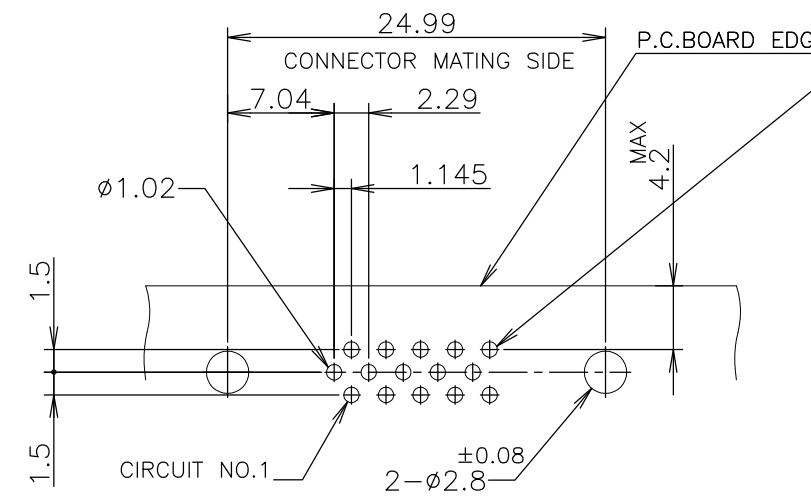
LOC	DIST	REVISIONS					
		P	LTR	DESCRIPTION	DATE	DWN	APVD
J		01		REVISED PER ECO-10-000444	19JAN10	KK	HMR



(3-5177802-3 ONLY)

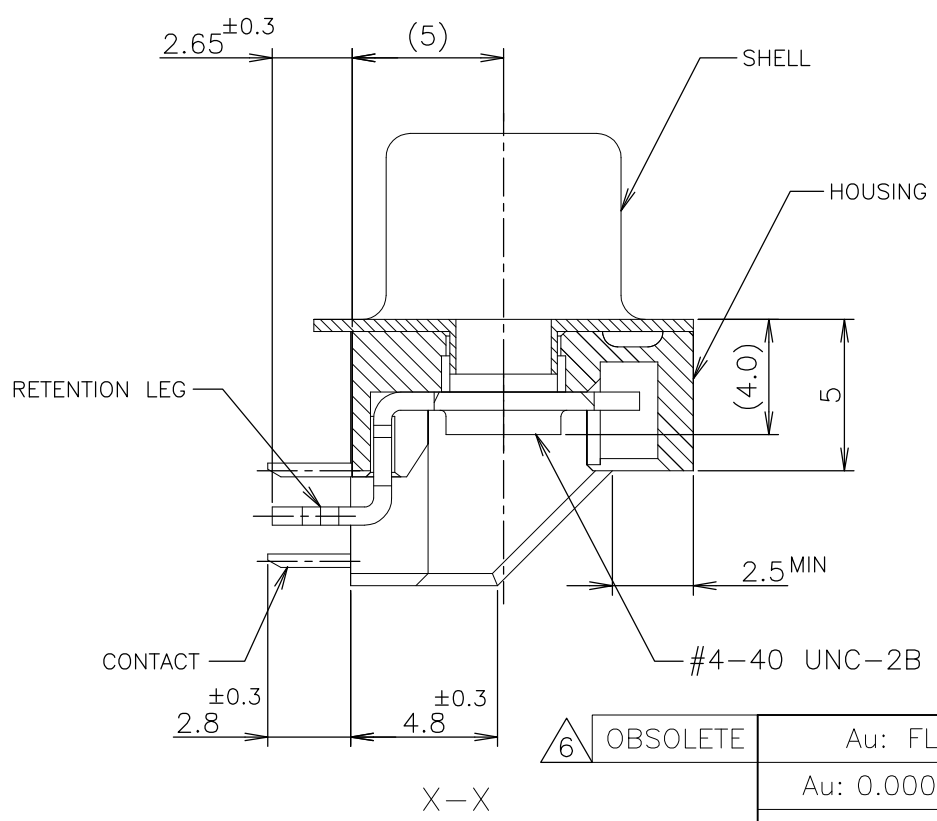


CONTACT MOUNTED DIMENSIONS



P. C. BOARD MOUNTING DIMENSIONS (±0.1)
THK=0.8~1.6

- 1 THESE PRODUCTS CONFORM AMP SPEC 108-5401.
- △ MATERIAL
HOUSING: THERMOPLASTEC
SHELL: CARBON STEEL
CONTACT: COPPER ALLOY
RETENTION LEG: COPPER ALLOY
- △ FINISH
CONTACT: GOLD PL.
SHELL: TIN PL.
RETENTION LEG: TIN PL.
- 4 SCREWLOCK OR SCREW MUST BE ASSEMBLED BEFORE PLUG CONNECTOR MATING.
(SCREW ON TORQUE: 5kg-cmMAX)
- △ P. C. BOARD MOUNTING DIMENSION CONFORM MIL SPEC. (MS-18273)
- △ OBSOLETE PARTS: OBSOLETE CIS STREAMLINING PER D.RENAUD/D.SINISI



△ OBSOLETE	Au: FLASH	3	-3
	Au: 0.00076 MIN.		-9
	Au: FLASH	5177802-3	
	FINISH	P/N	

THIS DRAWING IS A CONTROLLED DOCUMENT.		DWN LEO ZHOU 5APR05	Tyco Electronics AMP K.K. Kawasaki, Japan	
DIMENSIONS: mm		CHK STEVEN YAO 5APR05		
TOLERANCES UNLESS OTHERWISE SPECIFIED:		APVD I.ENOMOTO 5APR05	NAME	
0 PLC ± 1 PLC ± 2 PLC ± 3 PLC ± 4 PLC ± ANGLES ±		PRODUCT SPEC	RECEPTACLE ASSY RIGHT ANGLE SIZE 1, 15P LOW PROFILE STD-D P.C.B t=0.8~1.6 DIP AMPLIMITE III-J ULTRA SLIM HD-22	
GENERAL TOLERANCE		APPLICATION SPEC	SIZE	CAGE CODE
10 ≥ : ±0.2 30 ≥ > 10: ±0.25 100 ≥ > 30: ±0.3 ANGLES : ±3°		WEIGHT	A3	00779
MATERIAL SEE NOTE 2		FINISH SEE NOTE 3	DRAWING NO C-5177802	
		CUSTOMER DRAWING	RESTRICTED TO	
		SCALE NTS	SHEET 1 OF 1	REV 01