



Chipsmall Limited consists of a professional team with an average of over 10 year of expertise in the distribution of electronic components. Based in Hongkong, we have already established firm and mutual-benefit business relationships with customers from,Europe,America and south Asia,supplying obsolete and hard-to-find components to meet their specific needs.

With the principle of “Quality Parts,Customers Priority,Honest Operation,and Considerate Service”,our business mainly focus on the distribution of electronic components. Line cards we deal with include Microchip,ALPS,ROHM,Xilinx,Pulse,ON,Everlight and Freescale. Main products comprise IC,Modules,Potentiometer,IC Socket,Relay,Connector.Our parts cover such applications as commercial,industrial, and automotives areas.

We are looking forward to setting up business relationship with you and hope to provide you with the best service and solution. Let us make a better world for our industry!



Contact us

Tel: +86-755-8981 8866 Fax: +86-755-8427 6832

Email & Skype: info@chipsmall.com Web: www.chipsmall.com

Address: A1208, Overseas Decoration Building, #122 Zhenhua RD., Futian, Shenzhen, China

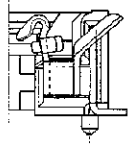
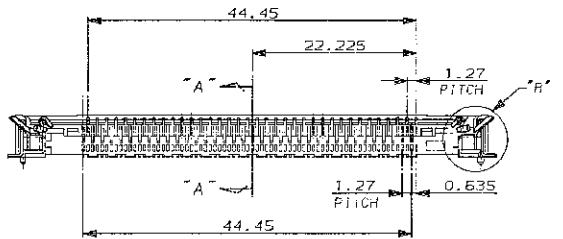
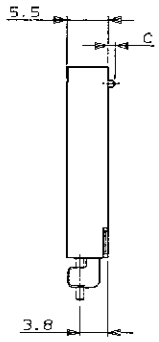
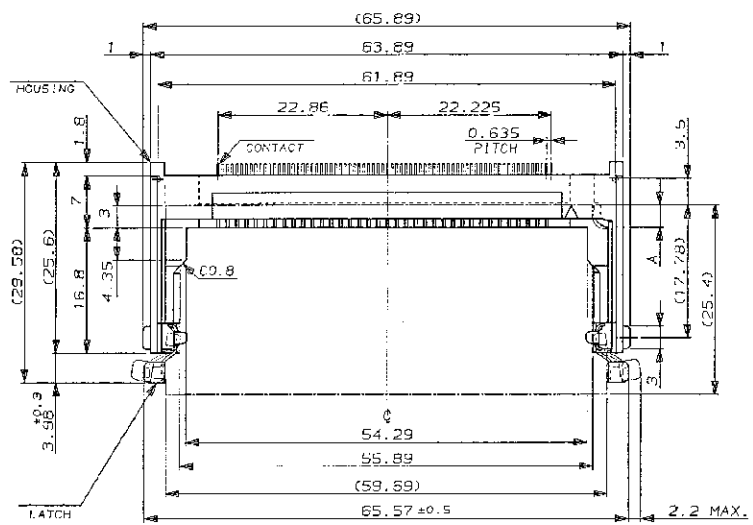


METRIC

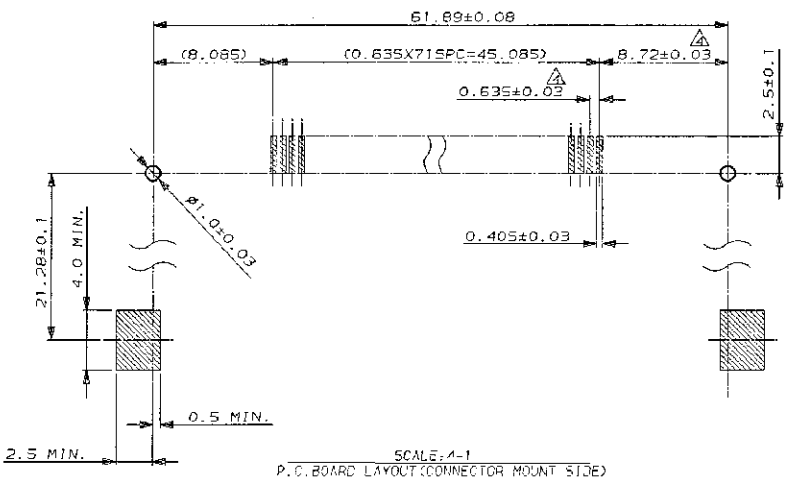
ALL DIMENSIONS IN MM, DO NOT SCALE PRINT

PAINTE DUST

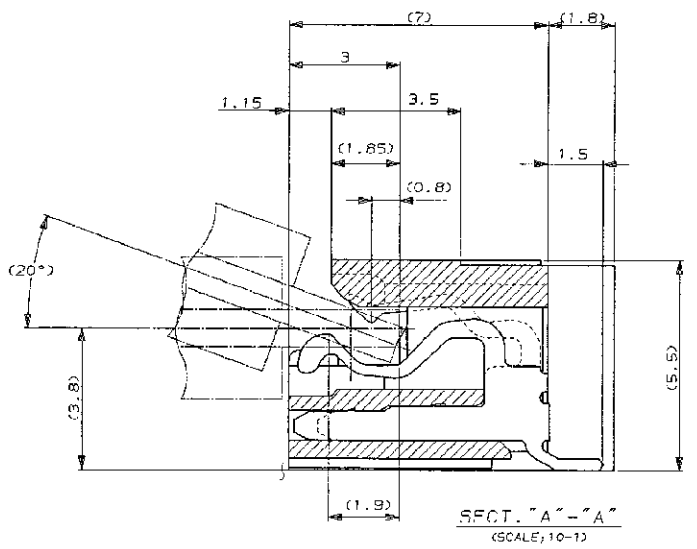
NUMBER
C-ST77827



DETAIL "B"
(SCALE: 5-1)



SCALE: 1-1
P.C. BOARD LAYOUT (CONNECTOR MOUNT SIDE)



SECT. "A"- "A"
(SCALE: 10-1)

NOTES

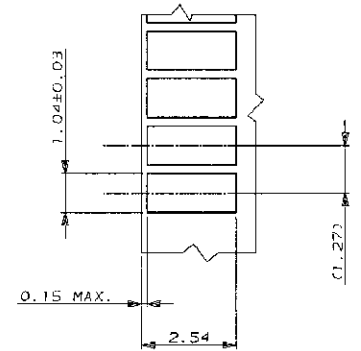
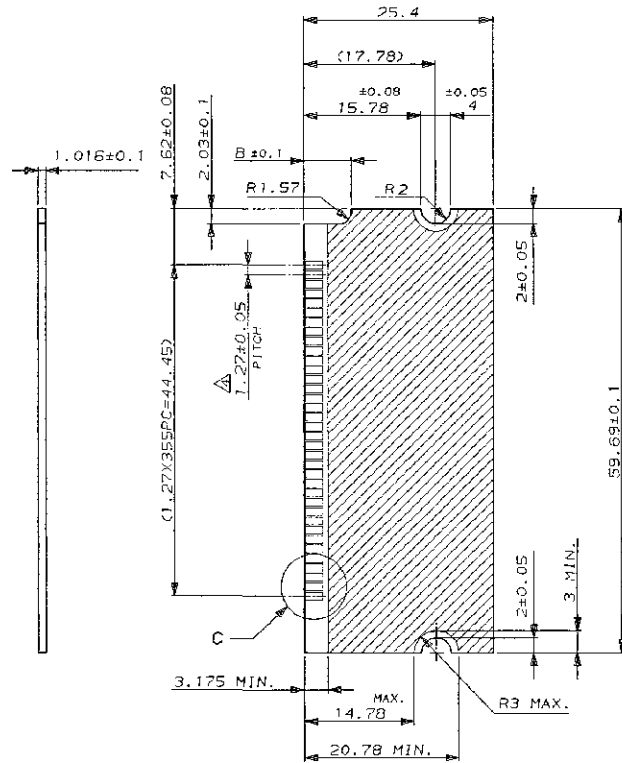
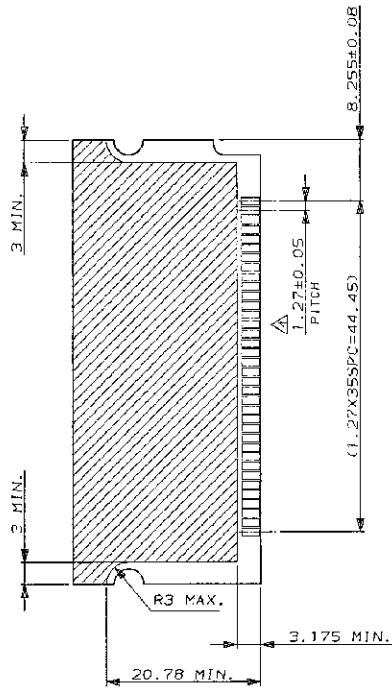
- MATERIAL & FINISH
 HOUSING : GLASS FILLED LCP
 CONTACT : COPPER ALLOY
 FINISH---SEE NOTES
 LATCH : COPPER ALLOY, TIN PL.
 CONTACT PLATING (AU PL. TYPE)
 Au(0.3µm)PL. AT CONTACT, TIN PL. AT
 TINE OVER NI PL.
 CONTACT PLATING (TIN PL. TYPE)
 TIN PL. (2µm) OVER NI PL.
 TOLERANCE : NON CUMULATIVE.
 CONTACT PLATING (AU PL. TYPE)
 Au(1.27µm)PL. AT CONTACT, TIN PL. AT
 TINE OVER NI PL.

6 OBSOLETE PARTS: OBSOLETE CIS STREAMLINING PER
D.RENAUD/D.SINISI

6 OBSOLETE	NATURAL	2.95	1.27µm Au	5177827-4
	BLACK	6.15	0.3µm Au	5177827-3
6 OBSOLETE	NATURAL	1.0	0.3µm Au	5177827-2
	NATURAL	2.98	0.3µm Au	5177827-1
HOUSING COLOR	C	A	PLATING (CONTACT POINT)	PART No.

WIRE GAUGES		INSULATION GAUGES		NAME:	
MIL (AWG -)		MIL (AWG -)		M III SOCKET	
MATERIAL		FINISH		SEE NOTES	
SEE NOTES		SEE NOTES		GENERAL TOLERANCES	
DR. LEO ZHOU 15SEP05		CHK. T.KAWAMAE 15SEP05		APP. STEVEN YACOBSEPO	
REV. 1		REV. 1		REV. 1	
SCALE: 2-1		SCALE: 2-1		SCALE: 2-1	
C		J		C-5177827	
P		P		P	

P	ECO-11-005033	RK	HMR	APR 11
LIK	(REVISION REQUIRED)	DR	CHK	DATE



DETAIL C (SCALE: 10-1)

 COMPONENT AREA

(SMALL OUTLINE SIMM)
RECOMMENDED DIMENSIONS OF "SMALL OUTLINE SIMM" P.C. BOARD

6.35	5.0V
3.175	3.3V
B	CIRCUIT VOLTAGE

<p>SEE SHEET D</p>		<p>WIRE GAUGE (MATERIAL)</p>		<p>(INSULATION DIA.)</p>		<p>(NAME)</p>	
		<p>SEE NOTES</p>		<p>SEE NOTES</p>		<p>M III SOCKET</p>	
LTR	(REVISION RECORD)	DR	CHK	DATE	CHK	APP.	<p>REV. P</p> <p>SHEET 2 OF 2</p>