



Chipsmall Limited consists of a professional team with an average of over 10 year of expertise in the distribution of electronic components. Based in Hongkong, we have already established firm and mutual-benefit business relationships with customers from,Europe,America and south Asia,supplying obsolete and hard-to-find components to meet their specific needs.

With the principle of “Quality Parts,Customers Priority,Honest Operation,and Considerate Service”,our business mainly focus on the distribution of electronic components. Line cards we deal with include Microchip,ALPS,ROHM,Xilinx,Pulse,ON,Everlight and Freescale. Main products comprise IC,Modules,Potentiometer,IC Socket,Relay,Connector.Our parts cover such applications as commercial,industrial, and automotives areas.

We are looking forward to setting up business relationship with you and hope to provide you with the best service and solution. Let us make a better world for our industry!



Contact us

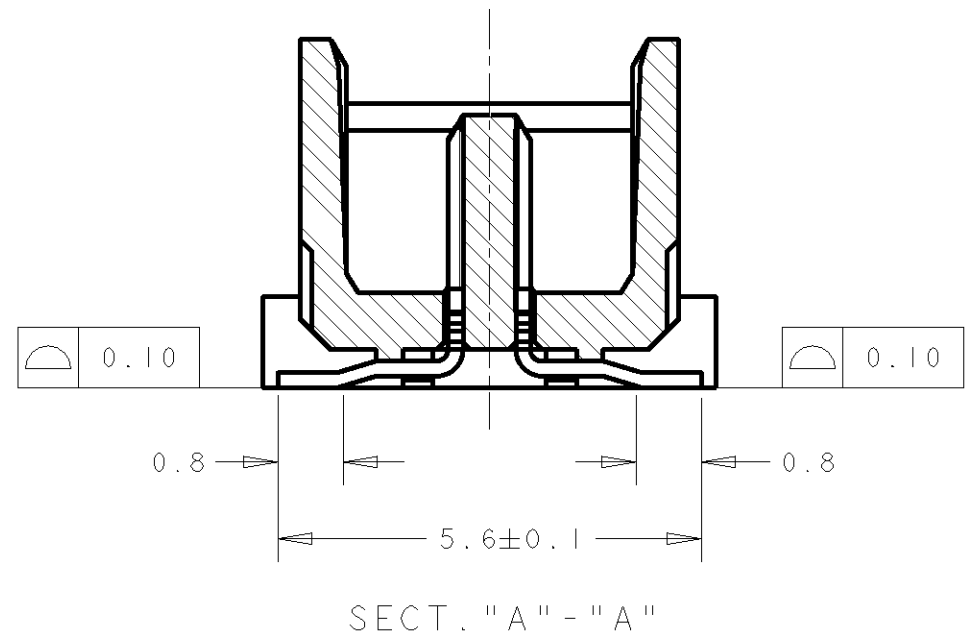
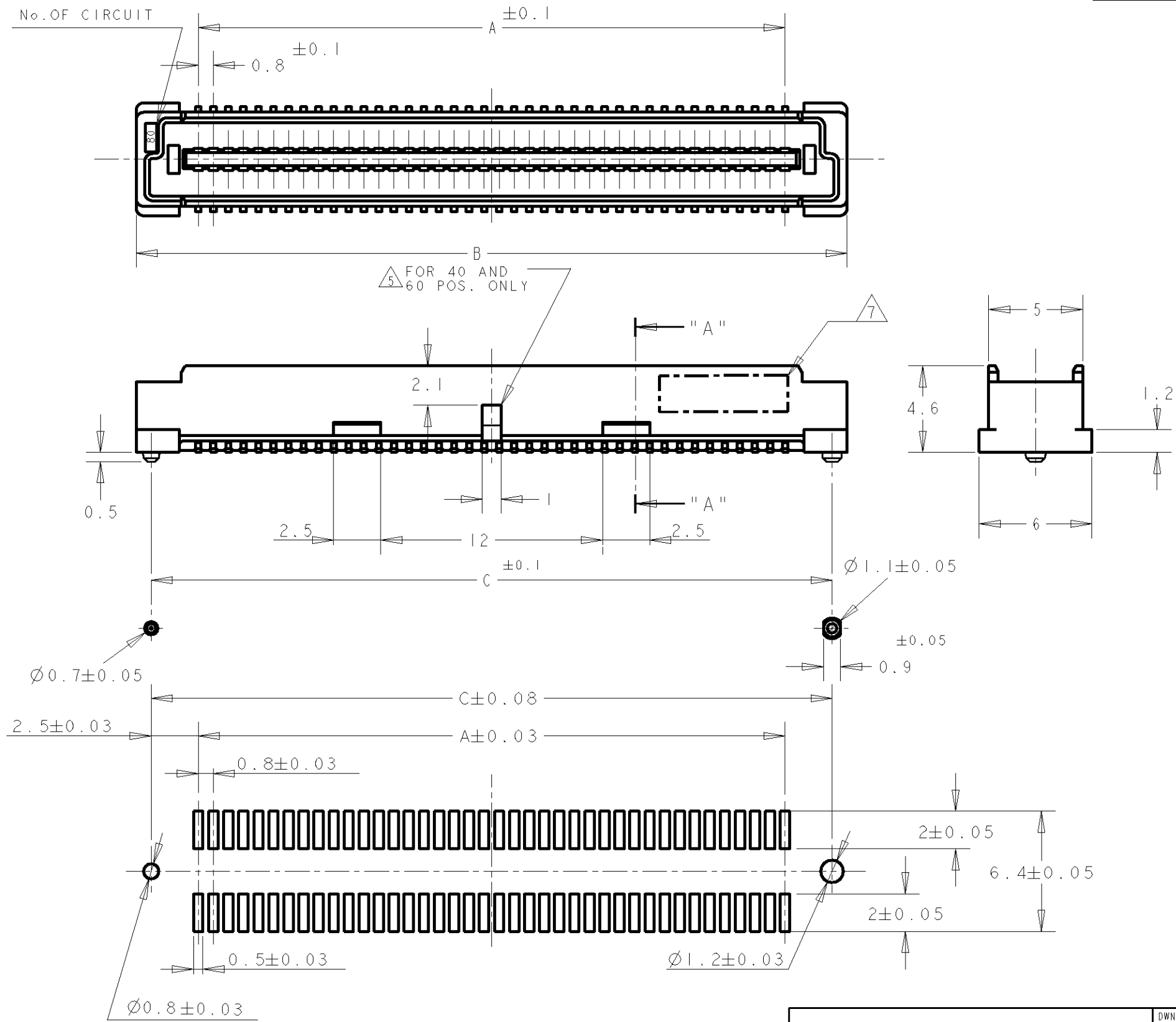
Tel: +86-755-8981 8866 Fax: +86-755-8427 6832

Email & Skype: info@chipsmall.com Web: www.chipsmall.com

Address: A1208, Overseas Decoration Building, #122 Zhenhua RD., Futian, Shenzhen, China



LOC	DIST	REVISIONS			
P	LTR	DESCRIPTION	DATE	DWN	APVD
DY	-	A2 REVISED PER ECO-11-005139	19MAR11	RK	HMR



- NOTES:
- 1 MATERIAL: HOUSING: L.C.P. (HIGH TEMP THERMO PLASTIC)
UL 94V-0, NATURAL.
CONTACT: BRASS.
 - 2 FINISH: UNDERPLATE: 0.0013 MIN NICKEL ALL OVER.
ENGAGEMENT AREA: 0.0002 MIN GOLD.
SOLDERING AREA: 0.002 MIN MATTE-TIN.
 - 3. POSITION SERIES: SEE TABLE.
 - 4. CONN STACK HEIGHT COMBINE OF PLUG "Y" H VS REC "X" H.
STACK HEIGHT = Y + X - 5
 - 5 CUTOUT FEATURE AVAILABLE ONLY ON P/N -1 (40P)
AND -2 (60P).
 - 6 FINISH: UNDERPLATE: 0.0013 MIN NICKEL ALL OVER.
ENGAGEMENT AREA: 0.00038 MIN GOLD.
SOLDERING AREA: 0.002 MIN MATTE-TIN.
 - 7 DATECODE MARKING.

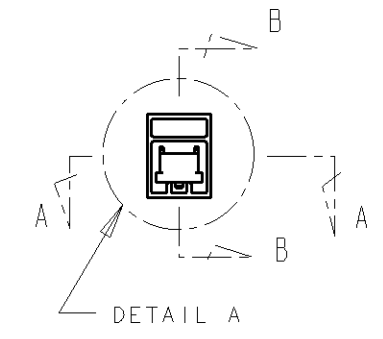
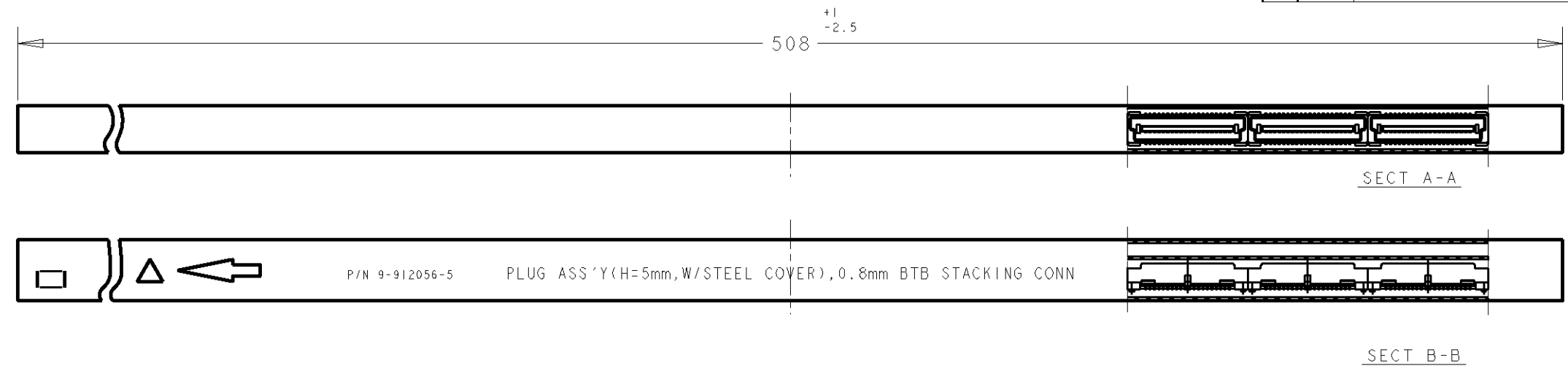
P/N SEE SHEET 2 OF 2.

RECOMMENDED P.C. BOARD LAYOUT

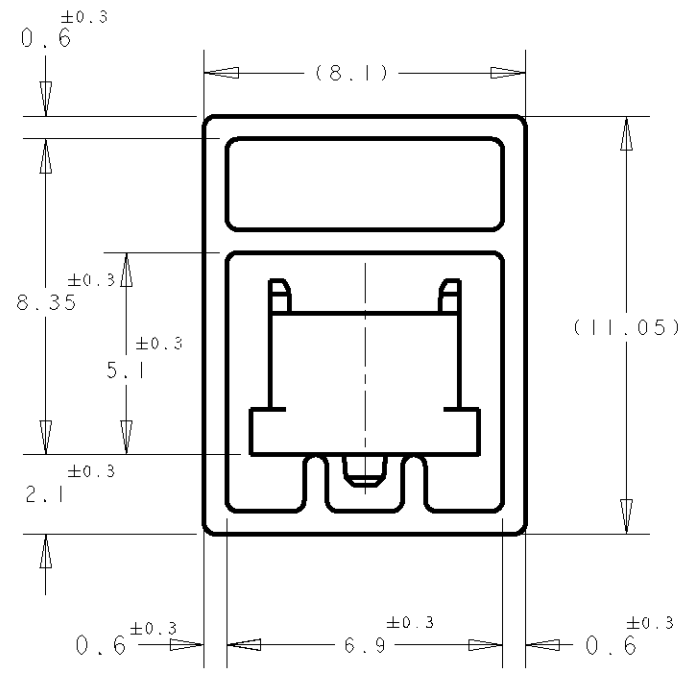
DWN 30AUG04 FLORENCE TAN		TE Connectivity	
CHK ERIC TNG			
APVD SF FONG		NAME	
PRODUCT SPEC		PLUG ASSEMBLY 5H TYPE (0.5 BOSS LENGTH) FOR FH 0.8mm PITCH B-T-B CONNECTOR	
APPLICATION SPEC		SIZE	CAGE CODE
114-5254		A3	00779
WEIGHT		DRAWING NO	
-		C-5177984	
MATERIAL		SCALE	SHEET
SEE TABLE P/N		4:1	1 OF 2
FINISH		REV	
-		A2	

THIS DRAWING IS UNPUBLISHED. RELEASED FOR PUBLICATION .19 .
 © COPYRIGHT - BY - ALL RIGHTS RESERVED.

LOC	DIST	REVISIONS			
P	LTR	DESCRIPTION	DATE	DWN	APVD
DY	-	- SEE SHEET 1 OF 2	-	-	-



REFERENCE PICTURE OF TUBE PACK



DETAIL A

FINISH	QTY/TUBE	C	B	A	POS.	CONN P/N
15Au-Sn 6	5	84.2	85.8	79.2	200	3- -0
	6	76.2	77.8	71.2	180	2- -9
	6	68.2	69.8	63.2	160	2- -8
	7	60.2	61.8	55.2	140	2- -6
	9	52.2	53.8	47.2	120	2- -5
	10	44.2	45.8	39.2	100	2- -4
	12	36.2	37.8	31.2	80	2- -3
	16	28.2	29.8	23.2	60	2- -2
	22	20.2	21.8	15.2	40	2- -1
	08Au-Sn 2	5	84.2	85.8	79.2	200
6		76.2	77.8	71.2	180	- -9
6		68.2	69.8	63.2	160	- -8
7		60.2	61.8	55.2	140	- -6
9		52.2	53.8	47.2	120	- -5
10		44.2	45.8	39.2	100	- -4
12		36.2	37.8	31.2	80	- -3
16		28.2	29.8	23.2	60	- -2
22		20.2	21.8	15.2	40	5177984-1

DIMENSIONS: mm		TOLERANCES UNLESS OTHERWISE SPECIFIED: 0 PLC ±- 1 PLC ±0.30 2 PLC ±0.25 3 PLC ±0.20 4 PLC ±- ANGLES ±3°		DWN 30AUG04 FLORENCE TAN CHK ERIC TNG APVD SF JFONG PRODUCT SPEC 108-5390 APPLICATION SPEC 114-5254 WEIGHT -		TE Connectivity NAME PLUG ASSEMBLY 5H TYPE (0.5 BOSS LENGTH) FOR FH 0.8mm PITCH B-T-B CONNECTOR	
MATERIAL	FINISH SEE TABLE P/N	CUSTOMER DRAWING		SIZE A3	CAGE CODE 00779	DRAWING NO 5177984	SCALE - SHEET 2 OF 2 REV A2

PROJ NO. 593-312