



Chipsmall Limited consists of a professional team with an average of over 10 year of expertise in the distribution of electronic components. Based in Hongkong, we have already established firm and mutual-benefit business relationships with customers from,Europe,America and south Asia,supplying obsolete and hard-to-find components to meet their specific needs.

With the principle of “Quality Parts,Customers Priority,Honest Operation,and Considerate Service”,our business mainly focus on the distribution of electronic components. Line cards we deal with include Microchip,ALPS,ROHM,Xilinx,Pulse,ON,Everlight and Freescale. Main products comprise IC,Modules,Potentiometer,IC Socket,Relay,Connector.Our parts cover such applications as commercial,industrial, and automotives areas.

We are looking forward to setting up business relationship with you and hope to provide you with the best service and solution. Let us make a better world for our industry!



## Contact us

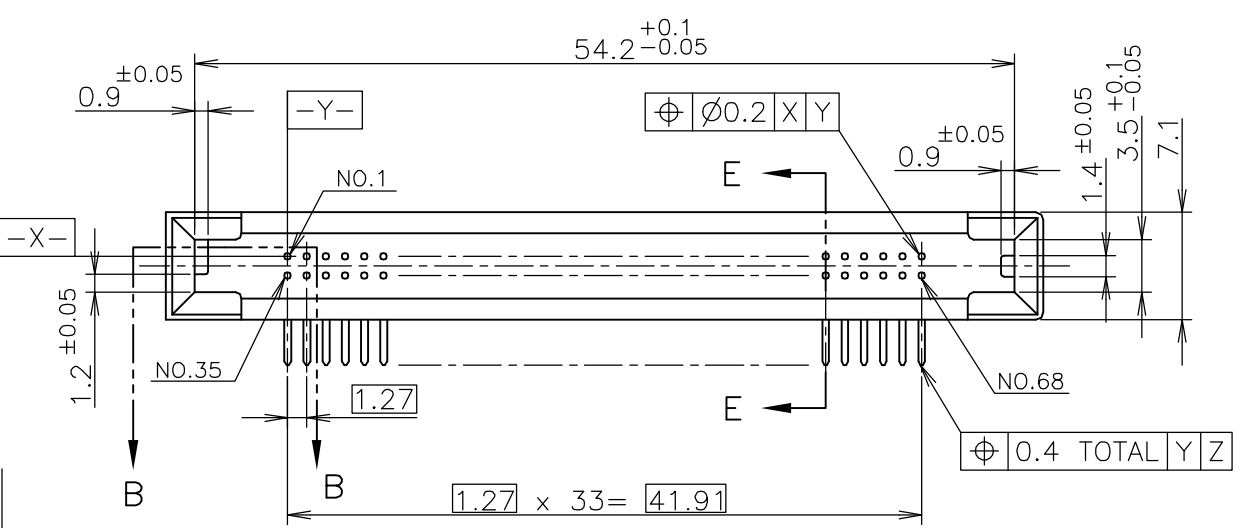
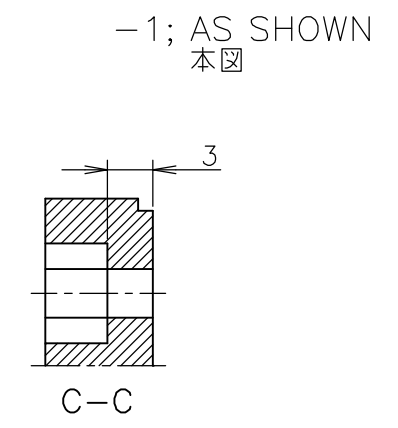
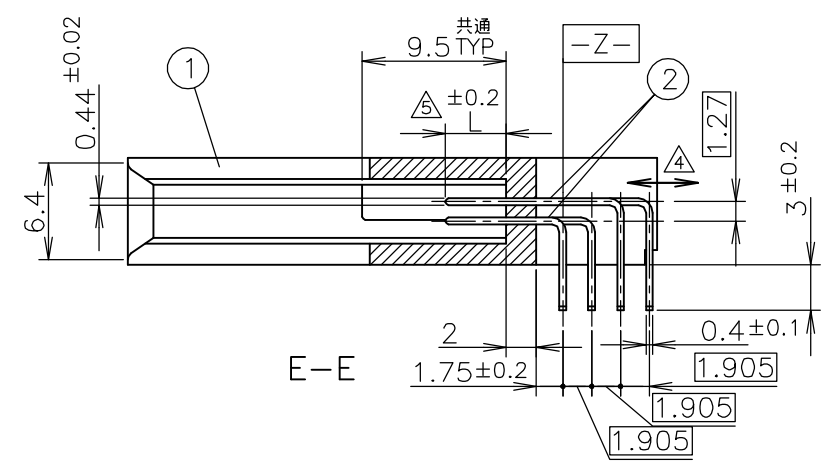
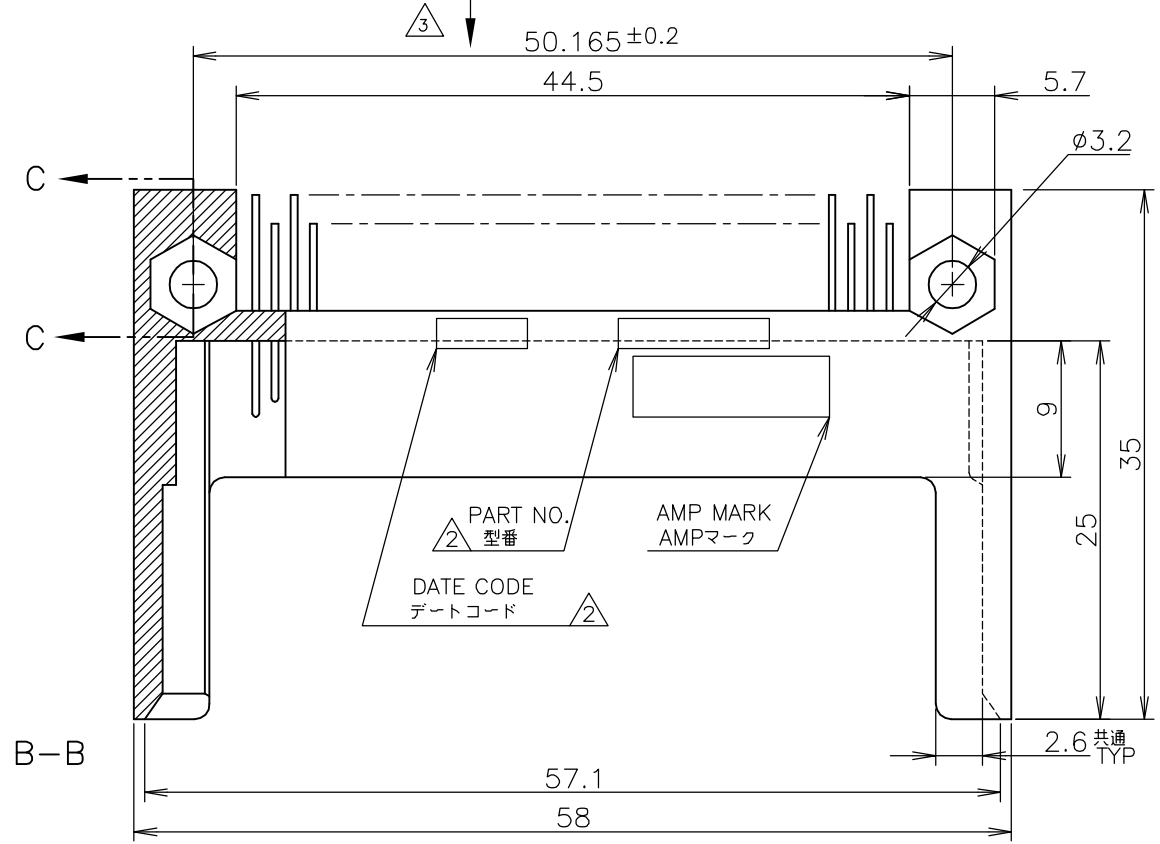
Tel: +86-755-8981 8866 Fax: +86-755-8427 6832

Email & Skype: info@chipsmall.com Web: www.chipsmall.com

Address: A1208, Overseas Decoration Building, #122 Zhenhua RD., Futian, Shenzhen, China



LOC	DIST	REVISIONS					
J	/	P	LTR	DESCRIPTION	DATE	DWN	APVD
		A	RELEASED		31JAN06	T.T	T.F



- 1 GENERAL TOLERANCE; ±0.3, ±3'
- △ HOT MARKING
- ③ MARKING LETTERS CAN BE READ BY ARROW SIDE.
- ④ PULL-OFF FORCE OF POST; 7.84N (0.8Kgf) MIN.
- ⑤ L DIMENSION AS BELOW.

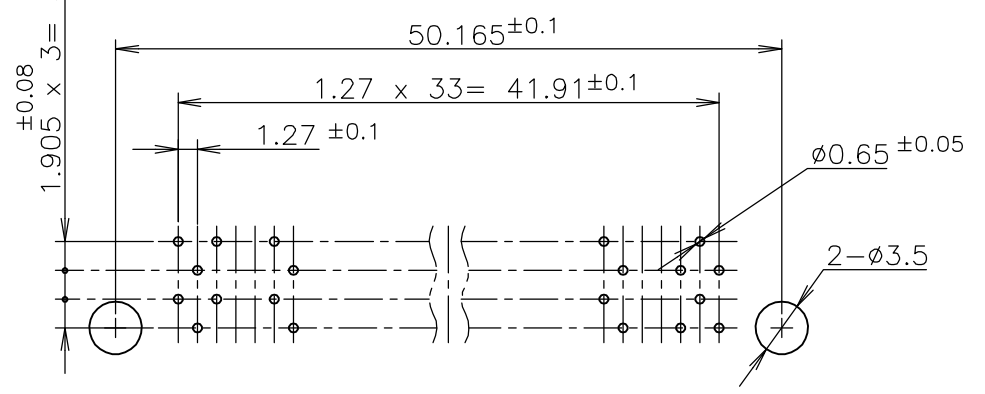
L	5	3.5	4.25
NO	1, 17, 34, 35, 51, 68	36, 67	REMAINS

- 1 一般公差; ±0.3, ±3'
- △ ホットマーキングを施す。
- ③ マーキングは矢視方向から読むこと。
- ④ この方向のポスト保持力は 7.84N (0.8Kgf)以上
- ⑤ ポスト長 L は下表の通り

L	5	3.5	4.25
回路番号	1, 17, 34, 35, 51, 68	36, 67	その他

6 MATE WITH 5175651-2

6 かん合相手型番 5175651-2



REFERENCE BOARD LAYOUT THK.  
参考取付基板穴寸法 (基板厚; 1.6±0.15)  
(コネクタ実装面側)  
CONNECTOR MOUNTING SIDE

CONT. CONTACT	BRASS 黄銅	Ni PL. Au PL. 全面ニッケル下地、金めっき (0.3μm MIN) TIN PL. すずめっき (1μm MIN)	②
HSG HOUSING	G.F. ガラス入 PBT (94V-0)	COLOR: BLACK 色: 黒	①
名称 NAME	材料 MATERIAL	仕上 FINISH	ITEM

THIS DRAWING IS A CONTROLLED DOCUMENT.		DWN T.TSUZAKI 31JAN06	Tyco Electronics AMP K.K. Kawasaki, Japan	
DIMENSIONS: 単位: 耗 mm		CHK K.YAMAGUCHI 31JAN06		
TOLERANCES UNLESS OTHERWISE SPECIFIED: 一般公差		APVD T.FUTATSUGI 31JAN06	NAME 名称 POST HDR AMP MEMORY CARD CONN 1.27 PITCH 68 POS	
0 PLC ±		PRODUCT SPEC 製品規格	SIZE CAGE CODE DRAWING NO RESTRICTED TO	
1 PLC ±		APPLICATION SPEC 取付適用規格	A3 00779 C-5178431	
2 PLC ±		WEIGHT	SCALE 尺度 2:1 SHEET 1 OF 1 REV A	
3 PLC ±		CUSTOMER DRAWING		
4 PLC ±				
ANGLES ±				
FINISH 仕上				
MATERIAL 材料 SEE TABLE				