



Chipsmall Limited consists of a professional team with an average of over 10 year of expertise in the distribution of electronic components. Based in Hongkong, we have already established firm and mutual-benefit business relationships with customers from,Europe,America and south Asia,supplying obsolete and hard-to-find components to meet their specific needs.

With the principle of “Quality Parts,Customers Priority,Honest Operation,and Considerate Service”,our business mainly focus on the distribution of electronic components. Line cards we deal with include Microchip,ALPS,ROHM,Xilinx,Pulse,ON,Everlight and Freescale. Main products comprise IC,Modules,Potentiometer,IC Socket,Relay,Connector.Our parts cover such applications as commercial,industrial, and automotives areas.

We are looking forward to setting up business relationship with you and hope to provide you with the best service and solution. Let us make a better world for our industry!



Contact us

Tel: +86-755-8981 8866 Fax: +86-755-8427 6832

Email & Skype: info@chipsmall.com Web: www.chipsmall.com

Address: A1208, Overseas Decoration Building, #122 Zhenhua RD., Futian, Shenzhen, China



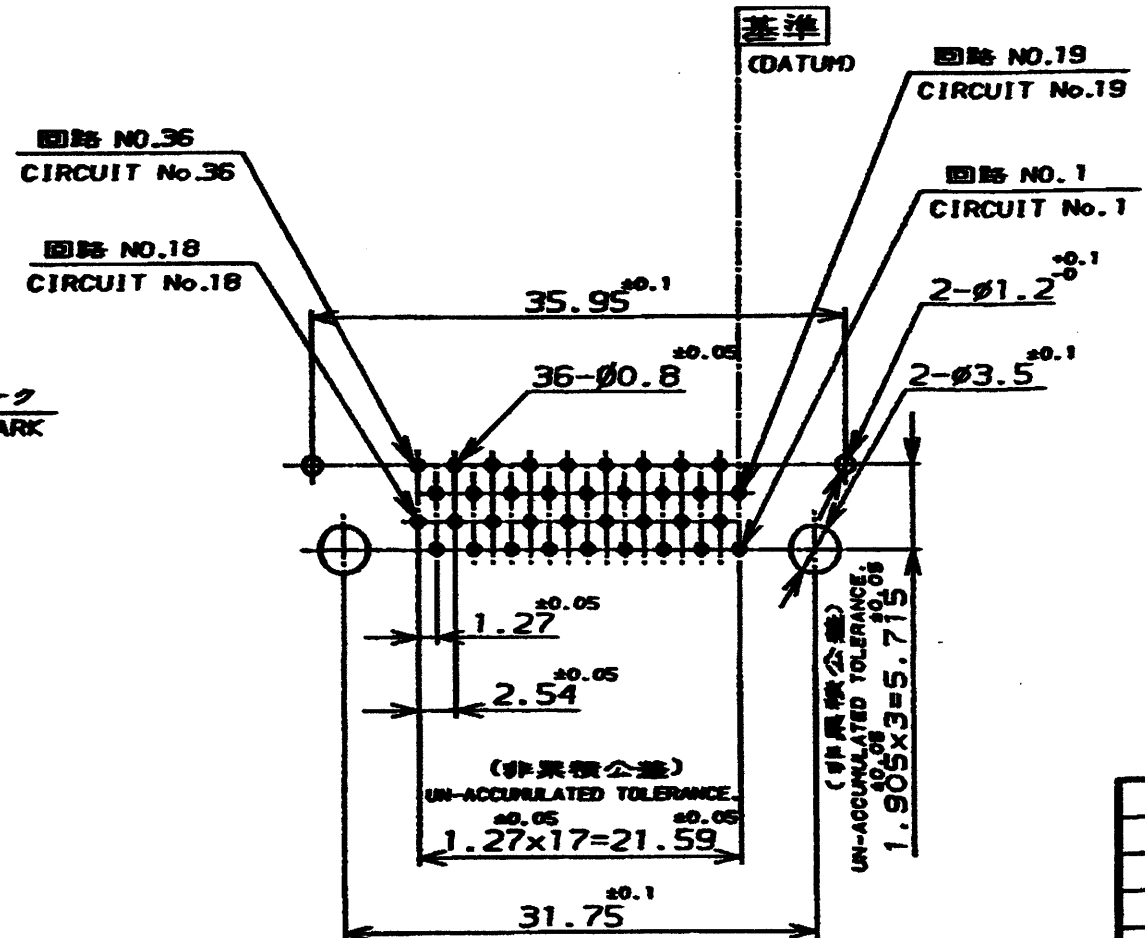
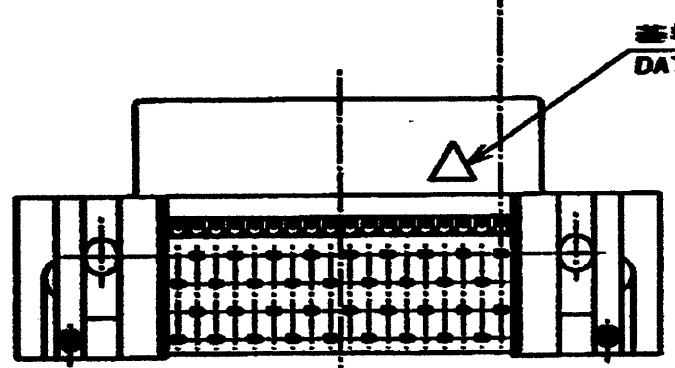
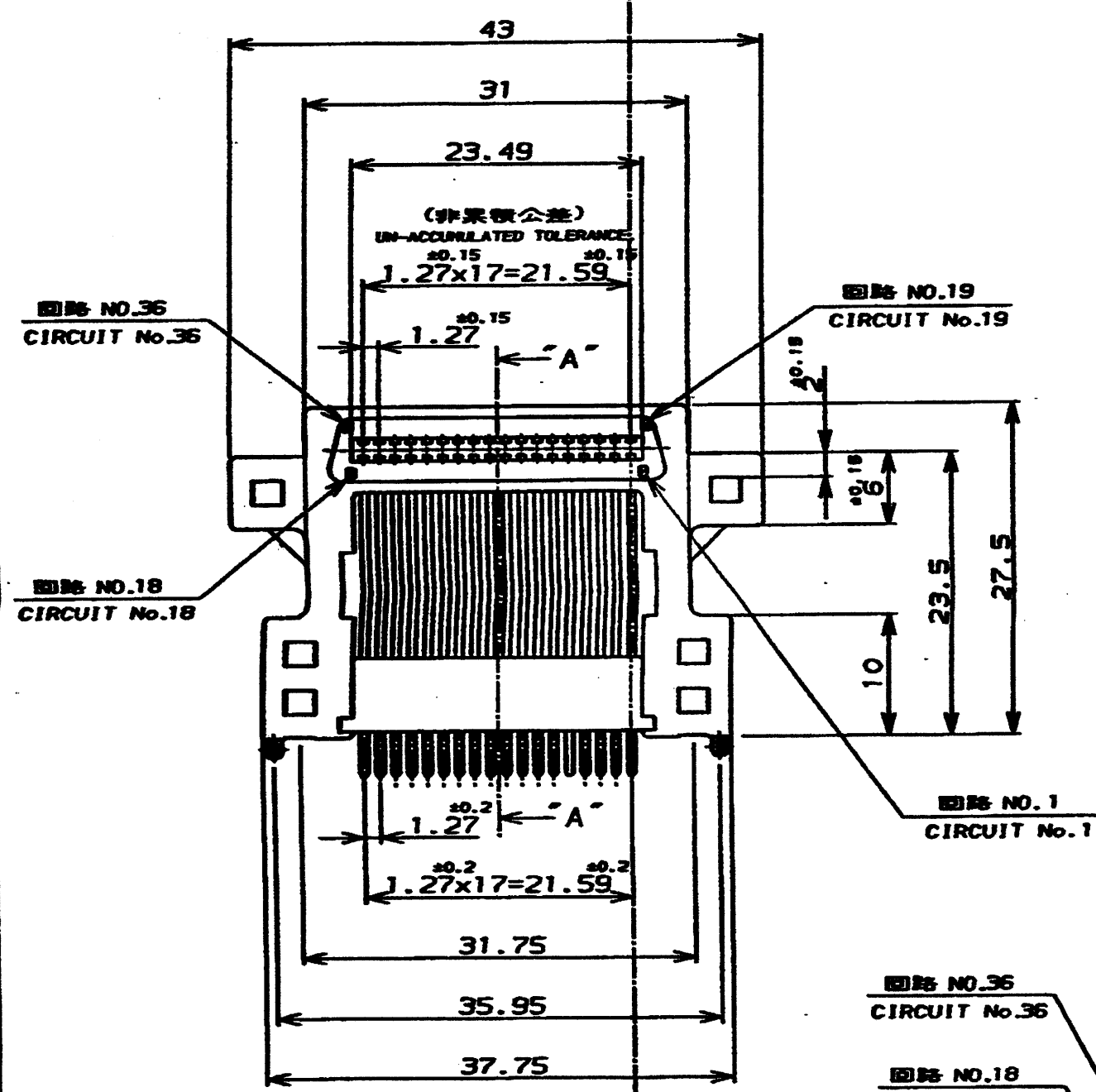
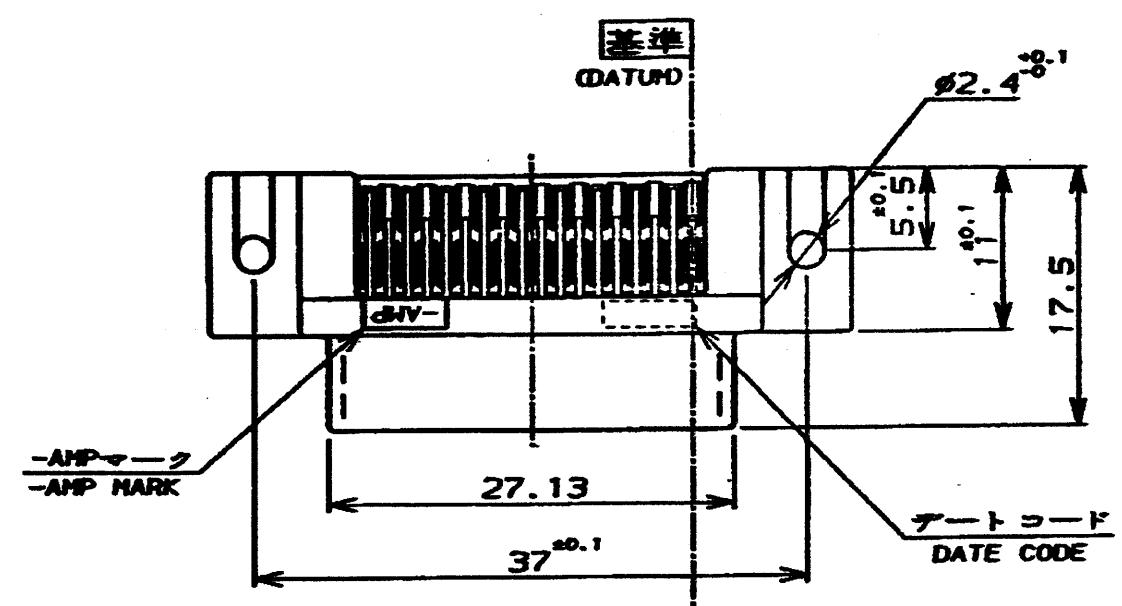
NUMBER C-5178647



METRIC

DIMENSIONS IN MILLIMETERS. DO NOT SCALE PRINT

PRINT DIST

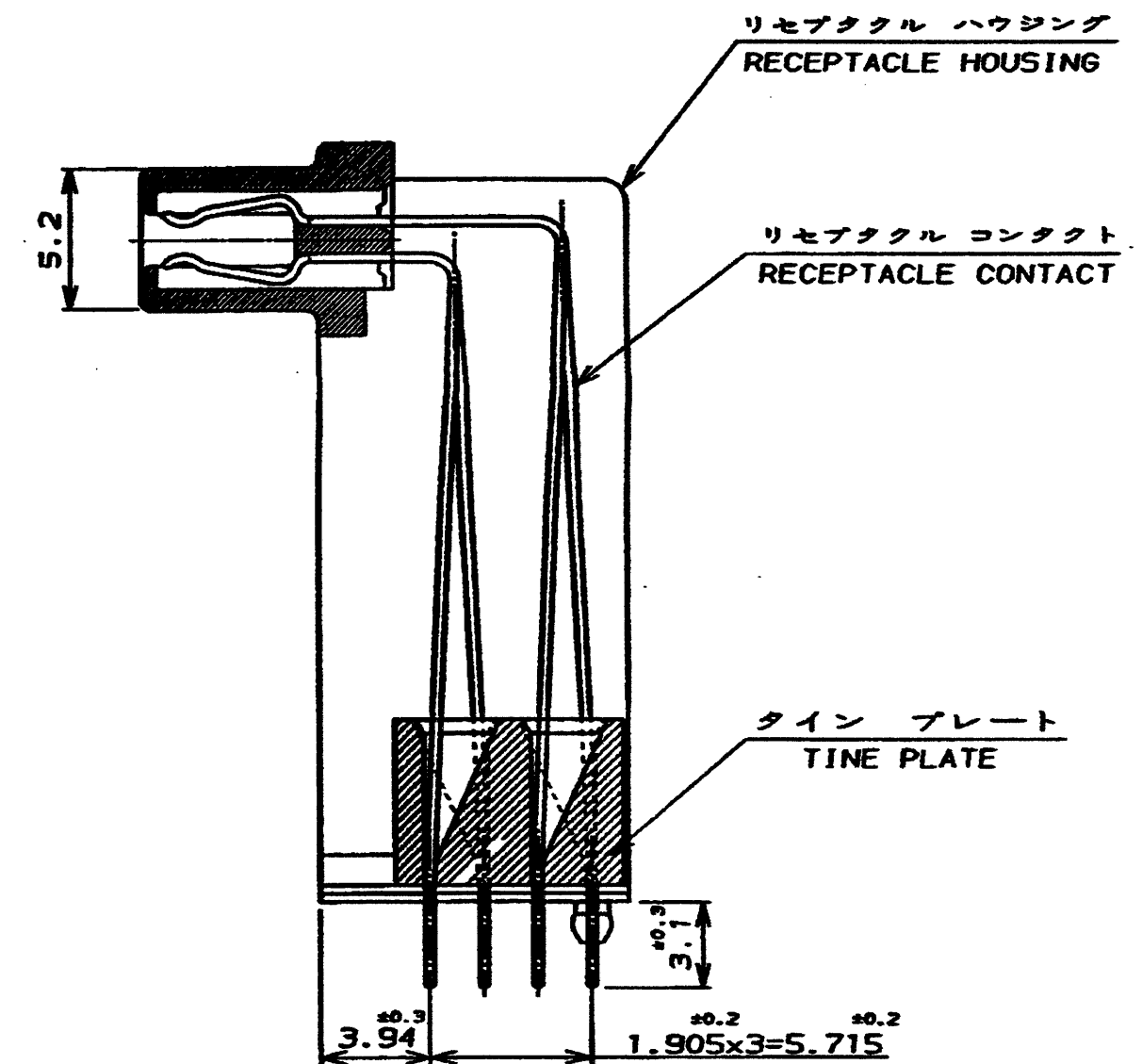


基板穴位置 P.C.B HOLE LAYOUT
(コネクタ搭載面) (CONN'MOUNT. SIDE)

LEAD FREE

NOTES:

- 1. NUMBER "n" IS COUNTED FROM DATUM
- △ MATERIAL: HOUSING, AND TINE PLATE: 66 NYLON (GF) UL 94V-0, BLACK. CONTACT, PHOSPHOR BRONZE.
- △ FINISH: Au AT CONTACT AREA (SEE TABLE), TIN AT TINE, OVER Ni.
- △ FOR SECURING CONNECTOR, USE CROSS-RECESSED PAN HEAD TAPPING SCREW CLASS 2, M3x8mm. (SCREW-IN TORQUE TO BE 4KgcM MAX.)



SECT. "A"- "A"
(SCALE 4-1)

36	0.2 μ	5178647-4
POS	Au PLATE	P/N

tyco Tyco Electronics AMP K.K.
Kawasaki, Japan

WIRE RANGE		INSULATION DIA		NAME	
AMP (CNS -)		-		チャンプ 050 (I) コネクタ (B-T-B) CHAMP.050 (I) CONN. B-T-B リセプタクル コネクタ ホリゾンタル タイプ RECEPTAC. CONN. "H" TYPE	
MATERIAL		FINISH		GENERAL TOLERANCE	
△		△		0mm 10 : ±0.2 10mm 30 : ±0.25 30mm 100 : ±0.3	
O ACTIVATE FJ80-0871-04		LZ IE Oct.8 '04		DR. LEO ZHOU Oct.8'04	
LTR REVISION RECORD		DR CHK DATE		CHK STEVEN YAO Oct.8'04	
				APP. IENOMOTO Oct.8'04	
				ANGLES : ±3°	
				SCALE	
				2-1	
				REV. 0	
				SHEET 1 OF 1	

CUSTOMER DRAWING