



Chipsmall Limited consists of a professional team with an average of over 10 year of expertise in the distribution of electronic components. Based in Hongkong, we have already established firm and mutual-benefit business relationships with customers from,Europe,America and south Asia,supplying obsolete and hard-to-find components to meet their specific needs.

With the principle of "Quality Parts,Customers Priority,Honest Operation,and Considerate Service",our business mainly focus on the distribution of electronic components. Line cards we deal with include Microchip,ALPS,ROHM,Xilinx,Pulse,ON,Everlight and Freescale. Main products comprise IC,Modules,Potentiometer,IC Socket,Relay,Connector.Our parts cover such applications as commercial,industrial, and automotives areas.

We are looking forward to setting up business relationship with you and hope to provide you with the best service and solution. Let us make a better world for our industry!



## Contact us

Tel: +86-755-8981 8866 Fax: +86-755-8427 6832

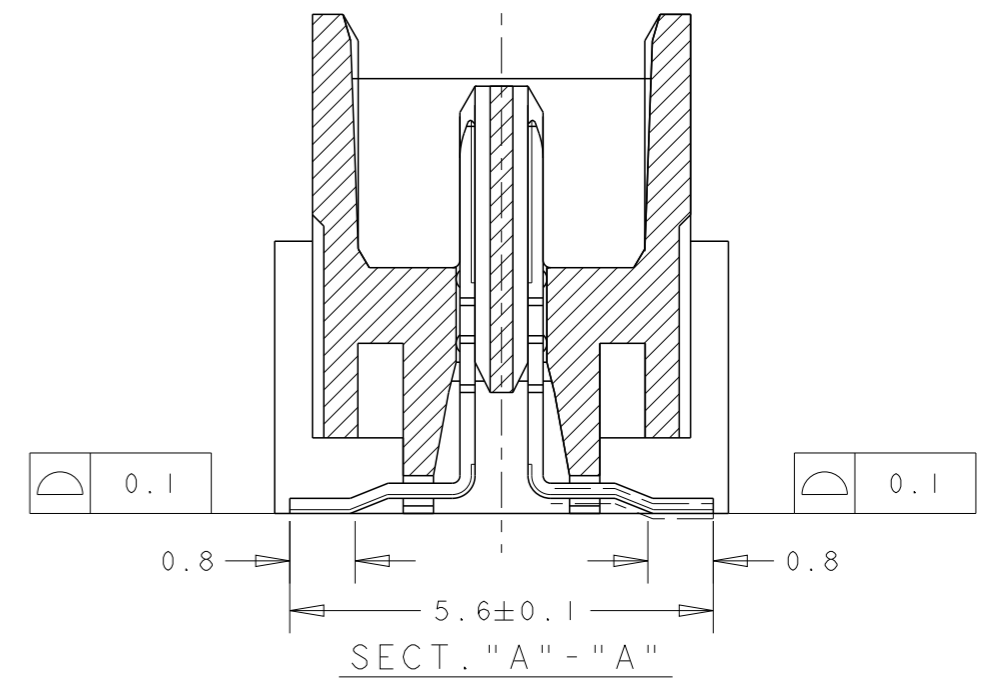
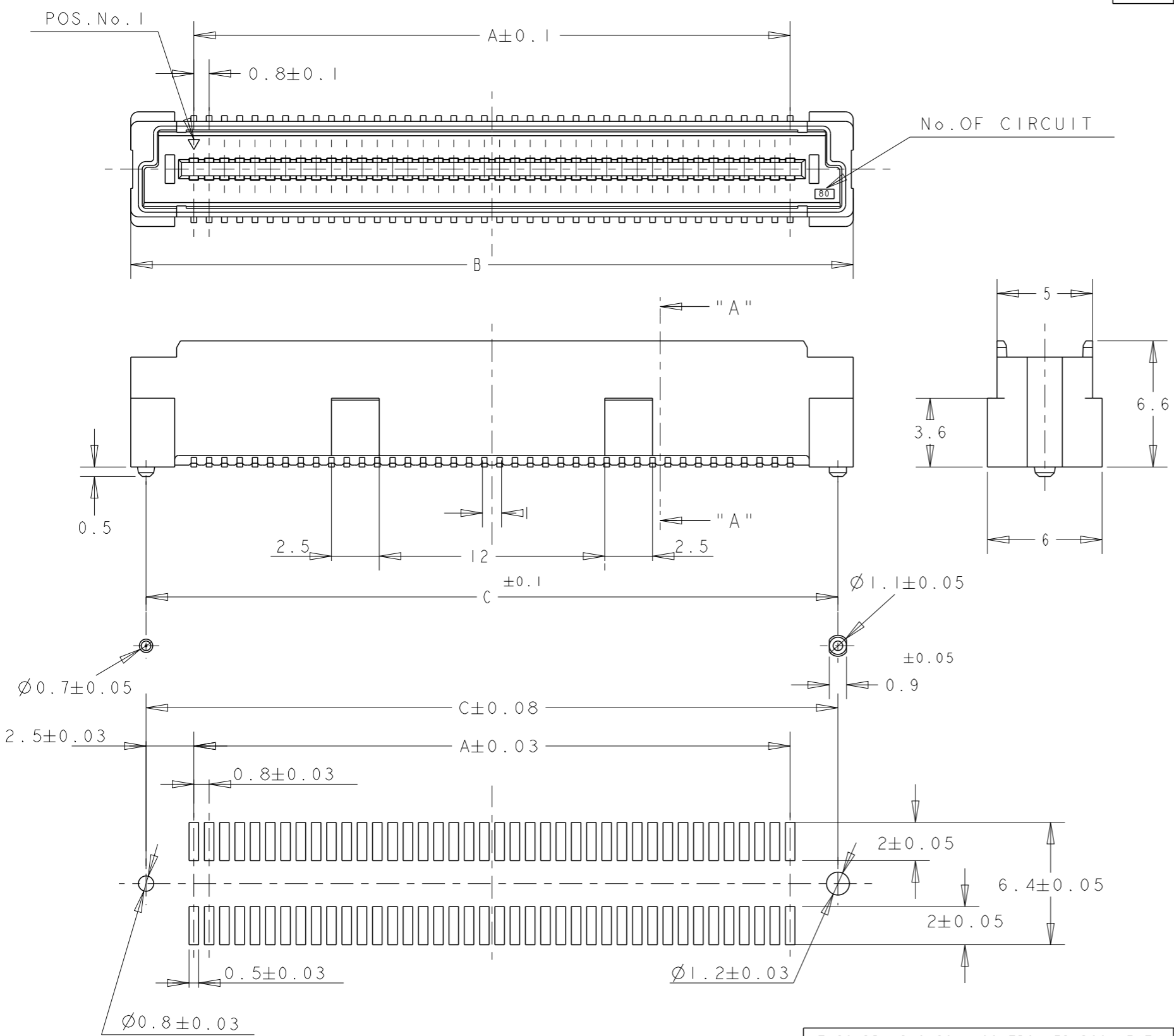
Email & Skype: info@chipsmall.com Web: www.chipsmall.com

Address: A1208, Overseas Decoration Building, #122 Zhenhua RD., Futian, Shenzhen, China



THIS DRAWING IS UNPUBLISHED. RELEASED FOR PUBLICATION 20  
 © COPYRIGHT 20 BY - ALL RIGHTS RESERVED.


LOC	DIST	REVISIONS			
P	LTR	DESCRIPTION	DATE	DWN	APVD
DY	-	B2	REVISED PER ECR-12-021394	12DEC12	IT SY



- NOTES:
- 1 MATERIAL:  
HOUSING: L.C.P. (HIGH TEMP THERMO PLASTIC)  
UL 94V-0, NATURAL.  
CONTACT: BRASS.
  - 2 FINISH:  
CONTACT AREA: 0.0002 MIN GOLD ON  
0.0013 MIN ALL OVER NICKEL.
  - 3 SOLDERING AREA: 0.002 MIN MATTE-TIN.
  - 4 POSITION SERIES: SEE TABLE.
  - CONN STACK HEIGHT COMBINE OF PLUG "Y" H VS REC "X" H.  
STACK HEIGHT = Y + X - 5
  - 5 FINISH:  
CONTACT AREA: 0.00076 MIN GOLD ON  
0.0013 MIN ALL OVER NICKEL.  
SOLDERING AREA: 0.002 MIN MATTE-TIN.
  - 6 OBSOLETE PARTS: OBSOLETE CIS STREAMLINING PER  
D.RENAUD/D.SINISI.
  - 7 FINISH:  
CONTACT AREA: 0.00038 MIN GOLD ON  
0.0013 MIN ALL OVER NICKEL.  
SOLDERING AREA: 0.002 MIN MATTE-TIN.

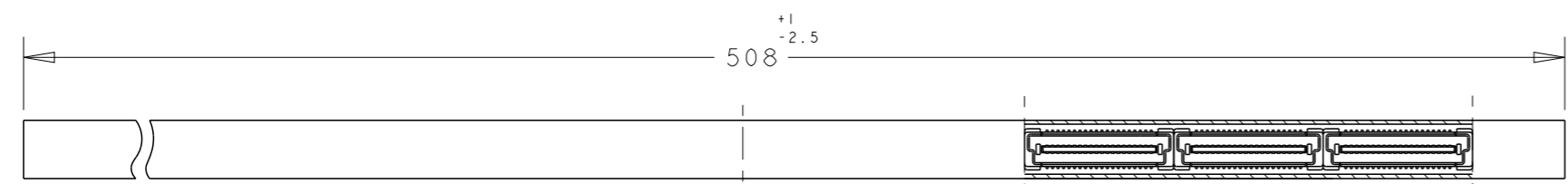
P/N SEE SHEET 2 AND 3 OF 3

RECOMMENDED P.C. BOARD LAYOUT

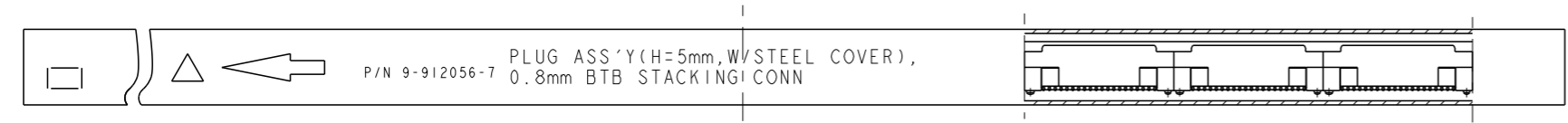
THIS DRAWING IS A CONTROLLED DOCUMENT.		DWN FLORENCE TAN 30AUG04	 TE Connectivity	
DIMENSIONS: mm		CHK ERIC TNG		
TOLERANCES UNLESS OTHERWISE SPECIFIED:		APVD SE LEONG	NAME PLUG ASSEMBLY 7H TYPE (0.5 BOSS LENGTH) FOR FH 0.8mm PITCH BTB CONNECTOR	
0 PLC ± 1 PLC ±0.30 2 PLC ±0.25 3 PLC ±0.20 4 PLC ± ANGLES ±3°		PRODUCT SPEC 108-5390	SIZE A300779	
MATERIAL		APPLICATION SPEC 114-5254	DRAWING NO C-5179030	
FINISH SEE P/N TABLE		WEIGHT -	RESTRICTED TO -	
		CUSTOMER DRAWING	SCALE 4:1	SHEET 1 OF 3
				REV B2

THIS DRAWING IS UNPUBLISHED. RELEASED FOR PUBLICATION 20  
 © COPYRIGHT 20 BY - ALL RIGHTS RESERVED.

LOC	DIST	REVISIONS				
P	LTR	DESCRIPTION	DATE	DWN	APVD	
DY	-	SEE HEET 1				



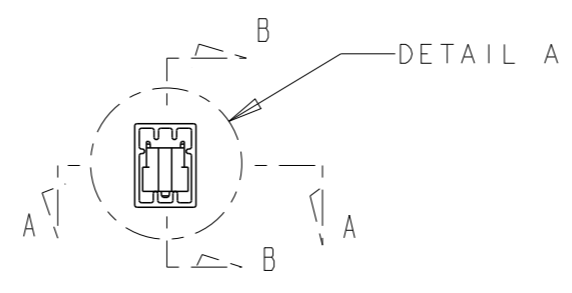
SECT A-A



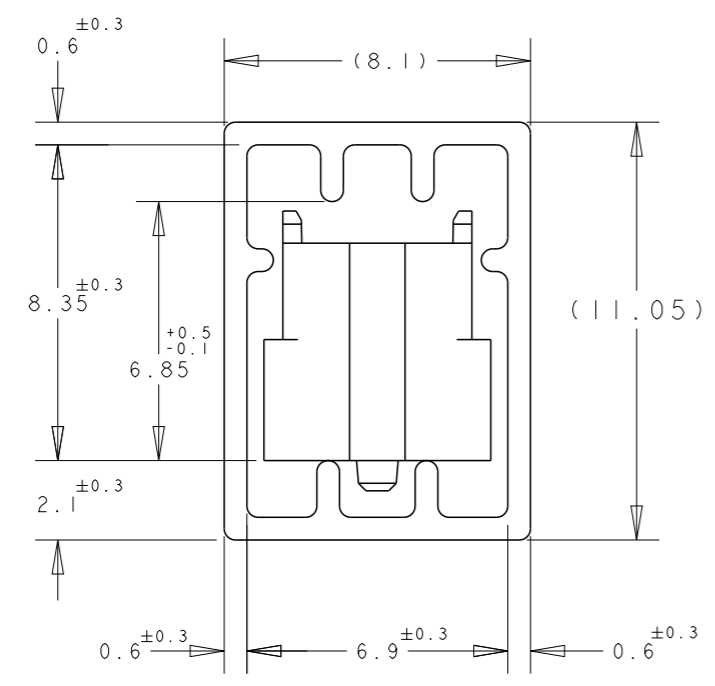
SECT B-B

P/N 9-912056-7 PLUG ASS'Y (H=5mm, W/STEEL COVER),  
 0.8mm BTB STACKING CONN

REFERENCE PICTURE OF TUBE PACK



DETAIL A



DETAIL "B"  
(SCALE 5-1)

CNT	PLT	FINISH	AVAILABILITY	QTY/TUBE					CONN P/N	
				C	B	A	POS.			
5	15Au/Sn	△	NOT AVAILABLE	5	84.2	85.8	79.2	200	4-	-0
			NOT AVAILABLE	6	76.2	77.8	71.2	180	3-	-9
			NOT AVAILABLE	6	68.2	69.8	63.2	160	3-	-8
			NOT AVAILABLE	7	60.2	61.8	55.2	140	3-	-6
			AVAILABLE	9	52.2	53.8	47.2	120	3-	-5
			NOT AVAILABLE	10	44.2	45.8	39.2	100	3-	-4
			NOT AVAILABLE	12	36.2	37.8	31.2	80	3-	-3
			NOT AVAILABLE	16	28.2	29.8	23.2	60	3-	-2
			NOT AVAILABLE	22	20.2	21.8	15.2	40	3-	-1
			6	30Au/Sn	△	AVAILABLE	5	84.2	85.8	79.2
AVAILABLE	6	76.2				77.8	71.2	180	1-	-9
AVAILABLE	6	68.2				69.8	63.2	160	1-	-8
AVAILABLE	7	64.2				65.8	59.2	150	1-	-7
AVAILABLE	7	60.2				61.8	55.2	140	1-	-6
AVAILABLE	9	52.2				53.8	47.2	120	1-	-5
AVAILABLE	10	44.2				45.8	39.2	100	1-	-4
AVAILABLE	12	36.2				37.8	31.2	80	1-	-3
AVAILABLE	16	28.2				29.8	23.2	60	1-	-2
AVAILABLE	22	20.2				21.8	15.2	40	1-	-1
8	08Au/Sn	△	AVAILABLE	5	84.2	85.8	79.2	200	1-	-0
			AVAILABLE	6	76.2	77.8	71.2	180		-9
			AVAILABLE	6	68.2	69.8	63.2	160		-8
			AVAILABLE	7	64.2	65.8	59.2	150		-7
			AVAILABLE	7	60.2	61.8	55.2	140		-6
			AVAILABLE	9	52.2	53.8	47.2	120		-5
			AVAILABLE	10	44.2	45.8	39.2	100		-4
			AVAILABLE	12	36.2	37.8	31.2	80		-3
			AVAILABLE	16	28.2	29.8	23.2	60		-2
			AVAILABLE	22	20.2	21.8	15.2	40		-1

THIS DRAWING IS A CONTROLLED DOCUMENT. DWN FLORENCE TAN 30AUG04  
 CHK ERIC TNG  
 APVD SEIFONG  
 PRODUCT SPEC 108-5390  
 APPLICATION SPEC 114-5254  
 WEIGHT -

**STE** TE Connectivity

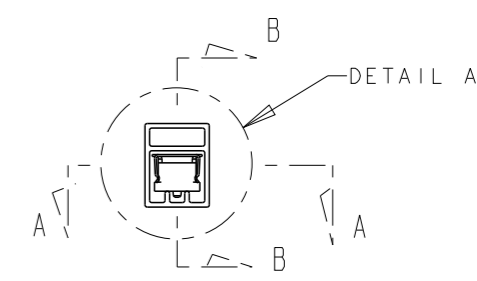
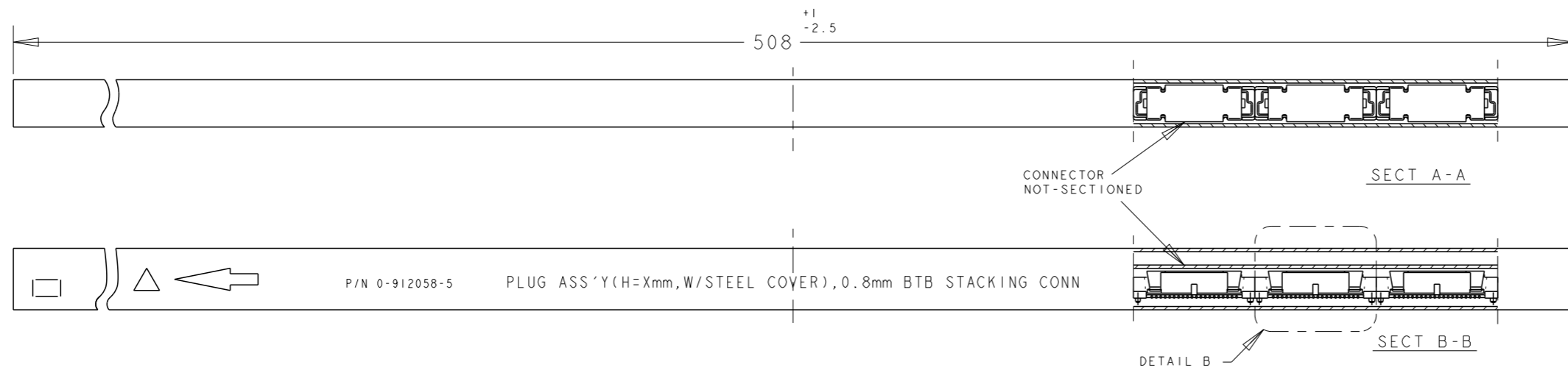
NAME: PLUG ASSEMBLY 7H TYPE (0.5 BOSS LENGTH) FOR FH 0.8mm PITCH BTB CONNECTOR

SIZE: A300779 CAGE CODE: C-5179030 DRAWING NO: 5179030-1 RESTRICTED TO: -

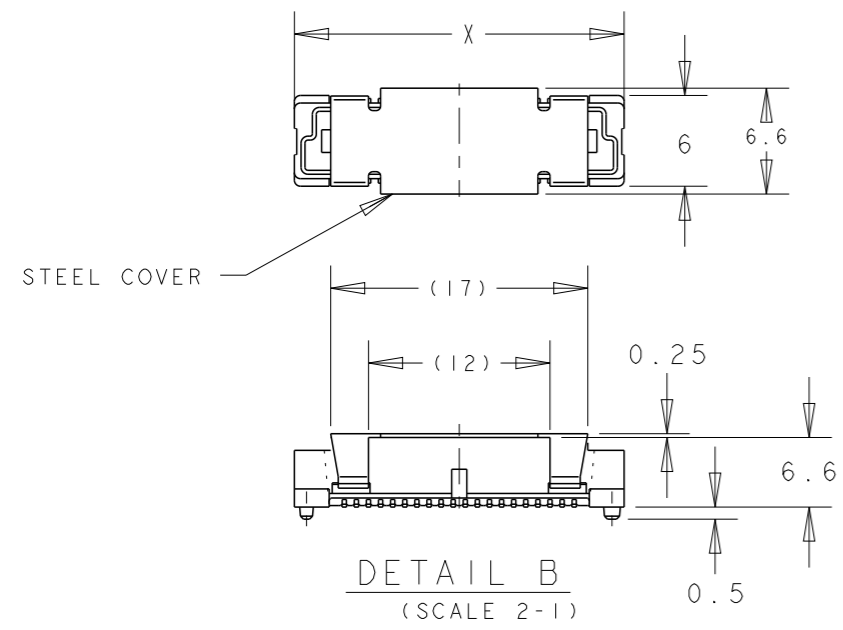
CUSTOMER DRAWING SCALE: 4:1 SHEET: 2 OF 3 REV: B2

DIMENSIONS: mm		TOLERANCES UNLESS OTHERWISE SPECIFIED:	
	0 PLC ±	1 PLC ±0.30	2 PLC ±0.25
	3 PLC ±0.20	4 PLC ±	ANGLES ±3°
MATERIAL: -	FINISH: SEE P/N TABLE		

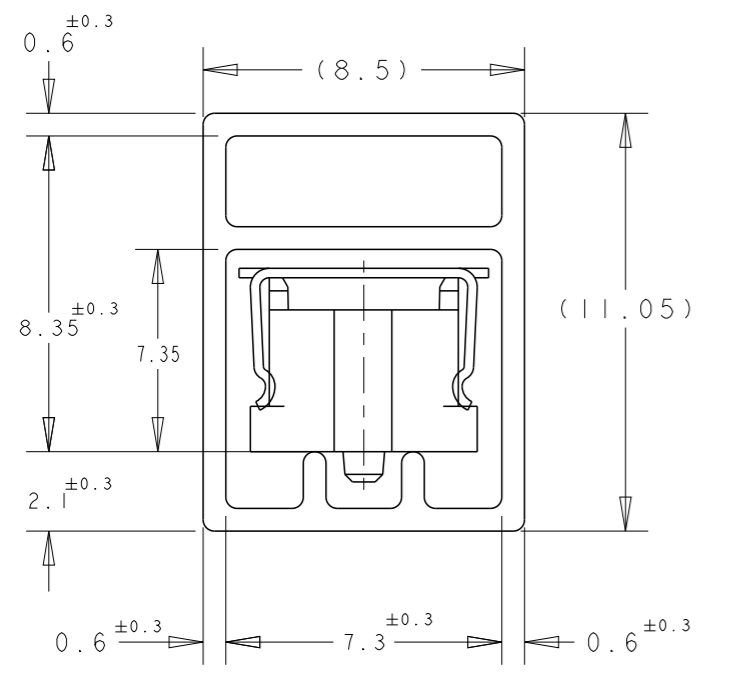
LOC	DIST	REVISIONS					
DY	-	P	LTR	DESCRIPTION	DATE	DWN	APVD
				SEE HEET 1			



### PLUG TUBE ASSY WITH STEEL COVER FOR FH 0.8 B-T-B CONNECTOR



DETAIL B  
(SCALE 2-1)



DETAIL A  
(SCALE 5-1)

CMT	PLT	30Au/Sn	5	AVAILABLE	5	85.8	200	3-	-0
					6	77.8	180	2-	-9
				6	69.8	160	2-	-8	
				7	65.8	150	2-	-7	
				7	61.8	140	2-	-6	
				9	53.8	120	2-	-5	
				10	45.8	100	2-	-4	
				12	37.8	80	2-	-3	
				16	29.8	60	2-	-2	
				22	21.8	40	2-	-1	2-5179030-1
FINISH/REMARKS	AVAILABILITY	QTY/TUBE	X	POS.	CONN	P/N			

THIS DRAWING IS A CONTROLLED DOCUMENT.

DIMENSIONS:	TOLERANCES UNLESS OTHERWISE SPECIFIED:
mm	0 PLC ±-
	1 PLC ±0.30
	2 PLC ±0.25
	3 PLC ±0.20
	4 PLC ±-
	ANGLES ±3°
MATERIAL	FINISH
	SEE P/N TABLE

DWN	30AUG04
CHK	FLORENCE TAN
APVD	ERIC TNG
PRODUCT SPEC	SE LEONG
APPLICATION SPEC	108-5390
WEIGHT	114-5254
CUSTOMER DRAWING	

**STE** TE Connectivity

NAME: PLUG ASSEMBLY 7H TYPE (0.5 BOSS LENGTH) FOR FH 0.8mm PITCH BTB CONNECTOR

SIZE	CAGE CODE	DRAWING NO	RESTRICTED TO
A300779	C=5179030		-

SCALE: 4:1 SHEET: 3 OF 3 REV: B2