



Chipsmall Limited consists of a professional team with an average of over 10 year of expertise in the distribution of electronic components. Based in Hongkong, we have already established firm and mutual-benefit business relationships with customers from,Europe,America and south Asia,supplying obsolete and hard-to-find components to meet their specific needs.

With the principle of “Quality Parts,Customers Priority,Honest Operation,and Considerate Service”,our business mainly focus on the distribution of electronic components. Line cards we deal with include Microchip,ALPS,ROHM,Xilinx,Pulse,ON,Everlight and Freescale. Main products comprise IC,Modules,Potentiometer,IC Socket,Relay,Connector.Our parts cover such applications as commercial,industrial, and automotives areas.

We are looking forward to setting up business relationship with you and hope to provide you with the best service and solution. Let us make a better world for our industry!



## Contact us

Tel: +86-755-8981 8866 Fax: +86-755-8427 6832

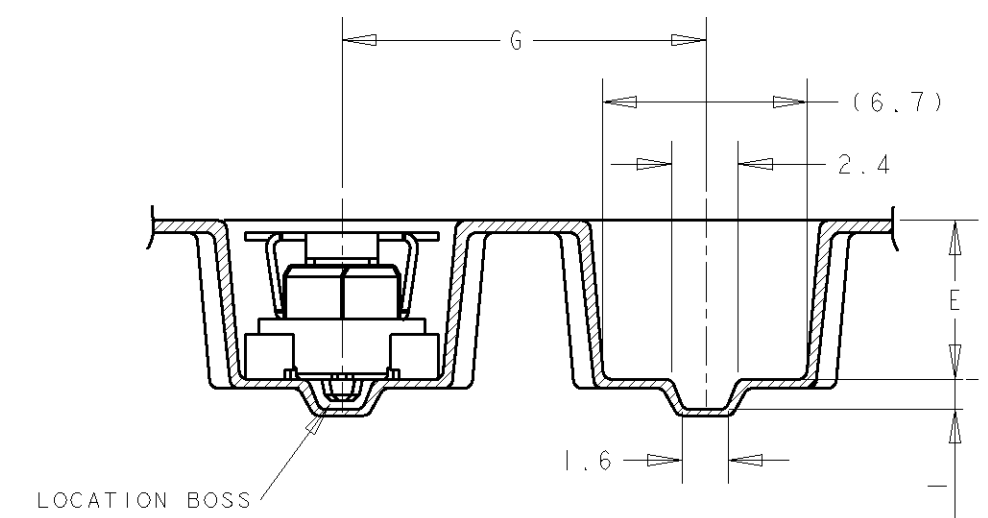
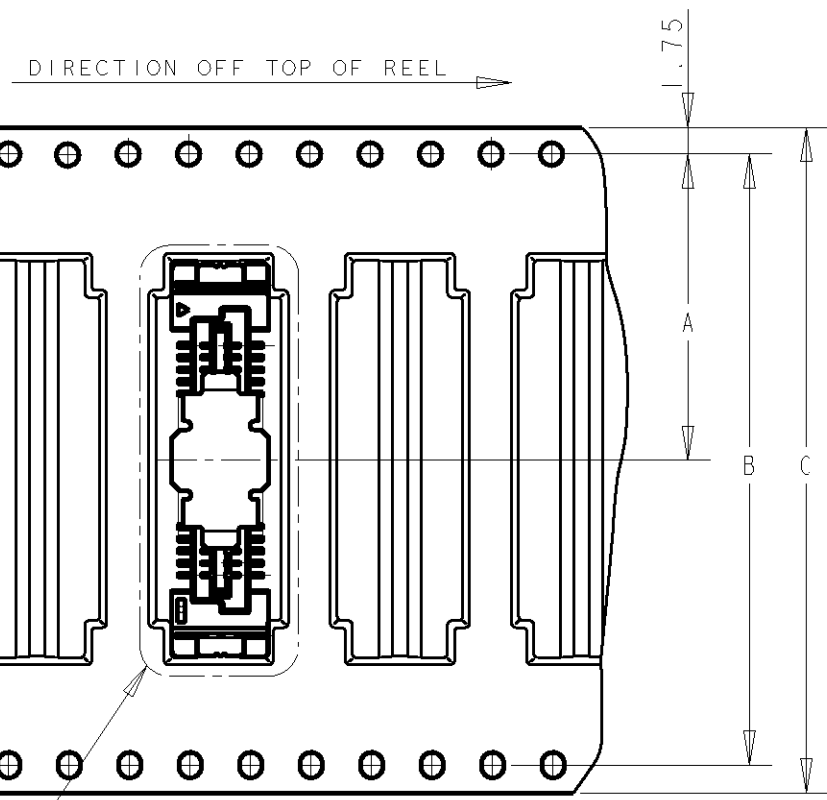
Email & Skype: info@chipsmall.com Web: www.chipsmall.com

Address: A1208, Overseas Decoration Building, #122 Zhenhua RD., Futian, Shenzhen, China



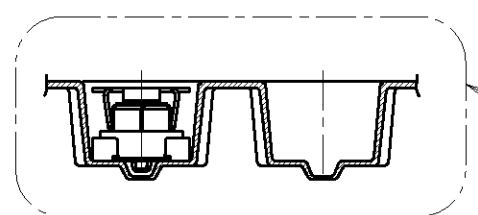
THIS DRAWING IS UNPUBLISHED. RELEASED FOR PUBLICATION .19  
 © COPYRIGHT 19 BY AMP INCORPORATED. ALL RIGHTS RESERVED.

LOC	DIST	REVISIONS			
P	LTR	DESCRIPTION	DATE	DWN	APVD
DY	-	0 NPR FP00-0274-04	INOV04	LWY	VT

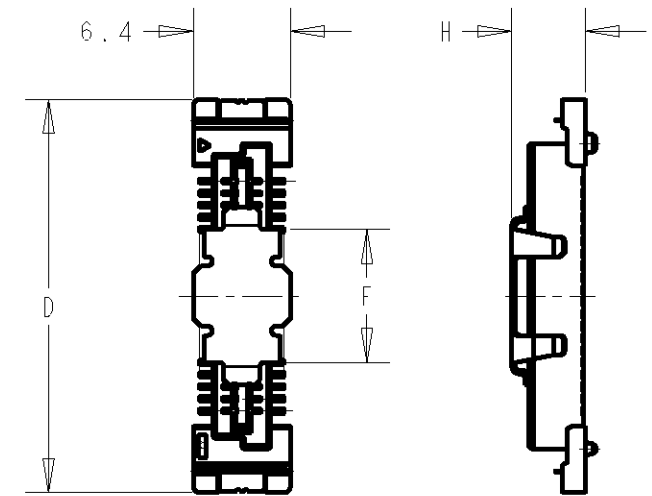


DETAIL A  
(SCALE 4-1)

DETAIL B

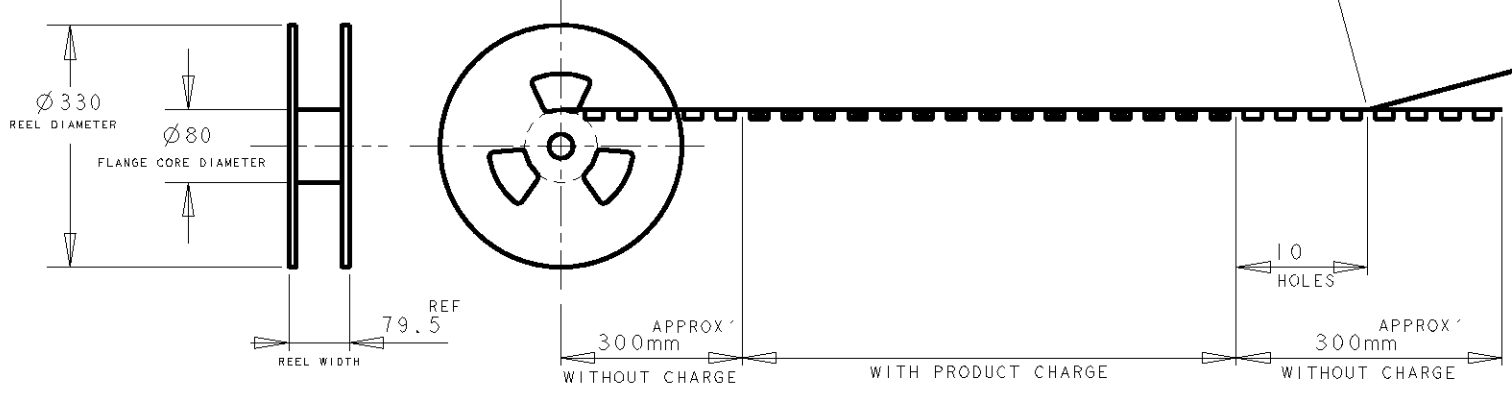


DETAIL A



DETAIL B

WEEDING THE COVER TAPE AROUND THE OUTER PERIPHERY IN A TURN.



700	4	16	17	4.4	58	72	68.4	34.2	120	-5	-5
	4.85	12	8.8	5.25	42	56	52.4	26.2	80	-4	-4
	4.85	12	8.8	5.25	26	44	40.4	20.2	60	-3	-3
	4.85	12	8.8	5.25	26	44	40.4	20.2	40	-2	-2
900	4.85	12	8.8	5.25	26	44	40.4	20.2	40	5177934-1	5179160-1
QYT	H	G	F	E	D	C	B	A	POS	CONN P/N	PART NO.

NOTE;  
 1. THIS ITEM IS PRELIMINARY.  
 2. THIS PRODUCT WAS COATED BY FLUX-PENETRATION -INHIBITING AGENT.

THIS DRAWING IS A CONTROLLED DOCUMENT FOR AMP INCORPORATED. IT IS SUBJECT TO CHANGE AND THE CONTROLLING ENGINEERING ORGANIZATION SHOULD BE CONTACTED FOR THE LATEST REVISION.		DWN WYLEE 01NOV2004	<b>tyco</b> Electronics		Tyco Electronics Singapore Pte. Ltd.	
DIMENSIONS: mm		CHK VINCENT TAN	NAME REC ASS'Y WITH SOLDER PEG, FH 0.8mm B-T-B CONN. (STACK HEIGHT 5-8mm, 0.7 BOSS LENGTH) ON TAPING			
TOLERANCES UNLESS OTHERWISE SPECIFIED: 0 PLC ± 1 PLC ±0.20 2 PLC ±0.25 3 PLC ±0.30 4 PLC ± ANGLES ±3°		APVD ERIC TNG	DRAWING NO C-5179160			
MATERIAL		PRODUCT SPEC	SIZE A3		CAGE CODE 00779	SCALE
FINISH		APPLICATION SPEC	WEIGHT		SHEET	OF
		WEIGHT	CUSTOMER DRAWING		REV	0