



Chipsmall Limited consists of a professional team with an average of over 10 year of expertise in the distribution of electronic components. Based in Hongkong, we have already established firm and mutual-benefit business relationships with customers from,Europe,America and south Asia,supplying obsolete and hard-to-find components to meet their specific needs.

With the principle of “Quality Parts,Customers Priority,Honest Operation,and Considerate Service”,our business mainly focus on the distribution of electronic components. Line cards we deal with include Microchip,ALPS,ROHM,Xilinx,Pulse,ON,Everlight and Freescale. Main products comprise IC,Modules,Potentiometer,IC Socket,Relay,Connector.Our parts cover such applications as commercial,industrial, and automotives areas.

We are looking forward to setting up business relationship with you and hope to provide you with the best service and solution. Let us make a better world for our industry!



## Contact us

Tel: +86-755-8981 8866 Fax: +86-755-8427 6832

Email & Skype: info@chipsmall.com Web: www.chipsmall.com

Address: A1208, Overseas Decoration Building, #122 Zhenhua RD., Futian, Shenzhen, China



4

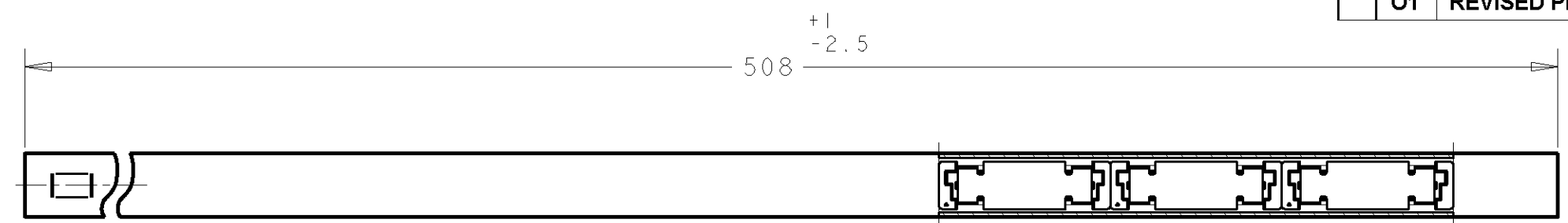
3

2

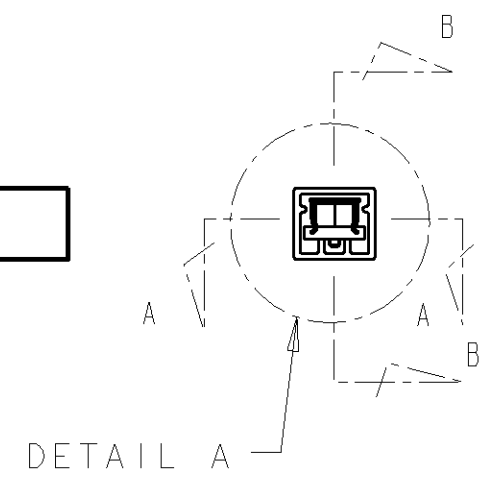
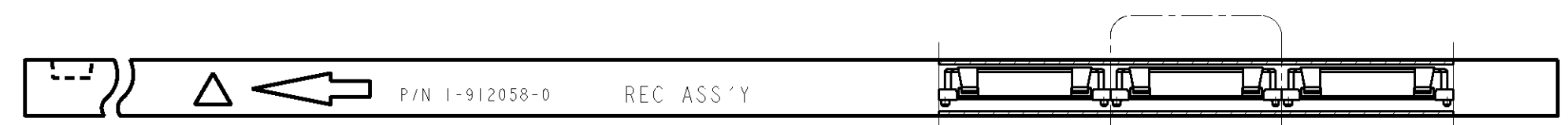
1

THIS DRAWING IS UNPUBLISHED. RELEASED FOR PUBLICATION .19 .  
 © COPYRIGHT 19 BY AMP INCORPORATED. ALL RIGHTS RESERVED.

LOC	DIST	REVISIONS			
P	LTR	DESCRIPTION	DATE	DWN	APVD
DY	-	O1 REVISED PER ECO-10-000445	11JAN10	KK	AEG

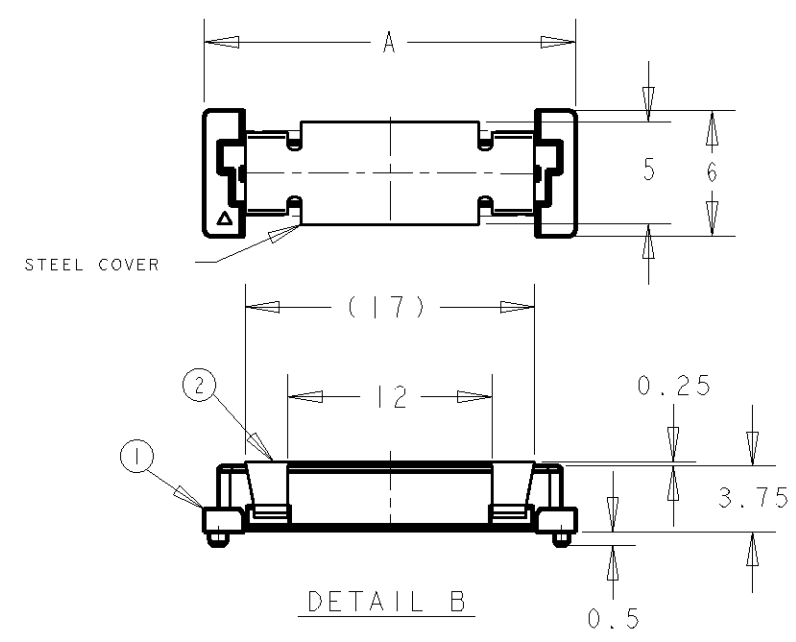


SECT A-A

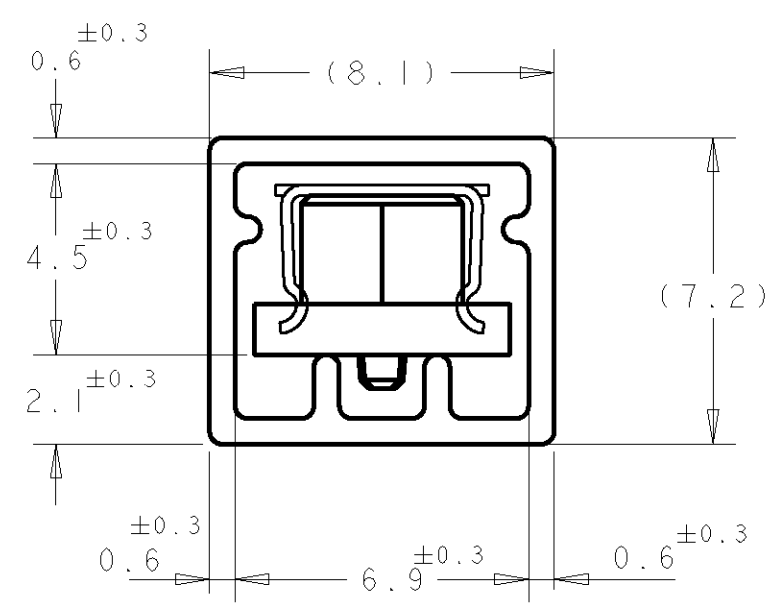


DETAIL B

SECT B-B



DETAIL B



DETAIL A

1 OBSOLETE

1 OBSOLETE

1 OBSOLETE PARTS: OBSOLETE CIS STREAMLINING PER D.RENAUD/D.SINISI

QTY	HEIGHT TYPE	A	CONN P/N	POS.	PART NO.
5		85.8	1-	-0	200
6		77.8		-9	180
6		69.8		-8	160
7		61.8		-6	140
8		53.8		-5	120
10		45.8		-4	100
12		37.8		-3	80
16		29.8		-2	60
22	5H	21.8	5177983-1		40

<small>THIS DRAWING IS A CONTROLLED DOCUMENT FOR AMP INCORPORATED. IT IS SUBJECT TO CHANGE AND THE CONTROLLING ENGINEERING ORGANIZATION SHOULD BE CONTACTED FOR THE LATEST REVISION.</small>		DWN 14SEP04 FLORENCE TAN CHK ERIC TNG APVD ERIC TNG PRODUCT SPEC - APPLICATION SPEC - WEIGHT -	<b>tyco</b> Tyco Electronics <b>Electronics</b> Singapore Pte. Ltd.
DIMENSIONS: mm	TOLERANCES UNLESS OTHERWISE SPECIFIED: 0 PLC ±- 1 PLC ±0.20 2 PLC ±0.25 3 PLC ±0.30 4 PLC ±- ANGLES ±3°	NAME REC A'SSY WITH STEEL COVER (TUBE PACK) FH 0.8mm PITCH B-T-B CONNECTOR 5H TYPE	SIZE A3 CAGE CODE 00779 DRAWING NO. 5179229
MATERIAL -	FINISH -	CUSTOMER DRAWING	SCALE - SHEET   OF   REV O1