



Chipsmall Limited consists of a professional team with an average of over 10 year of expertise in the distribution of electronic components. Based in Hongkong, we have already established firm and mutual-benefit business relationships with customers from,Europe,America and south Asia,supplying obsolete and hard-to-find components to meet their specific needs.

With the principle of "Quality Parts,Customers Priority,Honest Operation,and Considerate Service",our business mainly focus on the distribution of electronic components. Line cards we deal with include Microchip,ALPS,ROHM,Xilinx,Pulse,ON,Everlight and Freescale. Main products comprise IC,Modules,Potentiometer,IC Socket,Relay,Connector.Our parts cover such applications as commercial,industrial, and automotives areas.

We are looking forward to setting up business relationship with you and hope to provide you with the best service and solution. Let us make a better world for our industry!



Contact us

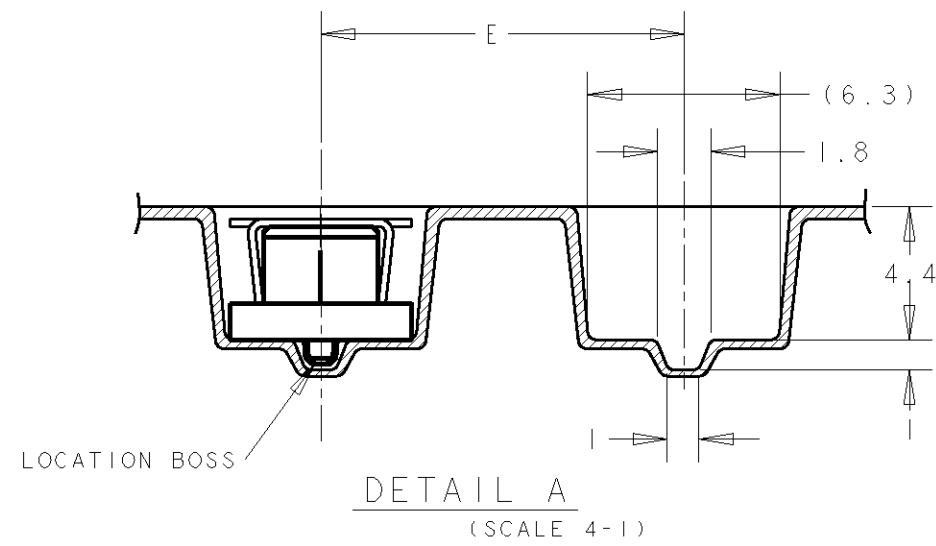
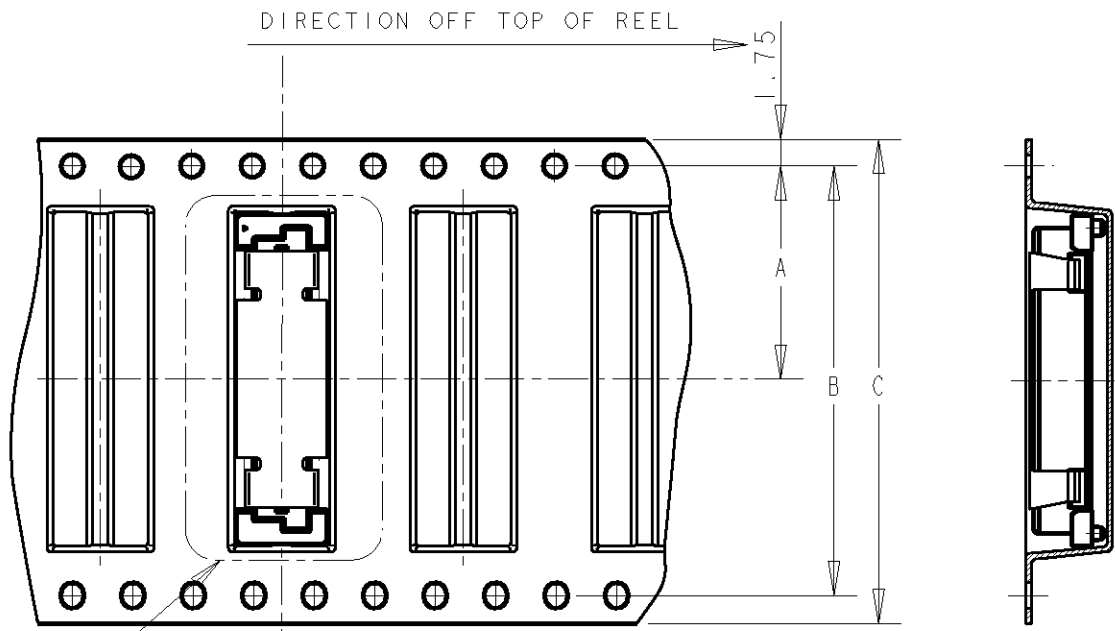
Tel: +86-755-8981 8866 Fax: +86-755-8427 6832

Email & Skype: info@chipsmall.com Web: www.chipsmall.com

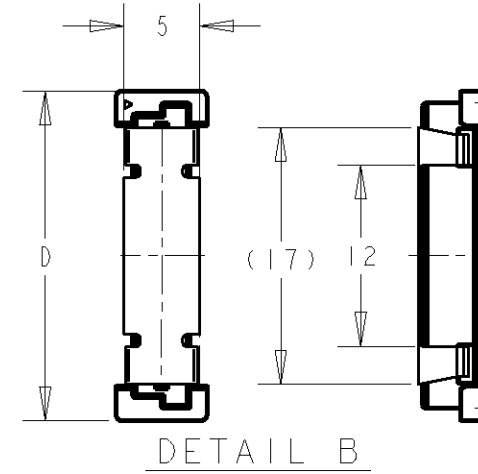
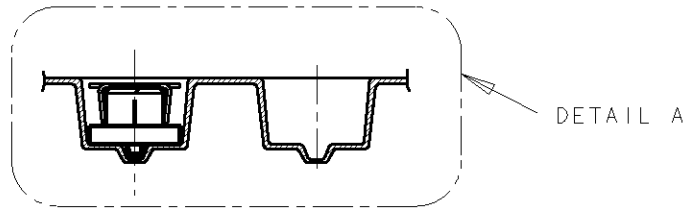
Address: A1208, Overseas Decoration Building, #122 Zhenhua RD., Futian, Shenzhen, China



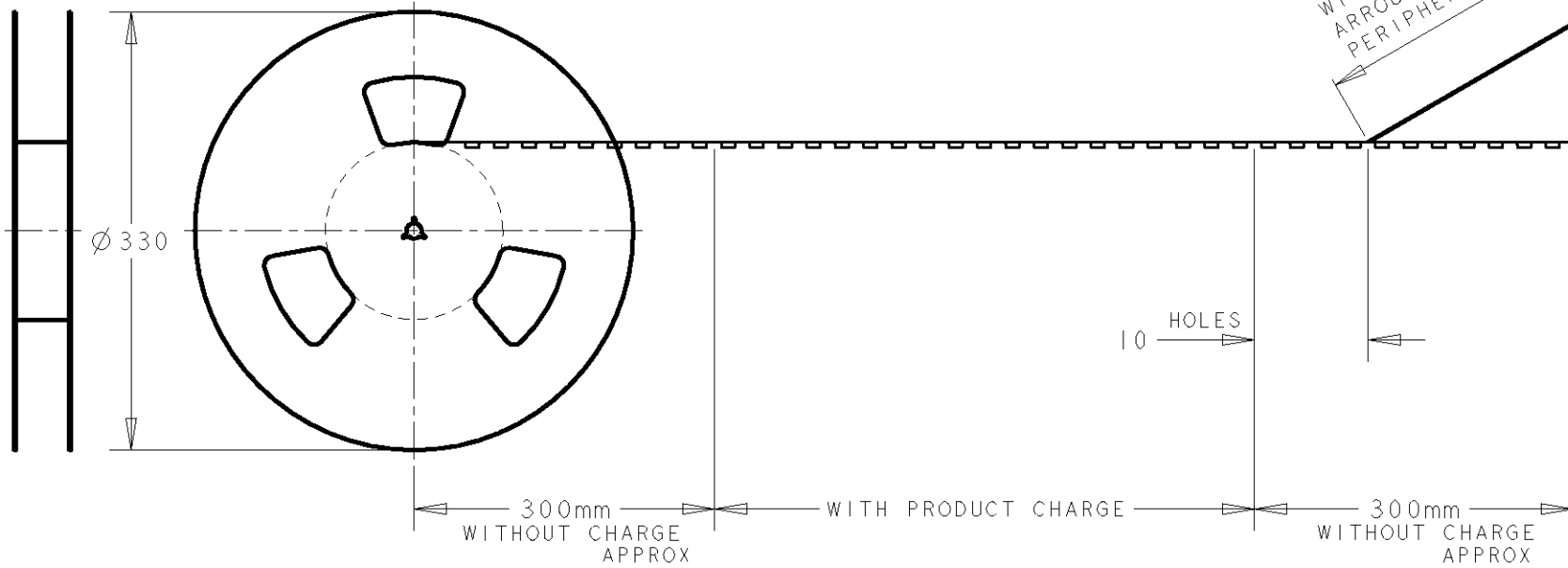
LOC	DIST	REVISIONS				
P	LTR	DESCRIPTION	DATE	DWN	APVD	
DY	-	0 NPR FP00-0274-04	2NOV04	LWY	VT	



DETAIL B



WINDING THE COVER TAPE AROUND THE OUTER PERIPHERY IN A TURN.



NOT AVAILABLE			61.8				140	-6	-6
AVAILABLE			53.8				120	-5	-5
NOT AVAILABLE	700	16	45.8	72	68.4	34.2	100	-4	-4
			37.8	56	52.4	26.2	80	-3	-3
			29.8	44	40.4	20.2	60	-2	-2
AVAILABLE	1000	12	21.8	32	28.4	14.2	40	5177983-1	5179488-1
TOOLING STATUS	QTY	E	D	C	B	A	POS	CONN P/N	PART NO.

NOTE:
 1. THIS PRODUCT WAS COATED BY FLUX-PENTRATION -INHIDTING AGENT.

THIS DRAWING IS A CONTROLLED DOCUMENT FOR AMP INCORPORATED. IT IS SUBJECT TO CHANGE AND THE CONTROLLING ENGINEERING ORGANIZATION SHOULD BE CONTACTED FOR THE LATEST REVISION.		DWN WYLEE	2NOV04	tyco Tyco Electronics Electronics Singapore Pte. Ltd.	
DIMENSIONS: mm		CHK VINCENT TAN	NAME RECEPTACLE ASSEMBLY 5H TYPE (0.5 BOSS LENGTH) FOR FH 0.8B-T-B CONN, ON TAPING		
TOLERANCES UNLESS OTHERWISE SPECIFIED: 0 PLC ±- 1 PLC ±0.2 2 PLC ±0.25 3 PLC ±0.3 4 PLC ±- ANGLES ±3°		APVD ERIC TNG	DRAWING NO A3 00779 C-5179488		
MATERIAL -		PRODUCT SPEC -	CAGE CODE 00779		SCALE 2:1
FINISH -		APPLICATION SPEC -	DRAWING NO C-5179488		SHEET 1 OF 1
CUSTOMER DRAWING		WEIGHT -	REV 0		