



Chipsmall Limited consists of a professional team with an average of over 10 year of expertise in the distribution of electronic components. Based in Hongkong, we have already established firm and mutual-benefit business relationships with customers from,Europe,America and south Asia,supplying obsolete and hard-to-find components to meet their specific needs.

With the principle of "Quality Parts,Customers Priority,Honest Operation,and Considerate Service",our business mainly focus on the distribution of electronic components. Line cards we deal with include Microchip,ALPS,ROHM,Xilinx,Pulse,ON,Everlight and Freescale. Main products comprise IC,Modules,Potentiometer,IC Socket,Relay,Connector.Our parts cover such applications as commercial,industrial, and automotives areas.

We are looking forward to setting up business relationship with you and hope to provide you with the best service and solution. Let us make a better world for our industry!



Contact us

Tel: +86-755-8981 8866 Fax: +86-755-8427 6832

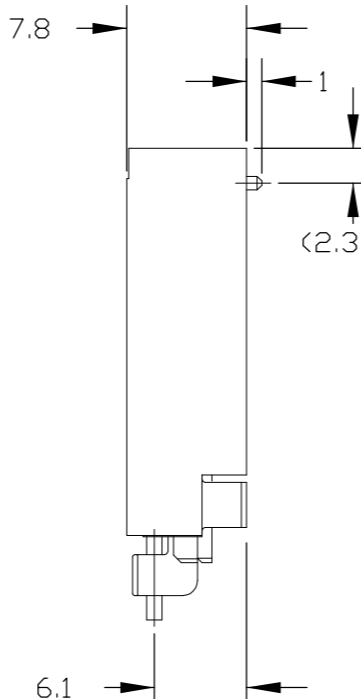
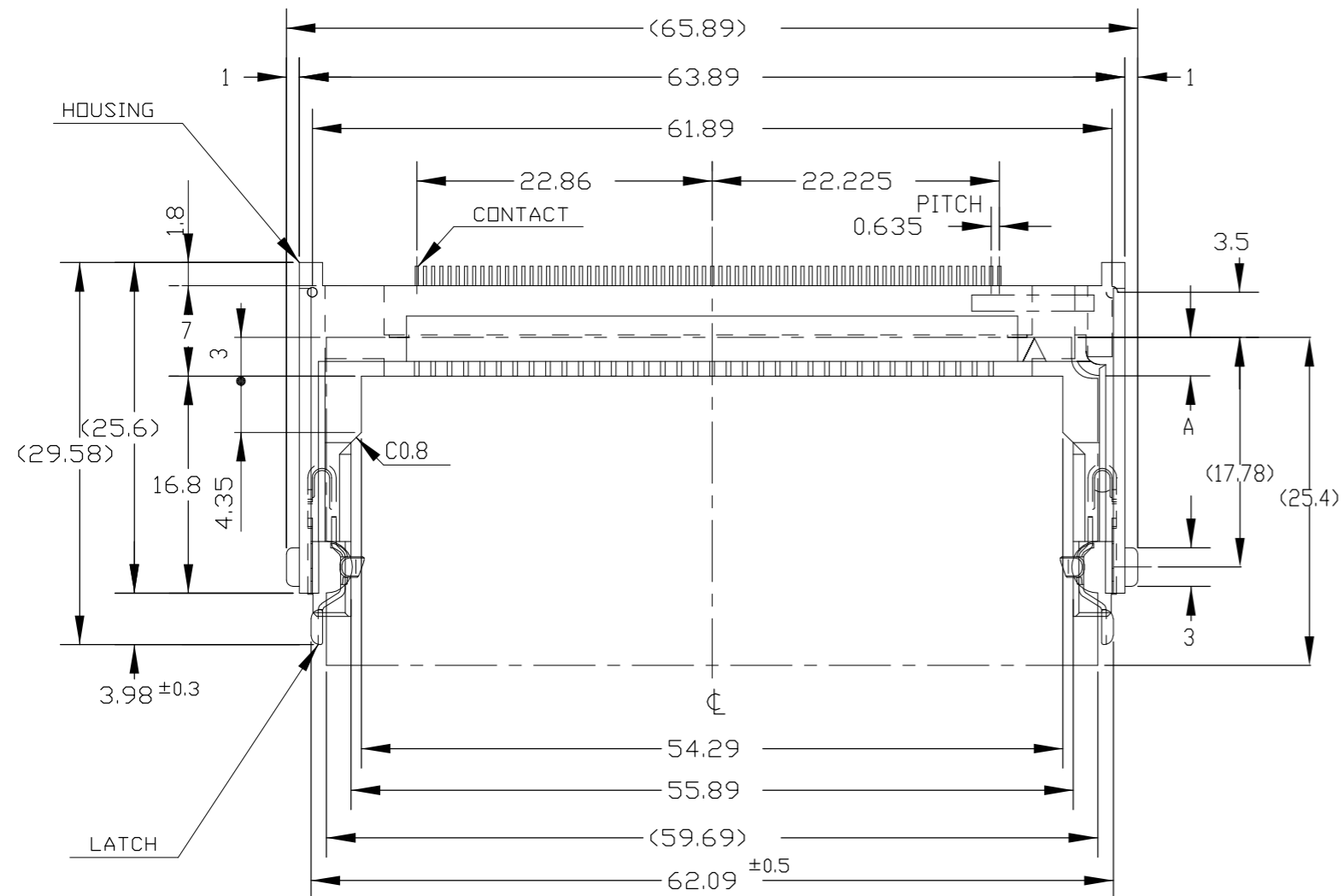
Email & Skype: info@chipsmall.com Web: www.chipsmall.com

Address: A1208, Overseas Decoration Building, #122 Zhenhua RD., Futian, Shenzhen, China

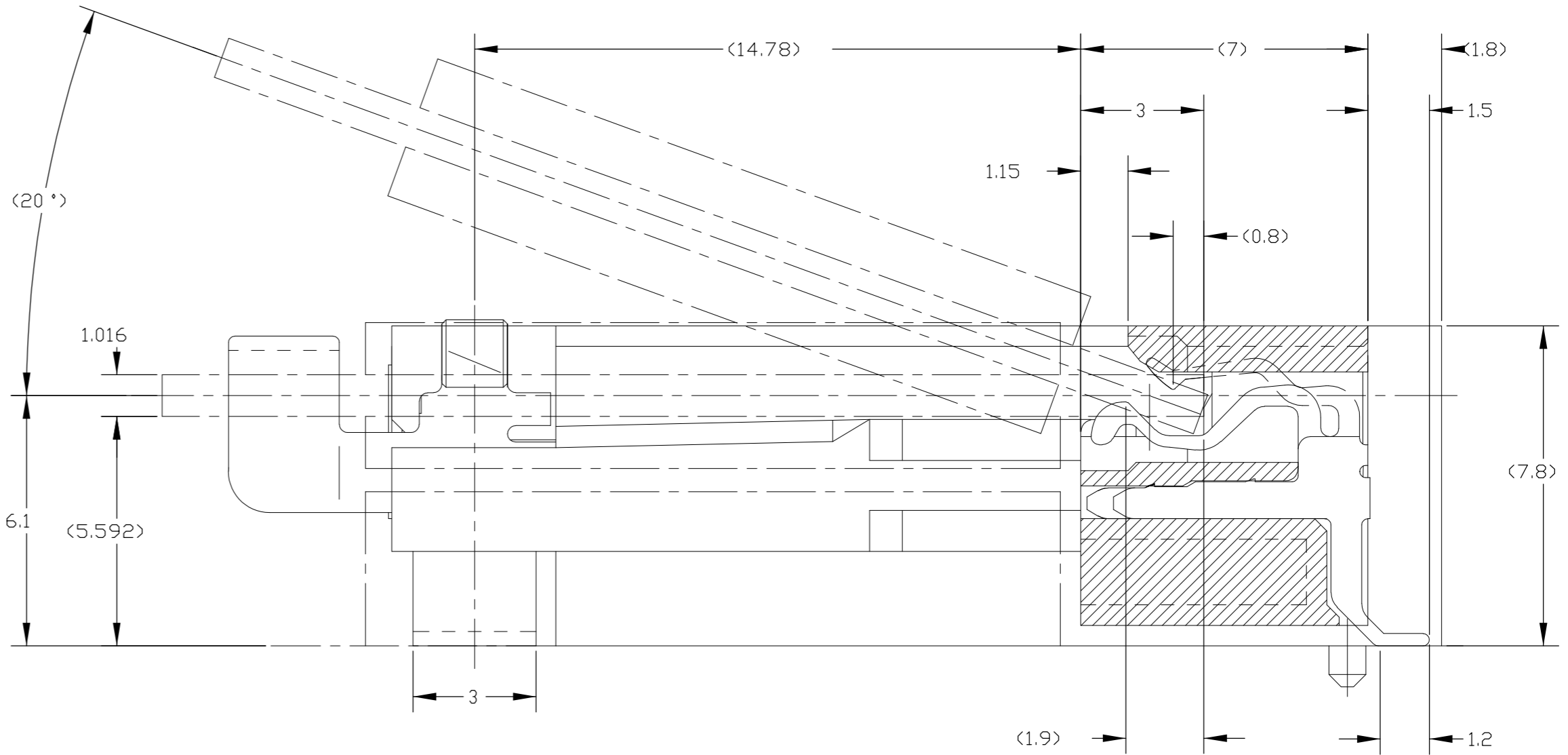
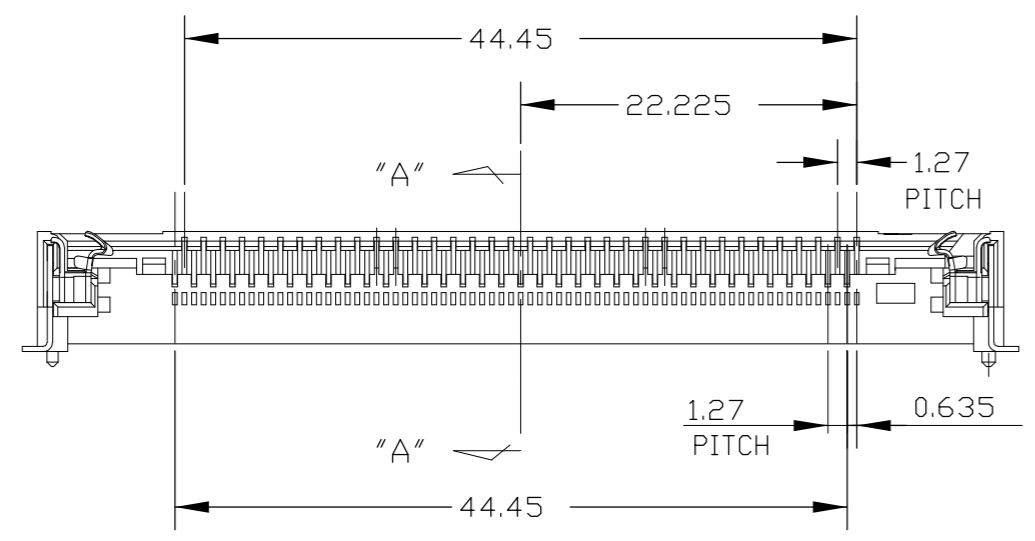


THIS DRAWING IS UNPUBLISHED. RELEASED FOR PUBLICATION
 © COPYRIGHT - By - ALL RIGHTS RESERVED.

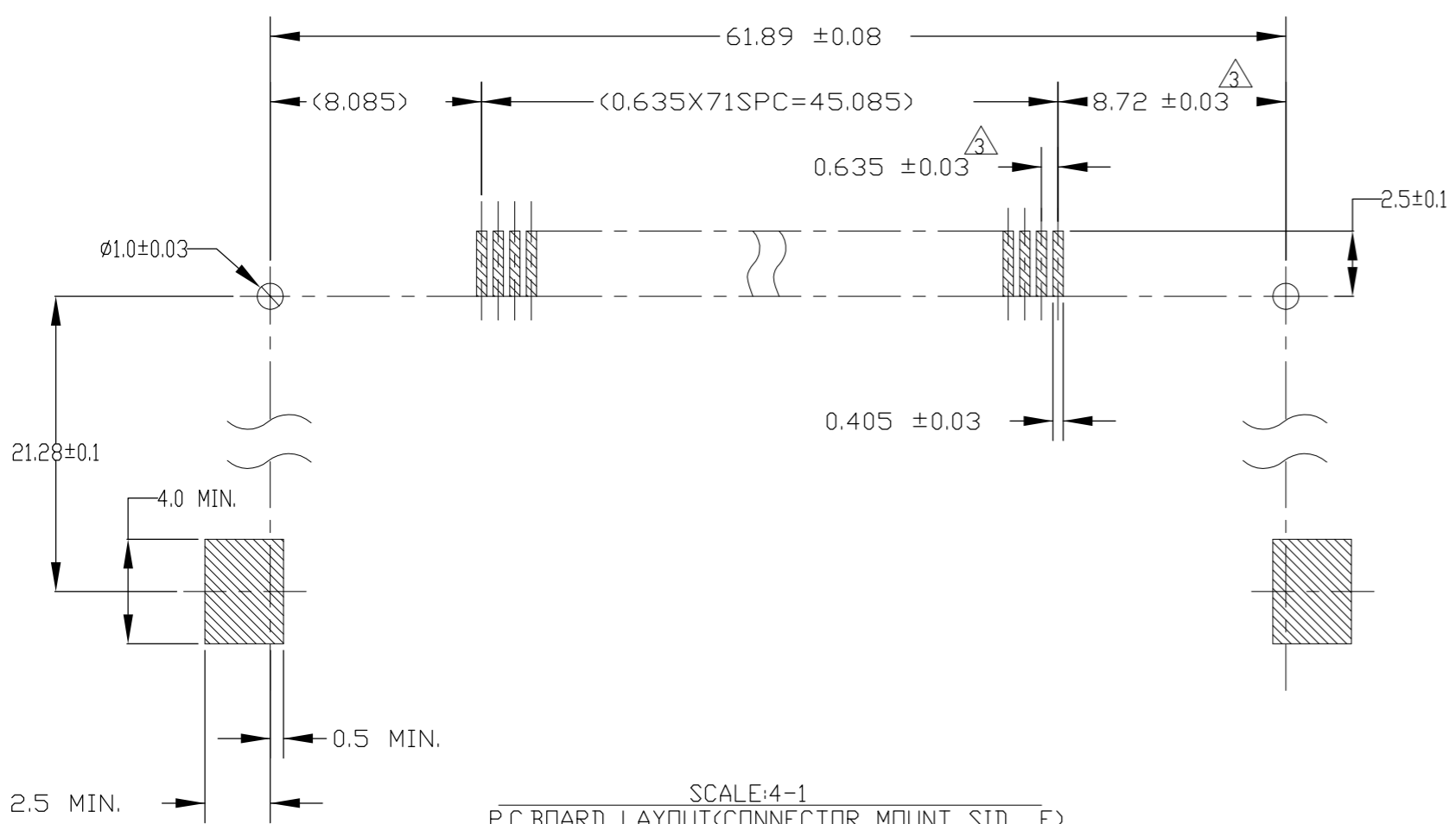
LOC		DIST		REVISIONS			
P	LTR	DESCRIPTION	DATE	DWN	APVD		
P		REVISED PER ECO-11-005033	31MAR11	RK	HMR		



NOTES
 1. MATERIAL & FINISH
 HOUSING : GLASS FILLED LCP
 CONTACT : COPPER ALLOY
 FINISH : SEE NOTES
 LATCH : STAINLESS STEEL, TIN PL.
 CONTACT PLATING (Au PL TYPE)
 Au(0.0003)PLAT CONTACT, TIN PLAT
 TINE OVER Ni PL.
 TOLERANCE : NON CUMULATIVE.



SECT. "A" - "A"
 (SCALE: 8-1)



SCALE: 4-1
 P.C. BOARD LAYOUT (CONNECTOR MOUNT SIDE)

(GENERAL TOLERANCE)	(INSULATION DIA.)
0-10 : ±0.2	mmØ
10-30 : ±0.25	(WIRE RANGE)
30-100 : ±0.3	mm² (AWG -)
ANGLE : ±3°	

THIS DRAWING IS A CONTROLLED DOCUMENT.		DWN	LEO ZHOU	17/MAY/05
DIMENSIONS: mm		CHK	STEVEN YAO	17/MAY/05
TOLERANCES UNLESS OTHERWISE SPECIFIED:		APVD	LENOMOTO	17/MAY/05
0 PLC	± -	NAME		
1 PLC	± -	MIII SOCKET HIGH PRO.		
2 PLC	± -	SIZE	A2	CAGE CODE
3 PLC	± -	DRAWING NO	00779	SCALE
4 PLC	± -	WEIGHT	-	SHEET
ANGLES	± -	CUSTOMER DRAWING	2:1	1 of 2
FINISH	SEE NOTES	RESTRICTED TO	-	REV
MATERIAL	SEE NOTES	REV	P	

6.15	△	Au	5179601-3
2.98	△	Au	5179601-1
A		PLATING (CONTACT POINT)	PART No.



SIZE	A2	CAGE CODE	00779	DRAWING NO	C=5179601	RESTRICTED TO	-
SCALE	2:1	SHEET	1 of 2	REV	P		

