



Chipsmall Limited consists of a professional team with an average of over 10 year of expertise in the distribution of electronic components. Based in Hongkong, we have already established firm and mutual-benefit business relationships with customers from,Europe,America and south Asia,supplying obsolete and hard-to-find components to meet their specific needs.

With the principle of “Quality Parts,Customers Priority,Honest Operation,and Considerate Service”,our business mainly focus on the distribution of electronic components. Line cards we deal with include Microchip,ALPS,ROHM,Xilinx,Pulse,ON,Everlight and Freescale. Main products comprise IC,Modules,Potentiometer,IC Socket,Relay,Connector.Our parts cover such applications as commercial,industrial, and automotives areas.

We are looking forward to setting up business relationship with you and hope to provide you with the best service and solution. Let us make a better world for our industry!



Contact us

Tel: +86-755-8981 8866 Fax: +86-755-8427 6832

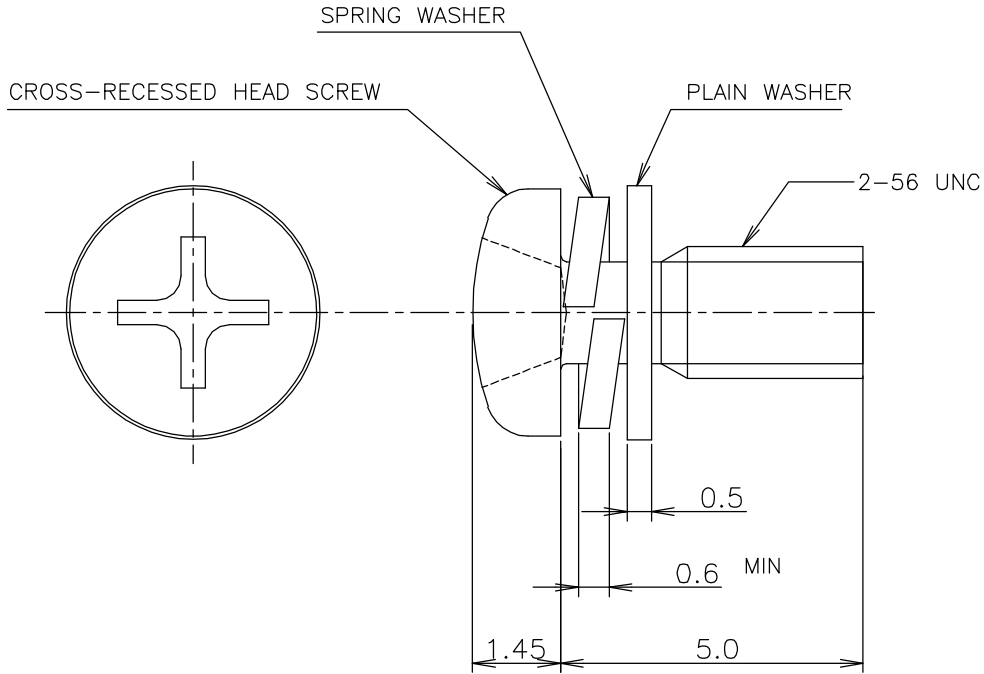
Email & Skype: info@chipsmall.com Web: www.chipsmall.com

Address: A1208, Overseas Decoration Building, #122 Zhenhua RD., Futian, Shenzhen, China



LOC J	DIST —	REVISIONS					
		P	LTR	DESCRIPTION	DATE	DWN	APVD
			B	REVISED ECR-06-014898	20JUN06	L.Z	S.Y

-1; AS SHOWN



- 1 ALL DIMENSIONS ARE REF.
- 2 MATERIAL .
CROSS-RECESSED HEAD SCREW; STEEL.
SPRING WASHER; STEEL.
PLAIN WASHER; STEEL.
- 3 THIS P/N CONTAINS 2 EACH OF CROSS-RECESSED HEAD SCREW WITH
SPRING WASHER AND PLAIN WASHER.
- 4 FINISH: JIS H8617 CuNi CLASS 2.

RELEASED FOR PUBLICATION JUL , 1994.

ALL RIGHTS RESERVED.

COPYRIGHT 1994 BY TYCO ELECTRONICS CORPORATION.

THIS DRAWING IS UNPUBLISHED.

DIMENSIONS: mm	DWN LEO ZHOU 5APR05	MATERIAL	FINISH	
	CHK T.KAWAMAE 5APR05			
TOLERANCES UNLESS OTHERWISE SPECIFIED:	APVD I.ENOMOTO 5APR05			
	PRODUCT SPEC	tyco Tyco Electronics AMP K.K. Electronics Kawasaki, Japan		
0 PLC ±	APPLICATION SPEC	NAME		
1 PLC ±	WEIGHT	2-56UNC SCREW KIT .050AMPLIMITE		
2 PLC ±		SIZE	CAGE CODE	DRAWING NO
3 PLC ±		A4	00779	C-5179632
4 PLC ±		RESTRICTED TO		
ANGLES ±	CUSTOMER DRAWING			SCALE NTS SHEET 1 OF 1 REV B