



Chipsmall Limited consists of a professional team with an average of over 10 year of expertise in the distribution of electronic components. Based in Hongkong, we have already established firm and mutual-benefit business relationships with customers from,Europe,America and south Asia,supplying obsolete and hard-to-find components to meet their specific needs.

With the principle of "Quality Parts,Customers Priority,Honest Operation,and Considerate Service",our business mainly focus on the distribution of electronic components. Line cards we deal with include Microchip,ALPS,ROHM,Xilinx,Pulse,ON,Everlight and Freescale. Main products comprise IC,Modules,Potentiometer,IC Socket,Relay,Connector.Our parts cover such applications as commercial,industrial, and automotives areas.

We are looking forward to setting up business relationship with you and hope to provide you with the best service and solution. Let us make a better world for our industry!



Contact us

Tel: +86-755-8981 8866 Fax: +86-755-8427 6832

Email & Skype: info@chipsmall.com Web: www.chipsmall.com

Address: A1208, Overseas Decoration Building, #122 Zhenhua RD., Futian, Shenzhen, China

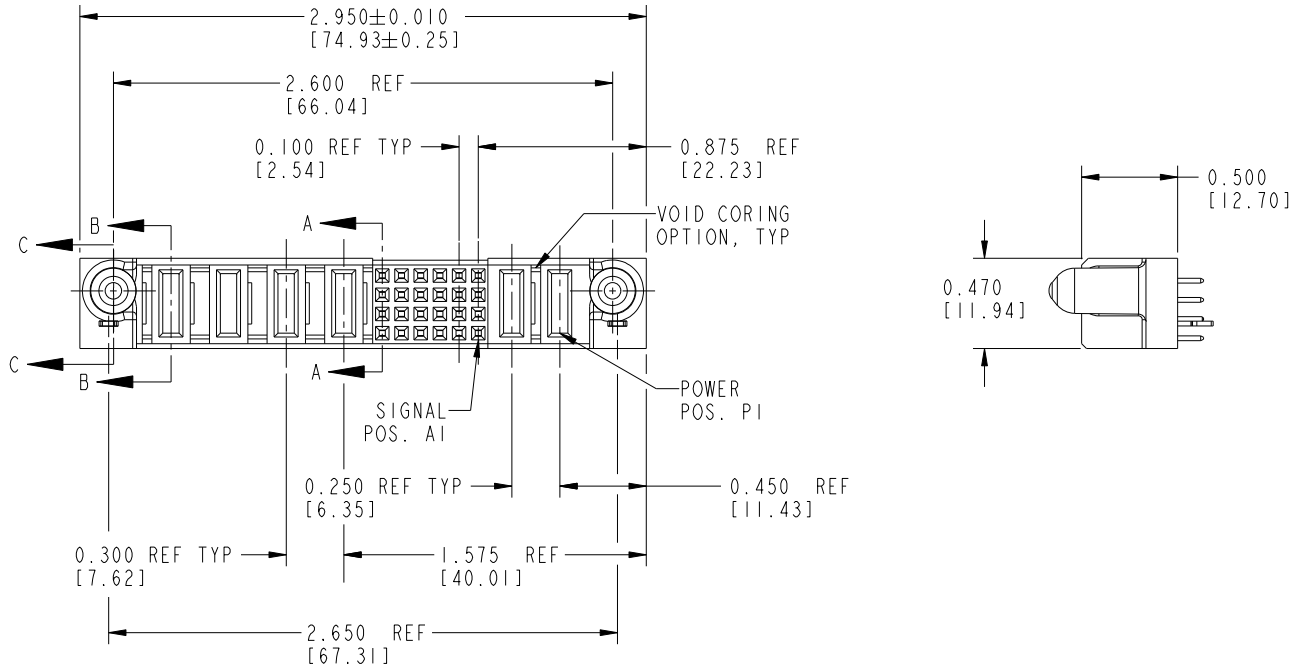


Tous droits strictement réservés. Reproduction ou communication a des tiers interdite sous quelque forme que ce soit sans autorisation écrite du propriétaire. Propriété de c FCI. Droits de reproduction FCI.

All rights strictly reserved. Reproduction or issue to third parties in any form whatever is not permitted without written authority from the proprietor. Property of FCI. Copyright FCI.



PRODUCT No.	ROWS	POWER				SIGNAL					POWER		E1	
		E2	P6	P5	P4	P3	6	5	4	3	2	1		P2
51863-001-- NOTE: 2	D C B A		PA	PA	PA	PA	EEEEEE	EEEEEE	EEEEEE	EEEEEE	EEEEEE	PA	PA	



CONFIDENTIAL

CODE	CONTACT TYPE
E	SIGNAL
PA	POWER
HA	HOLD-DOWN

mat'l code				NOTE 1		tolerances unless otherwise specified		CUSTOMER		FCI www.fciconnect.com	
lfr	ecn no.	dr	date	linear	.XX±.01/0.X±0.3	COPY		projection		title	
A	V11143	CGD	12/09/05	angles	.XXX±.005/0.XX±0.13	A				2P + 24S + 4ACP	
B	DG05-0530	GuoJM	12/09/05		.XXX±.002/0.XXX±.051	INCH/MM		vertical		VERTICAL SOLDER TAIL RECEPTACLE	
C	DG08-0251	W D	09/16/08		0°±2°	scale		product family		code	
				dr	C. DAILY	1:1		PwrBlade		213	
				enrg	J. ALLISON			size		sheet	
				chr	J. ALLISON			dwg no		1 of 3	
				appd	J. ALLISON			A		51863-001	
sheet index	revision sheet	C	C	C							
		1	2	3							

Pro/E

PDM: Rev:C

STATUS: **Released**

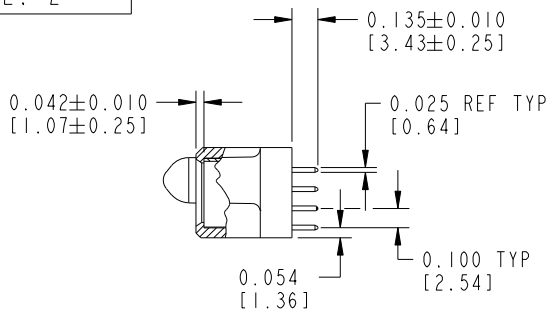
Printed: Dec 20, 2010

Tous droits strictement réservés. Reproduction ou communication a des tiers interdite sous quelque forme que ce soit sans autorisation écrite du propriétaire. Propriété de c FCI. Droits de reproduction FCI.

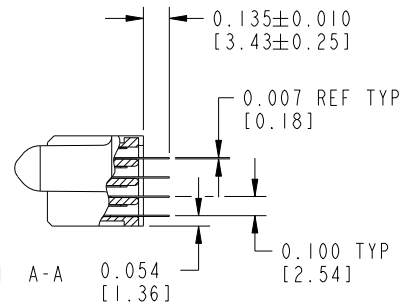
All rights strictly reserved. Reproduction or issue to third parties in any form whatever is not permitted without written authority from the proprietor. Property of FCI. Copyright FCI.



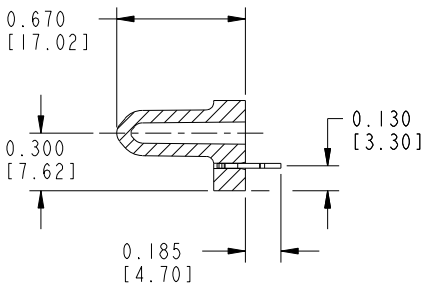
PRODUCT NUMBER
51863-001__
NOTE: 2



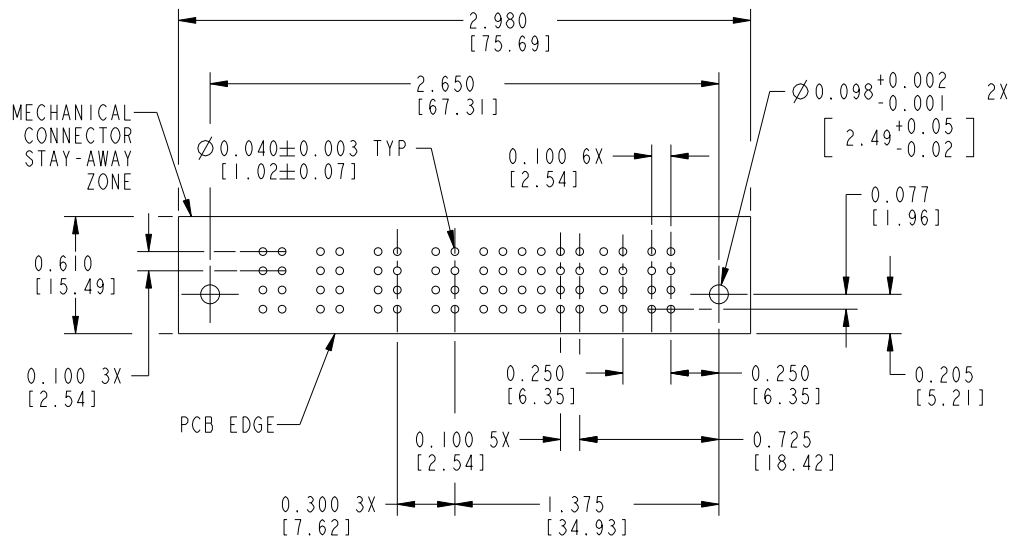
SECTION B-B



SECTION A-A



SECTION C-C



RECOMMENDED PCB LAYOUT

mat'l code		NOTE 1		tolerances unless otherwise specified		CUSTOMER		FCI	
ltr	ecn no.	dr	date	linear	.xx±.01/0.X±0.3	COPY		www.fciconnect.com	
c				projection	.xxx±.005/0.XX±0.13	projection		title	
				angles	.xxx±.0020/.xxx±.051	INCH/MM		2P + 24S + 4ACP VERTICAL SOLDER TAIL RECEPTACLE	
				dr	0°±2°	scale		product family	
				engr	C. DAILY 12/09/05	1:1		PwrBlade	
				chr	J. ALLISON 03/30/01			code	
				appd	J. ALLISON 03/30/01			213	
sheet index		revision sheet						sheet	
								2	



1 | 2

3 |

4

PRODUCT NUMBER
51863-001__
NOTE: 2

CONNECTOR NOTES:

- 1. HOUSING MATERIAL: UL 94 V-0 GLASS FILLED HIGH-TEMP THERMOPLASTIC
POWER CONTACT MATERIAL: COPPER ALLOY
SIGNAL PIN MATERIAL: COPPER ALLOY

△ 2. SEE ITEM 5 & 6 IN PRINT 10064183 FOR PLATING SPEC OF 51863-001 AND 51863-001LF RESPECTIVELY.

PCB NOTES:

- 3. ALL DIMENSIONS ARE BASIC UNLESS OTHERWISE SPECIFIED.
- 4. ALL THROUGH HOLES ARE LOCATED WITH A TRUE POSITION OF 0.004 [0.10]
- 5. ALL HOLE DIAMETERS ARE FINISHED HOLE SIZE
- 6. Ø0.098 [2.49] THROUGH HOLES ARE UNPLATED
- 7. Ø0.0453±0.0010 [1.151±0.025] DRILLED HOLES PLATED WITH 0.0003 [0.008] MIN SnPb OVER 0.001 [0.03] TO 0.003 [0.08] Cu PLATING TO ACHIEVE A Ø0.040±0.003 [1.02±0.07] HOLE.
- 8. A △ SYMBOL WILL BE NEXT TO ANY DIMENSION, VIEW, OR NOTE WHICH HAS BEEN MODIFIED WITH THE CURRENT DRAWING REVISION.

CONFIDENTIAL

mat'l code		NOTE 1		tolerances unless otherwise specified		CUSTOMER		FCI		www.fciconnect.com	
lfr	ecn no.	dr	date	linear	.XX±.01/0.X±0.3	COPY		projection		title	
C					.XXX±.005/0.XX±0.13	INCH/MM				2P + 24S + 4ACP VERTICAL SOLDERTAIL RECEPTACLE	
				angles	.XXX±.0020/.XXX±.051	scale		product family		code	
					0°±2°	1:1		PwrBlade		213	
				dr	C. DAILY 12/09/05			size		sheet	
				engr	J. ALLISON 03/30/01			A		3	
				chr	J. ALLISON 03/30/01			51863-001			
				appd	J. ALLISON 03/30/01						
sheet index	revision sheet										

1 | 2

Pro/E

PDM: Rev: C

STATUS: **Released**

Printed: Dec 20, 2010

A

A

B

B