



Chipsmall Limited consists of a professional team with an average of over 10 year of expertise in the distribution of electronic components. Based in Hongkong, we have already established firm and mutual-benefit business relationships with customers from,Europe,America and south Asia,supplying obsolete and hard-to-find components to meet their specific needs.

With the principle of “Quality Parts,Customers Priority,Honest Operation,and Considerate Service”,our business mainly focus on the distribution of electronic components. Line cards we deal with include Microchip,ALPS,ROHM,Xilinx,Pulse,ON,Everlight and Freescale. Main products comprise IC,Modules,Potentiometer,IC Socket,Relay,Connector.Our parts cover such applications as commercial,industrial, and automotives areas.

We are looking forward to setting up business relationship with you and hope to provide you with the best service and solution. Let us make a better world for our industry!



Contact us

Tel: +86-755-8981 8866 Fax: +86-755-8427 6832

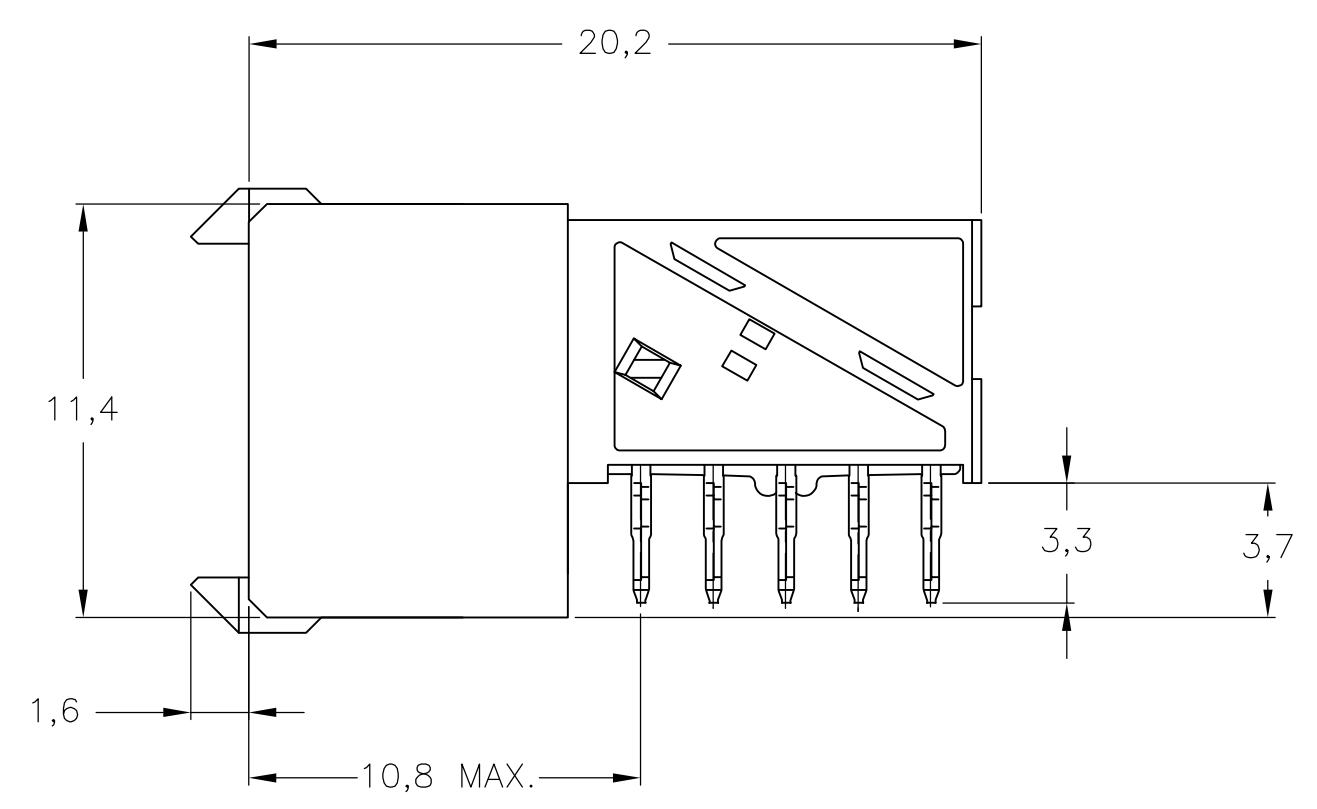
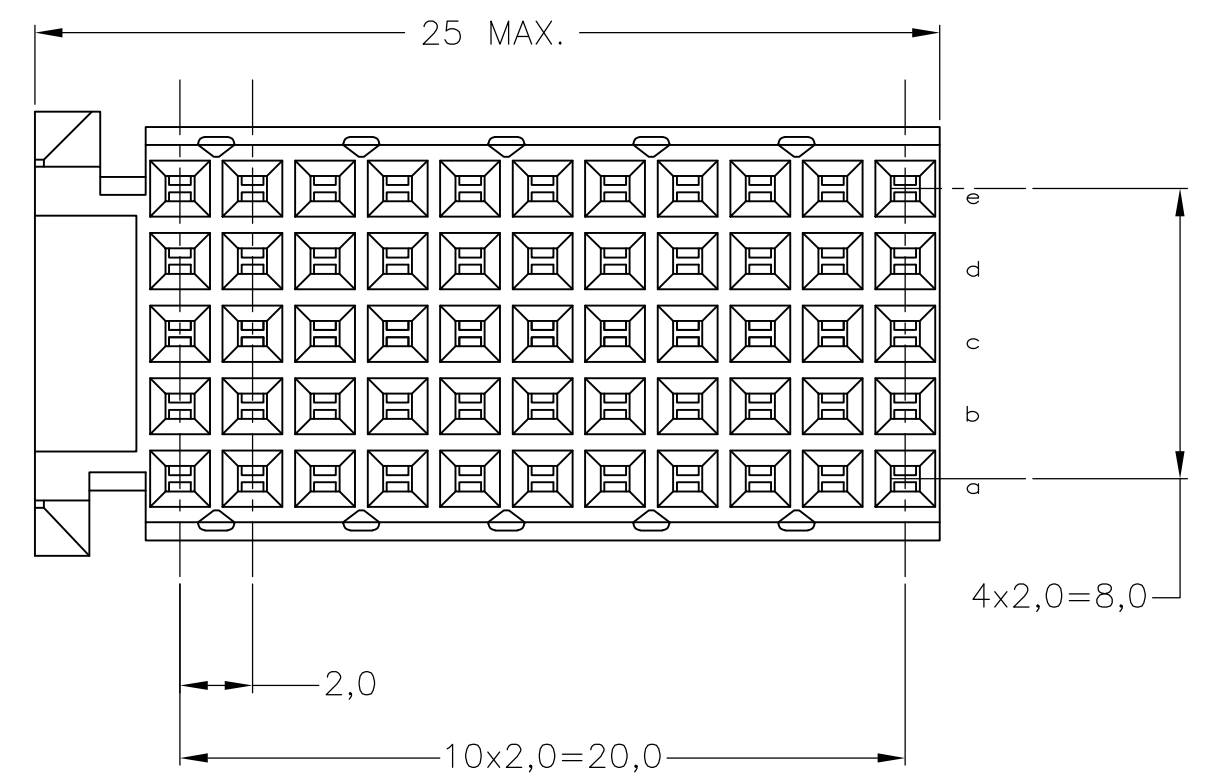
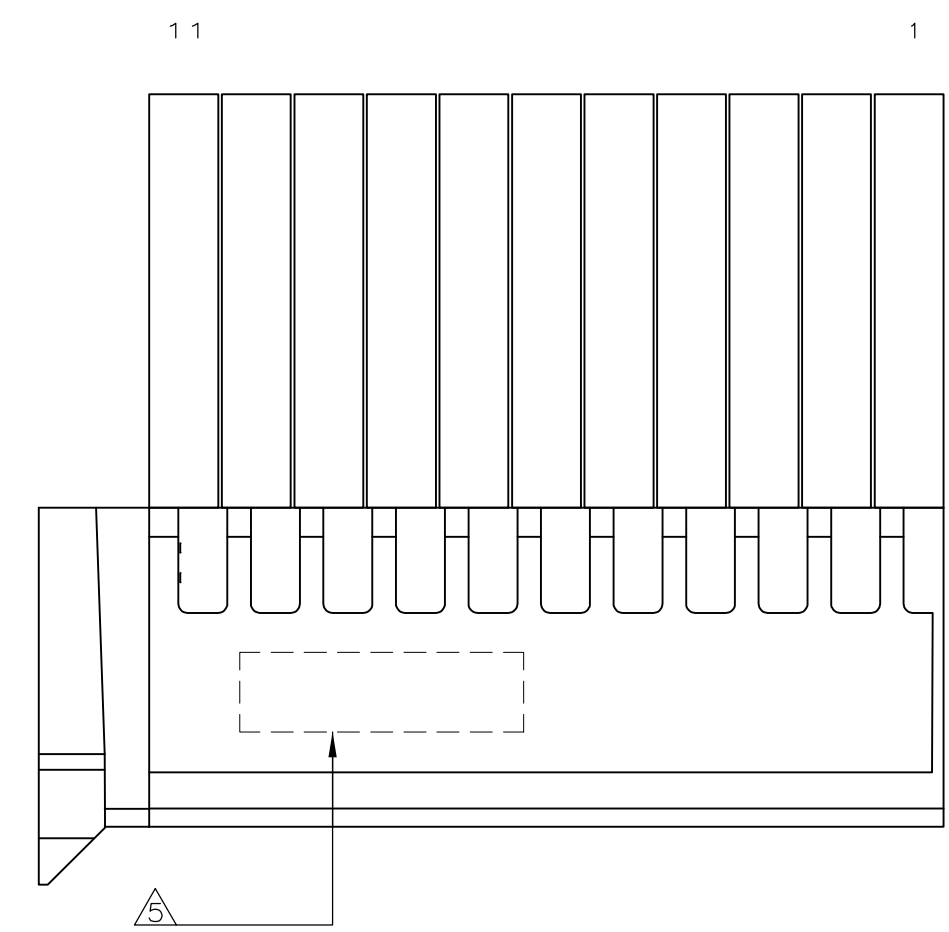
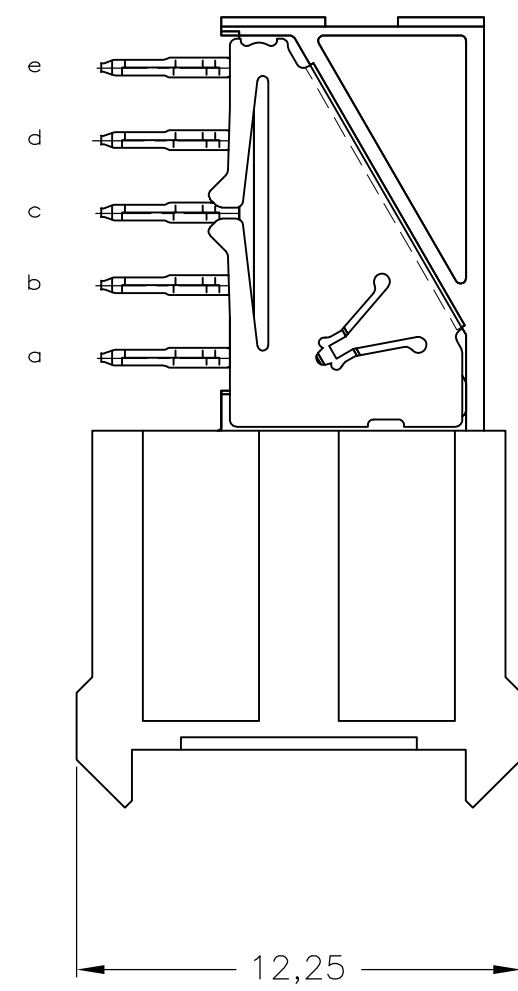
Email & Skype: info@chipsmall.com Web: www.chipsmall.com

Address: A1208, Overseas Decoration Building, #122 Zhenhua RD., Futian, Shenzhen, China

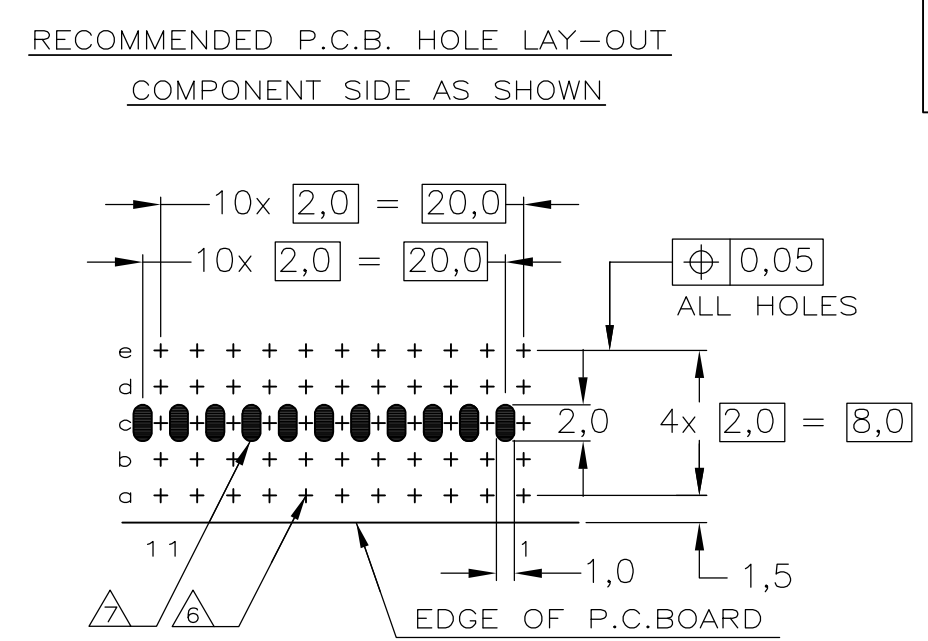


THIS DRAWING IS UNPUBLISHED. RELEASED FOR PUBLICATION
 © COPYRIGHT BY TYCO ELECTRONICS CORPORATION. ALL RIGHTS RESERVED.

LOC	DIST	REVISIONS					
H	-	P	LTR	DESCRIPTION	DATE	DWN	APVD
		C		ECR-06-026577	14-11-06	BSV	BM
		C1		REVISED PER ECO-09-024927	10NOV09	KK	AEG
		D		ECR-10-018652	10SEP10	SW	MQW



- NOTES:**
- ⚠ CONTACT; PHOSPHORBRONZE
REDUCED CROSS-TALK SHIELD: PHOSPHORBRONZE
HOUSING; GLASSFILLED POLYESTER (GRAY)
 - ⚠ GENERAL CONTACT PLATING SPECIFICATION: UNDERPLATING
(ENTIRE CONTACT): 1,27µm NICKEL MIN. AND
ACTION PIN: 0,5µm TIN MIN.
FOR PLATING OF MATING SURFACES SEE APPLICABLE SPECIFICATION
REFERENCE FOR EACH DASH NUMBER.
REDUCED CROSS-TALK SHIELD PLATING: GOLD FLASH OVER 1,27 µm NICKEL MIN.
 - ⚠ CONFORMS TO ALL TESTING ACCORDING IEC 61076-4-101
PERFORMANCE LEVEL 2.
 - ⚠ CONFORMS TO ALL TESTING ACCORDING IEC 61076-4-101
PERFORMANCE LEVEL 1.
 - ⚠ CONNECTOR PRINTED WITH PARTNUMBER AND DATECODE
(OTHER MARKING OPTIONAL)
THE MARKING CAN APPEAR ON THE FRONT SIDE OR THE BACK SIDE.
 - ⚠ PLATED-THROUGH HOLES AT 2x2mm SQUARE GRID
TOTAL 55 HOLES.
 - ⚠ PLATED SPOT ONLY ON COMPONENT SIDE, FORMING ONE CONTACT
WITH PLATED THROUGH HOLES OF ROW C.
 - ⚠ OBSOLETE PARTS: OBSOLETE CIS STREAMLINING PER
D.RENAUD/D.SINISI



P.C.B. HOLE DIM. ACTION PIN
FOR DETAILS SEE
APPLICATION SPECIFICATION

SCALE 2,5:1

⚠ 2 4	⚠ 1	⚠ 8	-5188224-4
⚠ 2 3	⚠ 1		5188224-1
FINISH		PARTNUMBER	

THIS DRAWING IS A CONTROLLED DOCUMENT.

DIMENSIONS: mm	TOLERANCES UNLESS OTHERWISE SPECIFIED: ±0.2	DWN K.N.KIRAN 13AUG2004	Tyco Electronics Corporation 's-Hertogenbosch,5222AR-32	
		CHK B.MOOIJ 22MAR2005	NAME	
		APVD B.MOOIJ 22MAR2005	Z-PACK 2mm HM TYPE C	
		PRODUCT SPEC 108-19082	55 POS. FEMALE DAUGHTER CARD CONN. WITH REDUCED CROSS-TALK SHIELD	
		APPLICATION SPEC 114-19029	SIZE A2	RESTRICTED TO
MATERIAL -	FINISH -	WEIGHT -	CAGE CODE 00779	DRAWING NO. C=5188224
CUSTOMER DRAWING		SCALE 5:1	SHEET 1 OF 1	REV D