



Chipsmall Limited consists of a professional team with an average of over 10 year of expertise in the distribution of electronic components. Based in Hongkong, we have already established firm and mutual-benefit business relationships with customers from,Europe,America and south Asia,supplying obsolete and hard-to-find components to meet their specific needs.

With the principle of “Quality Parts,Customers Priority,Honest Operation,and Considerate Service”,our business mainly focus on the distribution of electronic components. Line cards we deal with include Microchip,ALPS,ROHM,Xilinx,Pulse,ON,Everlight and Freescale. Main products comprise IC,Modules,Potentiometer,IC Socket,Relay,Connector.Our parts cover such applications as commercial,industrial, and automotives areas.

We are looking forward to setting up business relationship with you and hope to provide you with the best service and solution. Let us make a better world for our industry!



Contact us

Tel: +86-755-8981 8866 Fax: +86-755-8427 6832

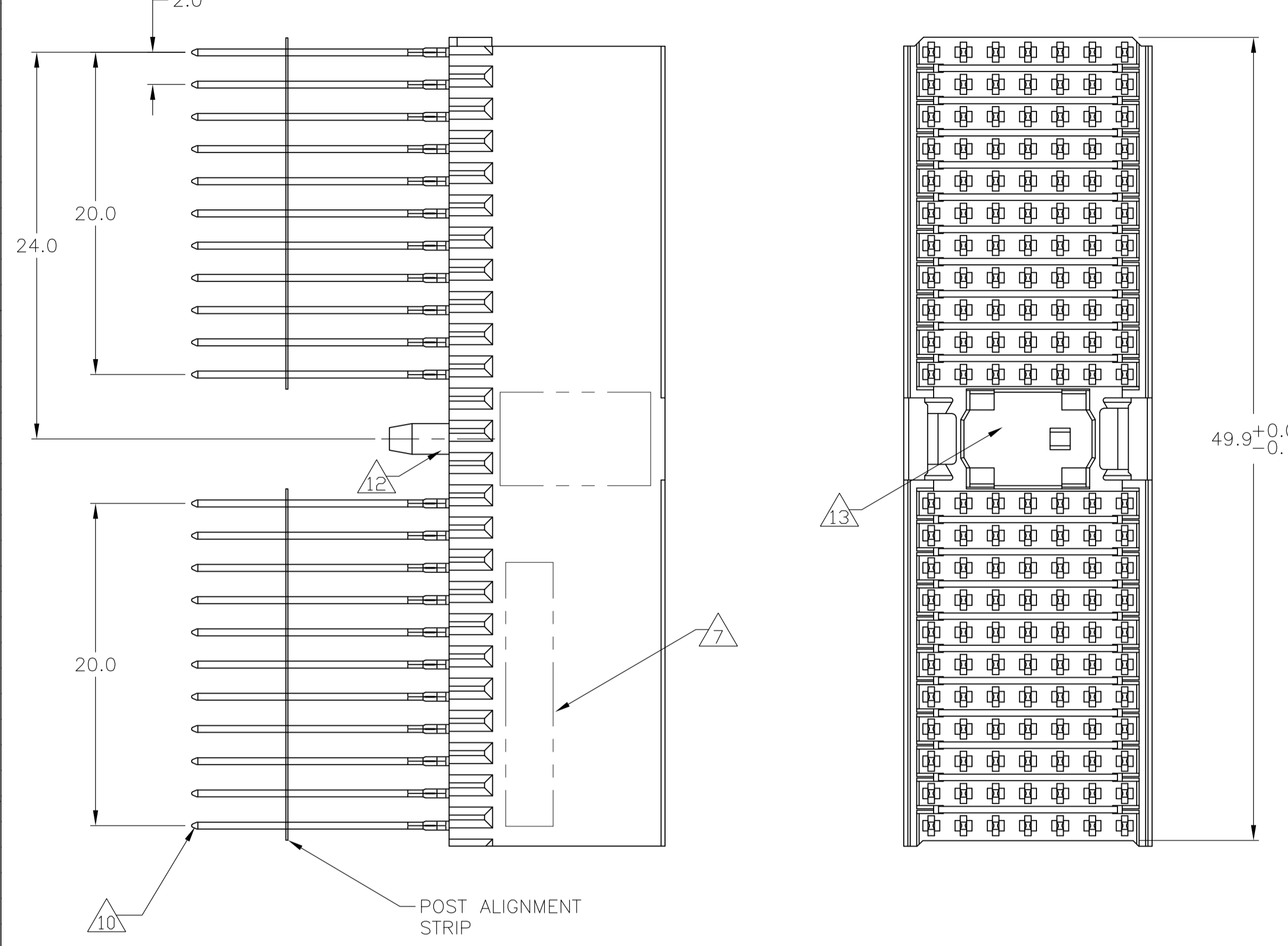
Email & Skype: info@chipsmall.com Web: www.chipsmall.com

Address: A1208, Overseas Decoration Building, #122 Zhenhua RD., Futian, Shenzhen, China

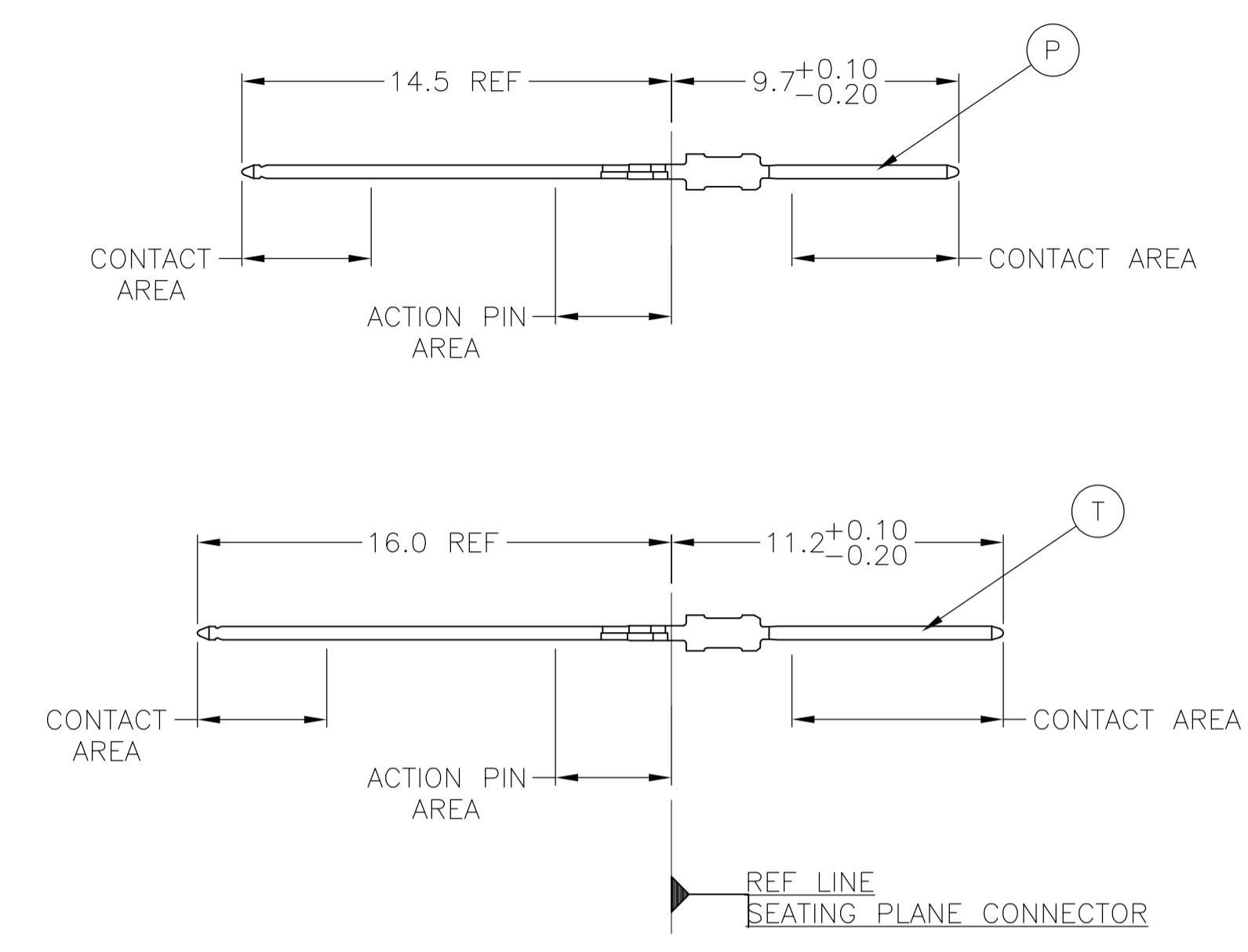


LOC		DIST		REVISIONS			
P	LTR	DESCRIPTION	DATE	DMN	APVD		
A		REV PER EC 0512-0306-05	24MAY06	BC	GS		
A1		REVISED PER ECO-10-000444	16JAN10	KK	AEQ		
B		ECR-10-019054	15SEP10	DP	MQW		

CONNECTOR ASSEMBLY EXAMPLARY LOADED

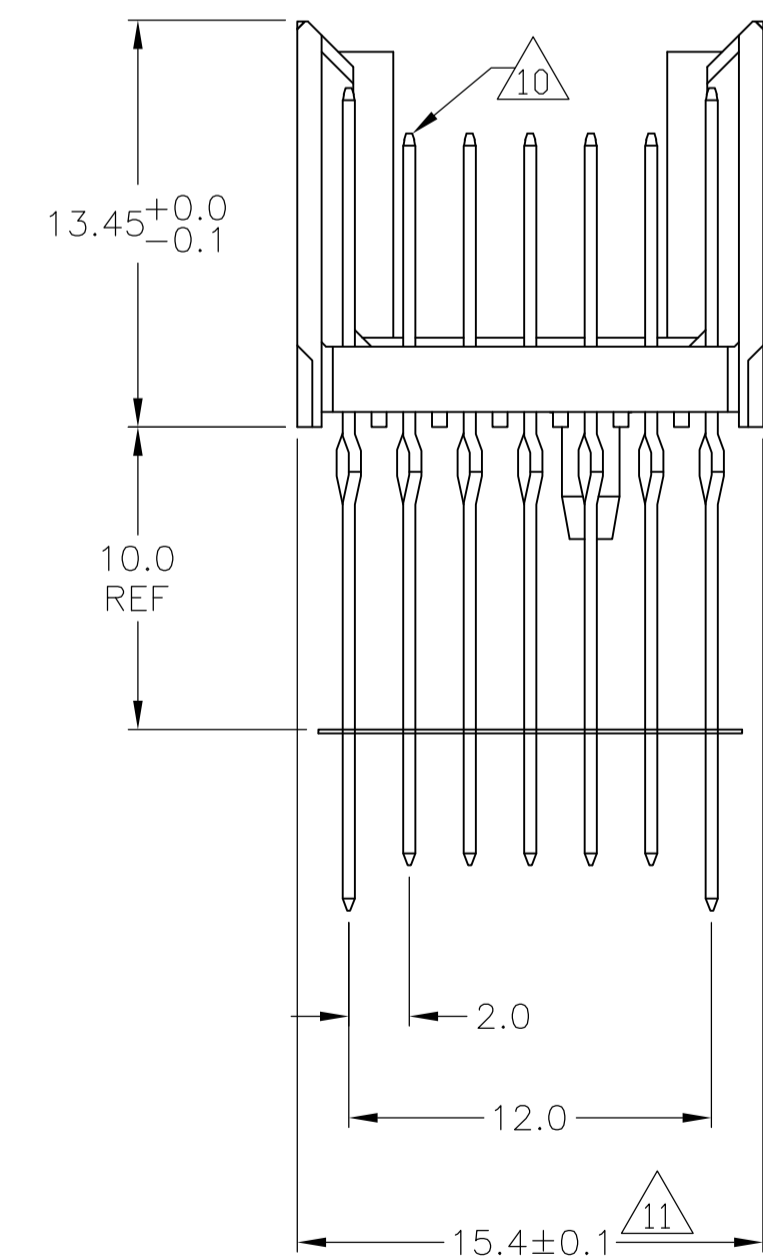


CONTACT DIMENSIONS SCALE 5:1



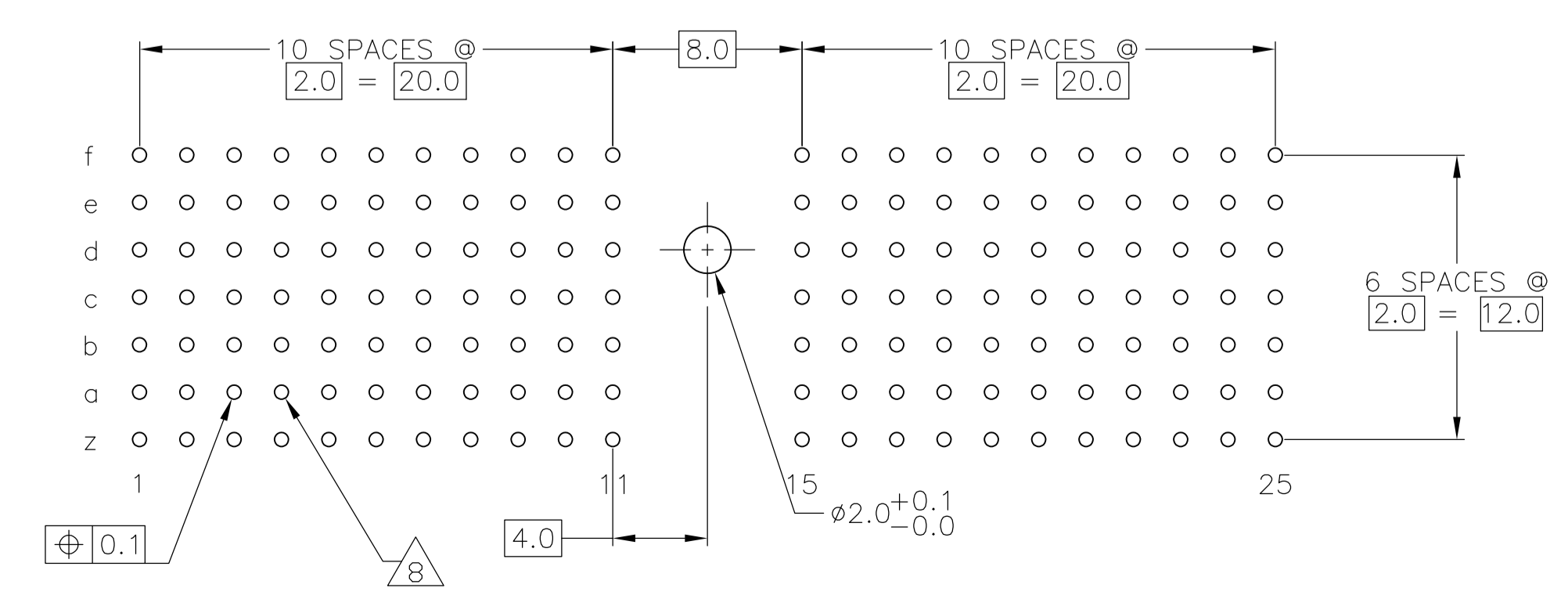
CONTACT LAYOUT

	z	a	b	c	d	e	f
1	T	P	P	P	P	P	T
2	T	P	P	P	P	P	T
3	T	P	P	P	P	P	T
4	T	P	P	P	P	P	T
5	T	P	P	P	P	P	T
6	T	P	P	P	P	P	T
7	T	P	P	P	P	P	T
8	T	P	P	P	P	P	T
9	T	P	P	P	P	P	T
10	T	P	P	P	P	P	T
11	T	P	P	P	P	P	T
MULTI PURPOSE CENTER							
15	T	P	P	P	P	P	T
16	T	P	P	P	P	P	T
17	T	P	P	P	P	P	T
18	T	P	P	P	P	P	T
19	T	P	P	P	P	P	T
20	T	P	P	P	P	P	T
21	T	P	P	P	P	P	T
22	T	P	P	P	P	P	T
23	T	P	P	P	P	P	T
24	T	P	P	P	P	P	T
25	T	P	P	P	P	P	T



RECOMMENDED PCB-HOLE LAYOUT COMPONENT SIDE SHOWN

PLATED THRU HOLES PARAMETERS REFERENCE APPLICATION SPECIFICATION




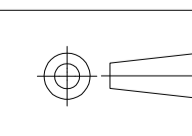
2	6	14	1-5188578-9
2	5	14	-5188578-9-
2	4		5188578-4
2	3		5188578-1
FINISH			PART NUMBER

THIS DRAWING IS A CONTROLLED DOCUMENT.

DIMENSIONS: mm	TOLERANCES UNLESS OTHERWISE SPECIFIED:	DIN B CARBO 04MAY05	G.SKIPPER 04MAY05	Tyco Electronics Corporation Harrisburg, Pa 17105-3608
0-PLC ±	1-PLC ±0.1	APVD G.SKIPPER 04MAY05	NAME	MALE ASSEMBLY, Z-PACK 2mm HM, TYPE A
2-PLC ±	3-PLC ±	PRODUCT SPEC	108-19082	RESTRICTED TO
4-PLC ±	ANGLES	APPLICATION SPEC	114-19029	SIZE CASE CODE DRAWING NO
1	SEE TABLE	WEIGHT	A1 00779	5188578
CUSTOMER DRAWING			SCALE 4:1	SHEET 1 OF 2 REV B

LOC	DIST	REVISIONS			
P	LTR	DESCRIPTION	DATE	DN	APVD
AD	00	SEE SHEET 1	-	-	-

- 1 MATERIAL:
CONTACT: PHOSPHOR BRONZE.
HOUSING: GLASS-FILLED POLYESTER.
- 2 GENERAL PLATING SPECIFICATION: UNDERPLATING
(ENTIRE CONTACT): 1.27µm MIN NICKEL AND ACTION
PIN: 0.5µm MIN TIN.
FOR PLATING OF MATING SURFACES SEE APPLICABLE
SPECIFICATION REFERENCE FOR EACH DASH NUMBER.
- 3 CONFORMS TO ALL TESTING ACCORDING TO IEC 61076-4-101
PERFORMANCE LEVEL 2.
- 4 CONFORMS TO ALL TESTING ACCORDING TO IEC 61076-4-101
PERFORMANCE LEVEL 1.
- 5 CONNECTOR TESTED AND QUALIFIED AGAINST TELCORDIA GR-1217-CORE QUALITY LEVEL 3,
CENTRAL OFFICE APPLICATIONS.
- 6 CONNECTOR TESTED AND QUALIFIED AGAINST TELCORDIA GR-1217-CORE QUALITY LEVEL 3,
UNCONTROLLED ENVIROMENT APPLICATIONS.
- 7 CONNECTOR MARKED WITH PART NUMBER AND DATE CODE.
ADDITIONAL CHARACTERS OR MARKINGS, AS WELL AS THE LOCATION OF THE MARKINGS,
MAY BE ADDED FOR TRACEABILITY BASED UPON MANUFACTURERS DISCRETION.
- 8 PLATED-THROUGH HOLES AT 2x2mm SQUARE GRID
PATTERN DEFINED BY CONTACT LAYOUT.
- 9 FOR ACTUAL PIN LOADING SEE "CONTACT LAYOUT".
- 10 FOR ACTUAL PIN DIMENSIONS SEE "CONTACT DIMENSIONS".
- 11 TO BE MEASURED AT BOTTOM OF SHROUD.
- 12 POLARIZATION FEATURE.
- 13 AREA RESERVED FOR KEYING PART (BASIC P/N 100525)
- 14 CONNECTOR LUBRICATED WITH BELCORE APPROVED LUBRICANT,
TECHNICAL REFERENCE: TR-NWT-001217 ISSUE 1, SEP 1992.
- 15 OBSOLETE PARTS: OBSOLETE CIS STREAMLINING PER D.RENAUD/D.SINISI

THIS DRAWING IS A CONTROLLED DOCUMENT.		DIN B CARBO GSKIPPER	D4MAY05	 Tyco Electronics Corporation Harrisburg, Pa 17105-3608	
DIMENSIONS: mm		TOLERANCES UNLESS OTHERWISE SPECIFIED: 0-PLC ± 1-PLC ±0.1 2-PLC ± 3-PLC ± 4-PLC ± ANGLES ±		NAME MALE ASSEMBLY, Z-PACK 2mm HM, TYPE A	
		PRODUCT SPEC 108-19082		APPLICATION SPEC 114-19029	
MATERIAL SEE SHEET 1	FINISH SEE SHEET 1	WEIGHT -	SIZE A1	CAGE CODE 00779	DRAWING NO 5188578
CUSTOMER DRAWING			SCALE 4:1	SHEET 2 OF 2	REV B