



Chipsmall Limited consists of a professional team with an average of over 10 year of expertise in the distribution of electronic components. Based in Hongkong, we have already established firm and mutual-benefit business relationships with customers from,Europe,America and south Asia,supplying obsolete and hard-to-find components to meet their specific needs.

With the principle of "Quality Parts,Customers Priority,Honest Operation,and Considerate Service",our business mainly focus on the distribution of electronic components. Line cards we deal with include Microchip,ALPS,ROHM,Xilinx,Pulse,ON,Everlight and Freescale. Main products comprise IC,Modules,Potentiometer,IC Socket,Relay,Connector.Our parts cover such applications as commercial,industrial, and automotives areas.

We are looking forward to setting up business relationship with you and hope to provide you with the best service and solution. Let us make a better world for our industry!



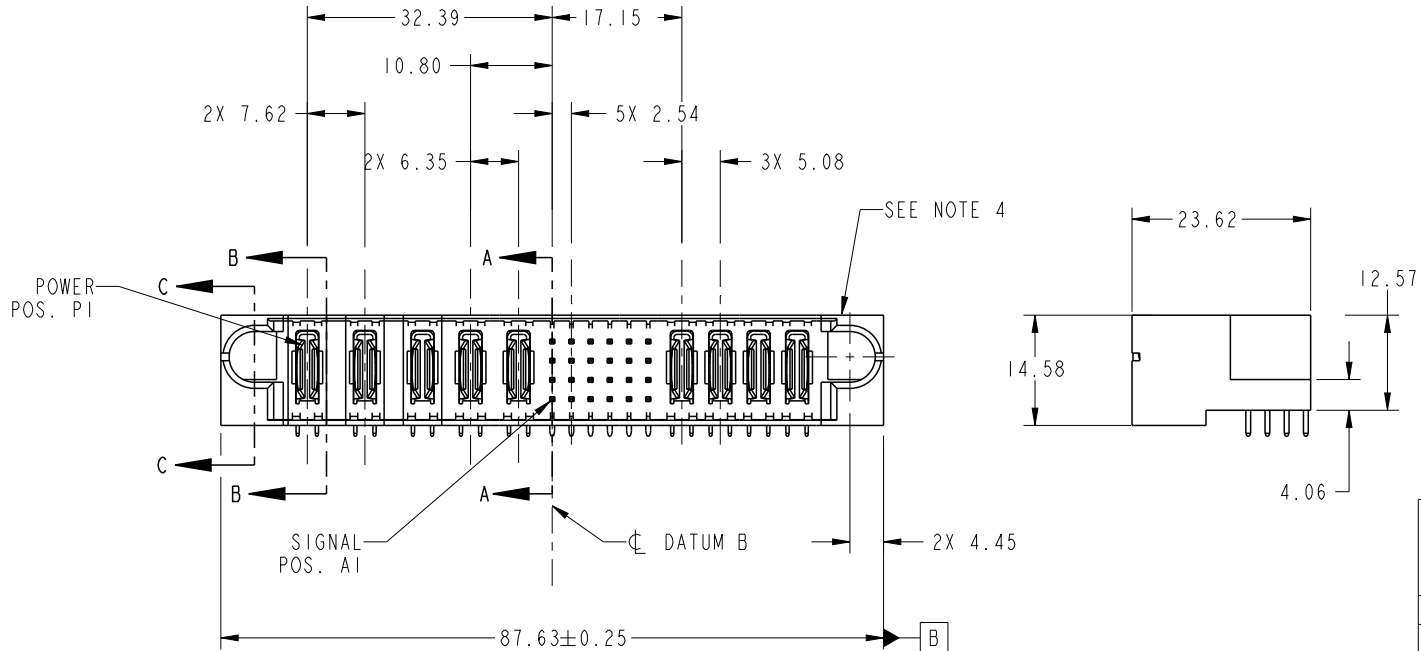
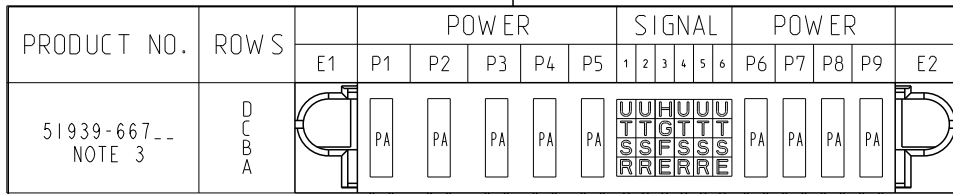
## Contact us

Tel: +86-755-8981 8866 Fax: +86-755-8427 6832

Email & Skype: info@chipsmall.com Web: www.chipsmall.com

Address: A1208, Overseas Decoration Building, #122 Zhenhua RD., Futian, Shenzhen, China



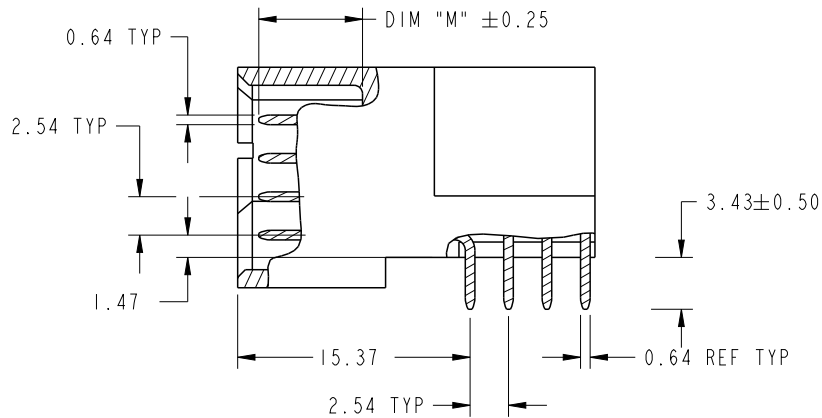


CODE	DIM "M" MATING LENGTH	CONTACT TYPE
U	[6.86]	SIGNAL
T	[6.86]	SIGNAL
S	[6.86]	SIGNAL
R	[6.86]	SIGNAL
H	[5.59]	SIGNAL
G	[5.59]	SIGNAL
F	[5.59]	SIGNAL
E	[5.59]	SIGNAL
PA	[N/A]	POWER

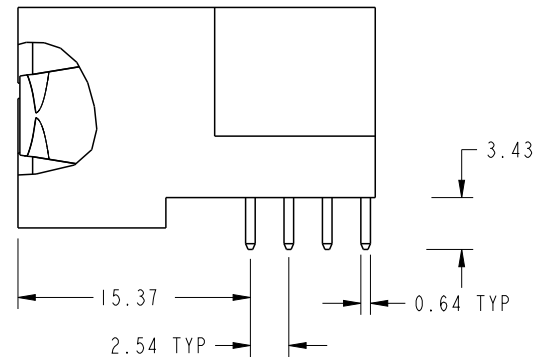
spec ref	*	dr	X Q Wang	2012/04/20	projection 	MM ←→	size	A4	scale	1:1	
tolerance std	TOLERANCES UNLESS OTHERWISE SPECIFIED	eng	Luo Weller	2013/03/26			product family	PwrBlade	rel level	Released	
see note		chr	-	-				ecn no	-		
surface ✓	linear	0.X	±0.5	 title 3ACP + 2P + 24S + 4P RIGHT ANGLE SOLDER HEADER cat. no. - Product - Customer Drw	dwg no 51939-667	rev A					
		0.XX	±0.25								
		0.XXX	±0.1								
	angular	0°	±2°	www.fci.com	sheet 1 of 4						

PRODUCT NUMBER

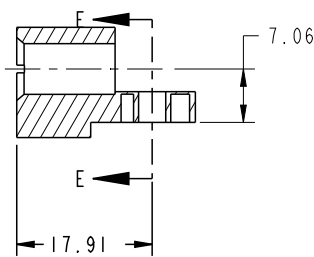
51939-667\_\_  
NOTE: 3



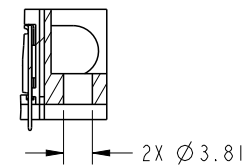
BROKEN-OUT SECTION A-A  
SCALE 2:1



BROKEN-OUT SECTION B-B  
SCALE 2:1



SECTION C-C



PARTIAL SECTION E-E

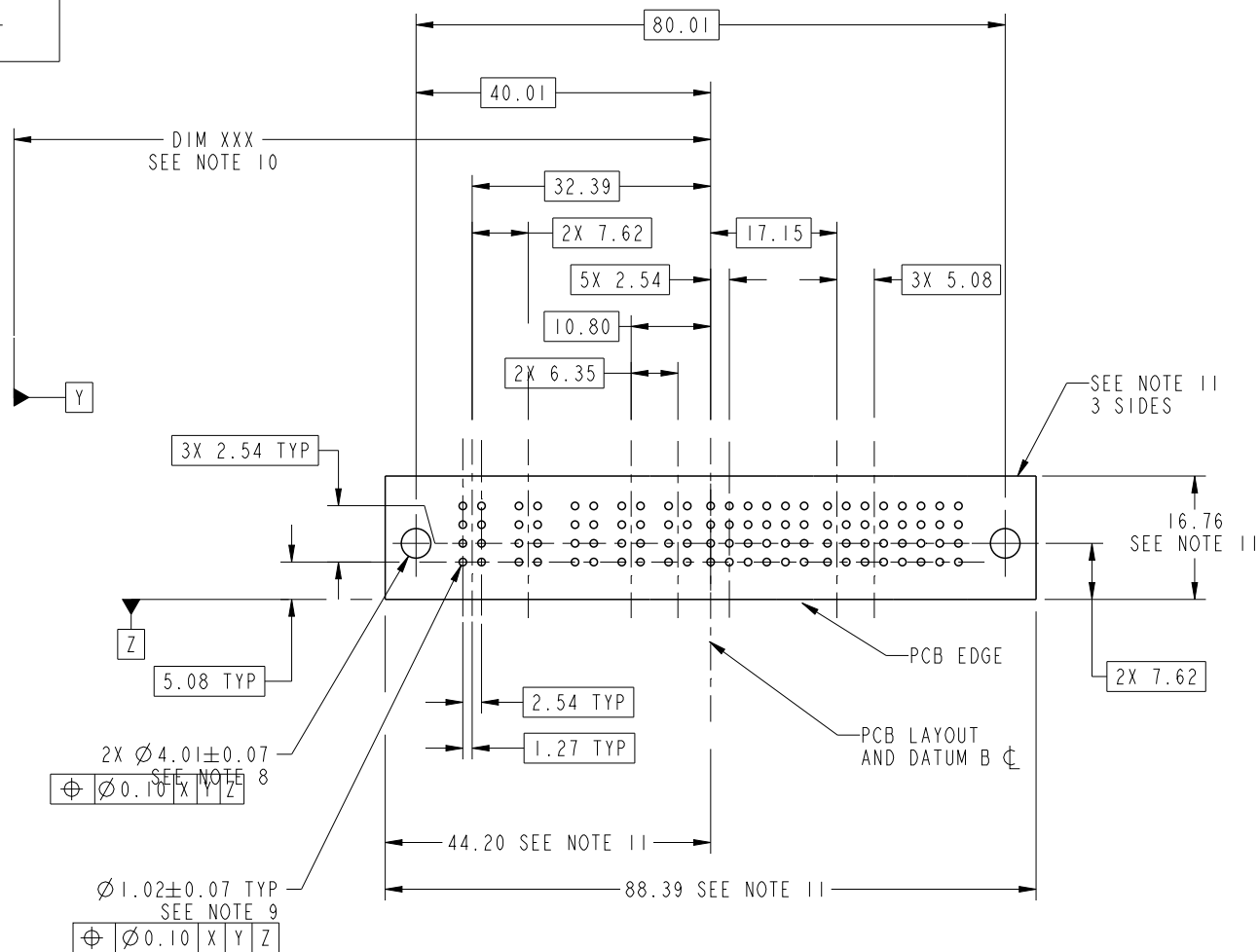
dr	X Q Wang	2012/04/20	projection 	MM ←→	size	A4	scale	1:1		
eng	Luo Weller	2013/03/26			ecn no	-				
chr	-	-			rel level	Released				
appr	Pei-Ming Zheng	2013/03/26	product family	PwrBlade	rev	A				
		title			3ACP + 2P + 24S + 4P		dwg no		51939-667	
www.fci.com		cat. no.			-		Product - Customer Drw		sheet 2 of 4	



Copyright FCI.

PRODUCT NUMBER

51939-667--  
NOTE: 3



RECOMMENDED PCB LAYOUT

dr	X Q Wang	2012/04/20	projection 	MM 	size	A4	scale	1:1			
eng	Luo Weller	2013/03/26			ecn no	-					
chr	-	-			rel level	Released					
appr	Pei-Ming Zheng	2013/03/26	product family	PwrBlade							
		title			3ACP + 2P + 24S + 4P		dwg no		51939-667	rev	A
www.fci.com		cat. no.			-		Product - Customer Drw		sheet 3 of 4		

PRODUCT NUMBER

51939-667--  
NOTE: 3

NOTES:

1. DIMENSIONS AND TOLERANCES ARE IN ACCORDANCE WITH ASME Y14.5M, 1994 UNLESS OTHERWISE SPECIFIED.

CONNECTOR NOTES:

- 2. HOUSING MATERIAL: UL 94 V-0 GLASS FILLED HIGH-TEMP THERMOPLASTIC  
POWER CONTACT MATERIAL: COPPER ALLOY  
SIGNAL PIN MATERIAL: COPPER ALLOY
- 3. SEE ITEM 1 & 2 IN PRINT 10064183 FOR PLATING SPEC OF 51939-667 AND 51939-667LF RESPECTIVELY.
- 4. MANUFACTURER'S NAME, DATE CODE AND OPTIONAL P/N TO APPEAR ON THIS SURFACE. THE P/N CAN BE OMITTED IF THERE IS NOT ENOUGH SPACE ON THIS SURFACE.
- 5. PRODUCT SPECIFICATION GS-12-149.  
APPLICATION SPECIFICATION BUS-20-067.
- 6. PACKAGED IN TRAYS.

PCB NOTES:

- 7. ALL HOLE DIAMETERS ARE FINISHED HOLE SIZE.
- 8. MOUNTING HOLES, WHERE APPLICABLE, ARE UNPLATED.
- 9.  $\varnothing 1.151 \pm 0.025$  DRILLED HOLES PLATED WITH  
0.008 MIN SnPb OR Sn OVER 0.03  
TO 0.08 Cu PLATING TO ACHIEVE  
 $\varnothing 1.02 \pm 0.07$  HOLE.
- 10. "DIM XXX" TO BE DETERMINED BY THE CUSTOMER.
- 11. CONNECTOR KEEP-OUT ZONE.

dr	X Q Wang	2012/04/20	projection 	MM 	size	A4	scale	1:1
eng	Luo Weller	2013/03/26			ecn no	-		
chr	-	-			rel level	Released		
appr	Pei-Ming Zheng	2013/03/26	product family	PwrBlade	rev	A		
	title	3ACP + 2P + 24S + 4P RIGHT ANGLE SOLDER HEADER		dwg no	51939-667			
www.fci.com	cat. no.	-	Product - Customer Drw		sheet 4 of 4			



Copyright FCI.