



Chipsmall Limited consists of a professional team with an average of over 10 year of expertise in the distribution of electronic components. Based in Hongkong, we have already established firm and mutual-benefit business relationships with customers from,Europe,America and south Asia,supplying obsolete and hard-to-find components to meet their specific needs.

With the principle of “Quality Parts,Customers Priority,Honest Operation,and Considerate Service”,our business mainly focus on the distribution of electronic components. Line cards we deal with include Microchip,ALPS,ROHM,Xilinx,Pulse,ON,Everlight and Freescale. Main products comprise IC,Modules,Potentiometer,IC Socket,Relay,Connector.Our parts cover such applications as commercial,industrial, and automotives areas.

We are looking forward to setting up business relationship with you and hope to provide you with the best service and solution. Let us make a better world for our industry!



## Contact us

Tel: +86-755-8981 8866 Fax: +86-755-8427 6832

Email & Skype: info@chipsmall.com Web: www.chipsmall.com

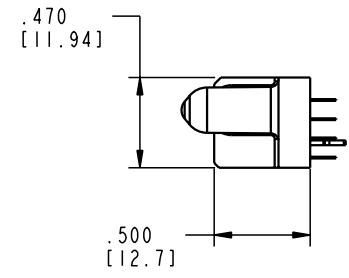
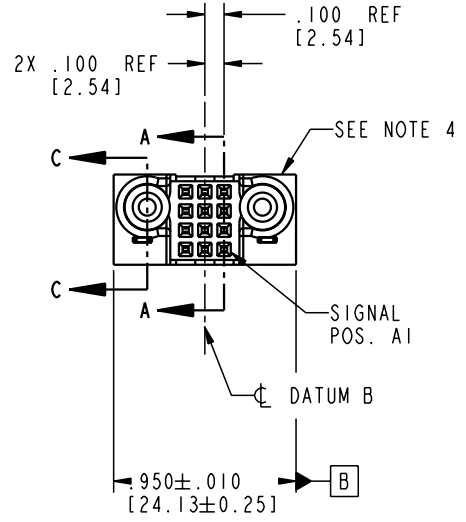
Address: A1208, Overseas Decoration Building, #122 Zhenhua RD., Futian, Shenzhen, China



Tous droits strictement réservés. Reproduction ou communication o des liers interdite sous quelque forme que ce soit sans autorisation écrite du propriétaire. Propriete de c FCI. Droits de reproduction FCI.

All rights strictly reserved. Reproduction or issue to third parties in any form whenever is not permitted without written authority from the proprietor. Property of FCI. Copyright FCI.

PRODUCT NO.	ROWS	SIG.			
		E2	3	2	1
51940-022	D C B A				



CODE	DIM "M" MATING LENGTH	CONTACT TYPE
F	N/A [N/A]	SIGNAL
HA	N/A [N/A]	HOLD-DOWN

mat'l code				SEE NOTE 2				tolerances unless otherwise specified				CUSTOMER							
ltr	ecn no.	dr	date	linear	.XX±.01/0.X±0.3				COPY										
A	V21641	TAB	10/14/02		.XXX±.005/0.XX±0.13				projection										
					.XXX±.0020/0.XXX±0.051				INCH/MM										
					° ± 2°				scale										
				dr	T. BRUNGARD	10/14/02	1:1				title								
				enr	M. MOSTOLLER	10/14/02	product family				PwrBlade								
				chr	M. MOSTOLLER	10/14/02	size				dwg no								
				appd	M. MOSTOLLER	10/14/02	A				51940-022								
sheet index	revision sheet	A	A	A	A														
		1	2	3	4														

Pro/E 3 cage code 22526 4

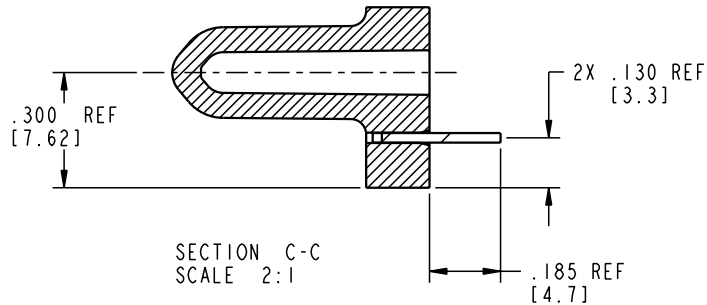
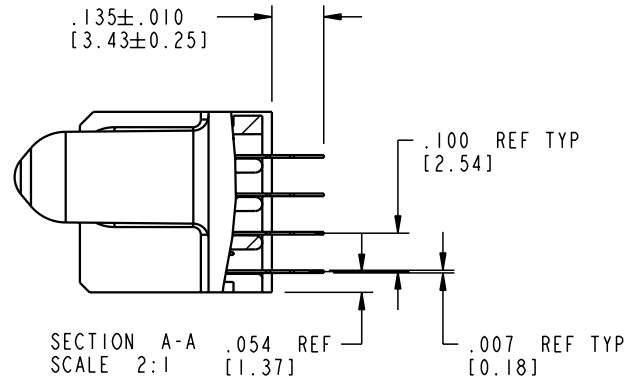
Tous droits strictement reserves. Reproduction ou communication a des tiers interdite sous quelque forme que ce soit sans autorisation écrite du propriétaire. Propriete de c FCI. Droits de reproduction FCI.


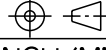
**A**  
**FCI**

All rights strictly reserved. Reproduction or issue to third parties in any form whatever is not permitted without written authority from the proprietor. Property of FCI. Copyright FCI.

**B**

PRODUCT NUMBER  
51940-022



mat'l code				SEE NOTE 2		tolerances unless otherwise specified		CUSTOMER		 <a href="http://www.fciconnect.com">www.fciconnect.com</a>	
ltr	ecm no.	dr	date	linear	.XX ± .01/0.X ± 0.3		COPY		title		
A					.XXX ± .005/0.XXX ± 0.13		projection		12S		
				angles	.XXXX ± .0020/0.XXX ± 0.051				VERTICAL PRESS-FIT RECEIPT		
				dr	T. BRUNGARD	10/14/02	INCH/MM		product family		code
				enr	M. MOSTOLLER	10/14/02	scale		PwrBlade		213
				chr	M. MOSTOLLER	10/14/02	1:1		size		sheet
				appd	M. MOSTOLLER	10/14/02			A 51940-022		2 of 4
sheet index		revision sheet									

Pro/E

cage code 22526

**PDM: Rev:A**

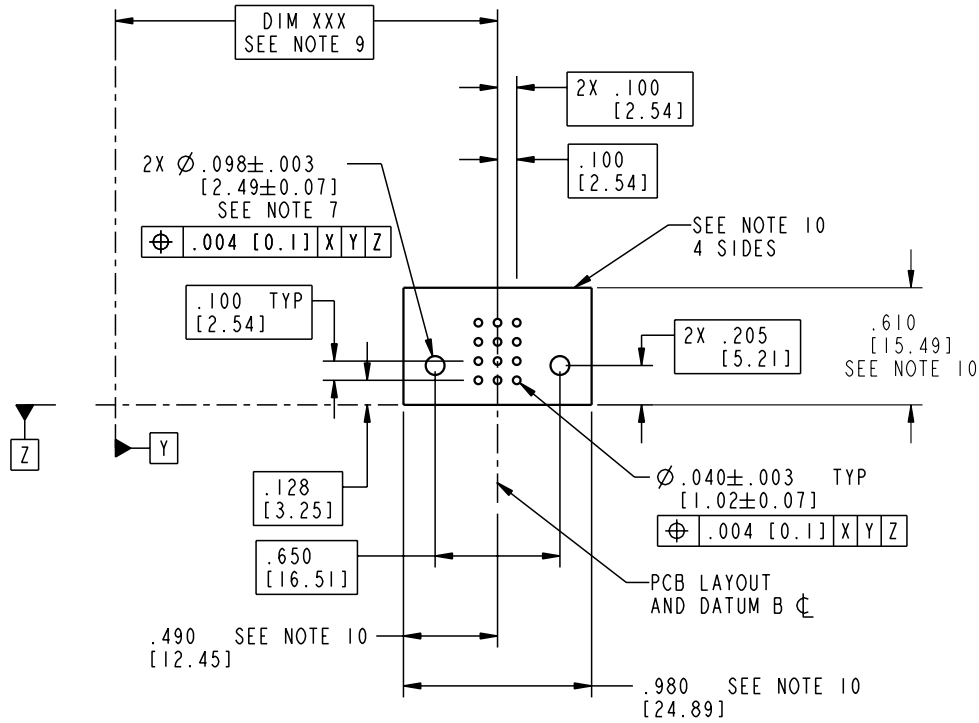
STATUS **Released**

Printed: Oct 08, 2006

Tous droits strictement reserves. Reproduction ou communication a des tiers interdite sous quelque forme que ce soit sans autorisation écrite du propriétaire. Propriete de c FCI. Droits de reproduction FCI.

All rights strictly reserved. Reproduction or issue to third parties in any form whatever is not permitted without written authority from the proprietor. Property of FCI. Copyright FCI.

PRODUCT NUMBER  
51940-022



mat'l code				SEE NOTE 2		tolerances unless otherwise specified		CUSTOMER		 www.fciconnect.com	
ltr	ecr no.	dr	date	linear	.XX ± .01/0.X ± 0.3	projection	COPY		title		
A				angles	.XXX ± .005/0.XXX ± 0.13				12S		
				dr	.XXX ± .0020/0.XXX ± 0.051		INCH/MM		VERTICAL PRESS-FIT RECEPT		
				enr	0° ± 2°	scale		product family		code	
				chr	T. BRUNGARD 10/14/02	1:1		PwrBlade		213	
				appd	M. MOSTOLLER 10/14/02			size		sheet	
					M. MOSTOLLER 10/14/02			A		3 of 4	
sheet index		revision sheet									

Pro/E

cage code 22526

PDM: Rev:A

STATUS: Released

Printed: Oct 08, 2006

Tous droits strictement réservés. Reproduction ou communication o des tiers interdite sous quelque forme que ce soit sans autorisation écrite du propriétaire. Propriété de c FCI. Droits de reproduction FCI.



All rights strictly reserved. Reproduction or issue to third parties in any form, whenever is not permitted without written authority from the proprietor. Property of FCI. Copyright FCI.

PRODUCT NUMBER  
51940-022

NOTES:

1. DIMENSIONS AND TOLERANCES ARE IN ACCORDANCE WITH ASME Y14.5M, 1994 UNLESS OTHERWISE SPECIFIED.

CONNECTOR NOTES:

- ② HOUSING MATERIAL: UL 94 V-0 GLASS FILLED  
HIGH-TEMP THERMOPLASTIC  
POWER CONTACT MATERIAL: COPPER ALLOY  
SIGNAL PIN MATERIAL: COPPER ALLOY
- 3. PLATING:  
SIGNAL PINS: 30u"/0.76um Au OVER 50u"/1.27um Ni  
POWER CONTACTS: 50u"/1.27um Ni UNDER ALL  
WITH 30u"/0.76um Au ON CONTACT AREA  
AND SnPb ON PCB INTERFACE

④ MANUFACTURER'S NAME, P/N, AND DATE CODE TO APPEAR ON THIS SURFACE.

5. PRODUCT SPECIFICATION GS-12-149.  
APPLICATION SPECIFICATION BUS-20-067.

PCB NOTES:

- 6. ALL HOLE DIAMETERS ARE FINISHED HOLE SIZE.
- 7. MOUNTING HOLES, WHERE APPLICABLE, ARE UNPLATED.

⑧  $\varnothing .0453 \pm .0010$  [1.151 ± 0.025] DRILLED HOLES PLATED WITH .0003 [0.008] MIN SnPb OVER .001 [0.03] TO .003 [0.08] Cu PLATING TO ACHIEVE  $\varnothing .040 \pm .003$  [1.02 ± .07] HOLE.

⑨ "DIM XXX" TO BE DETERMINED BY THE CUSTOMER.

⑩ CONNECTOR KEEP-OUT ZONE.

mat'l code				SEE NOTE 2		tolerances unless otherwise specified		CUSTOMER		www.fciconnect.com	
ltr	ecr no.	dr	date	linear	.XX±.01/0.X±0.3		COPY				
A					.XXX±.005/0.XX±0.13		INCH/MM				
				angles	.XXX±.0020/0.XXX±0.051		scale		title 12S VERTICAL PRESS-FIT RECEPT product family PwrBlade code 213 size dwg no 51940-022 sheet 4 of 4		
				dr	T. BRUNGARD	10/14/02	1:1				
				enr	M. MOSTOLLER	10/14/02					
				chr	M. MOSTOLLER	10/14/02					
				appd	M. MOSTOLLER	10/14/02					
sheet index	revision sheet										

1 | 2

Pro/E

3 |

cage code 22526

4