



Chipsmall Limited consists of a professional team with an average of over 10 year of expertise in the distribution of electronic components. Based in Hongkong, we have already established firm and mutual-benefit business relationships with customers from,Europe,America and south Asia,supplying obsolete and hard-to-find components to meet their specific needs.

With the principle of "Quality Parts,Customers Priority,Honest Operation,and Considerate Service",our business mainly focus on the distribution of electronic components. Line cards we deal with include Microchip,ALPS,ROHM,Xilinx,Pulse,ON,Everlight and Freescale. Main products comprise IC,Modules,Potentiometer,IC Socket,Relay,Connector.Our parts cover such applications as commercial,industrial, and automotives areas.

We are looking forward to setting up business relationship with you and hope to provide you with the best service and solution. Let us make a better world for our industry!



Contact us

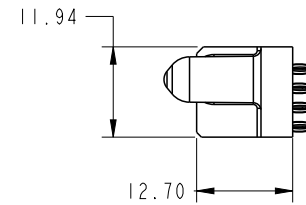
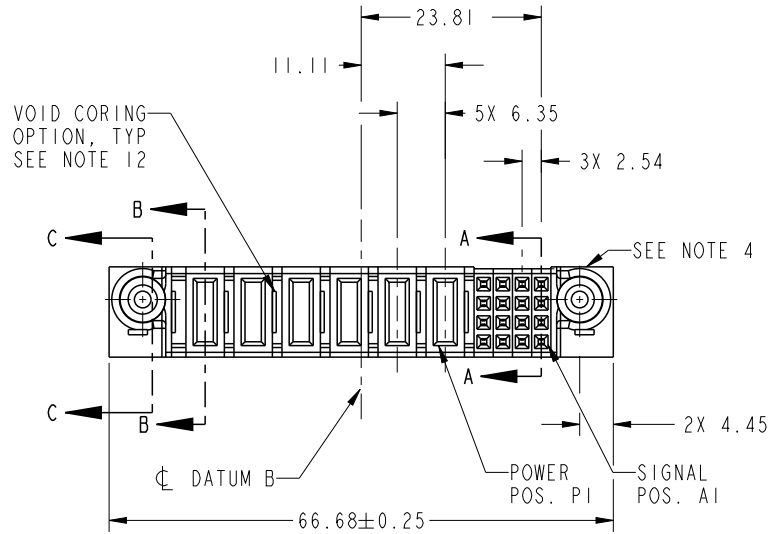
Tel: +86-755-8981 8866 Fax: +86-755-8427 6832

Email & Skype: info@chipsmall.com Web: www.chipsmall.com

Address: A1208, Overseas Decoration Building, #122 Zhenhua RD., Futian, Shenzhen, China



PRODUCT NO. 51940-401-- NOTE: 3	ROWS D C B A	POWER						SIGNAL				E1	
		E2	P6	P5	P4	P3	P2	P1	4	3	2		1
			PF	X	PF	X	PC	X	F	F	F	F	
									F	F	F	F	
									F	F	F	F	
									F	F	F	F	

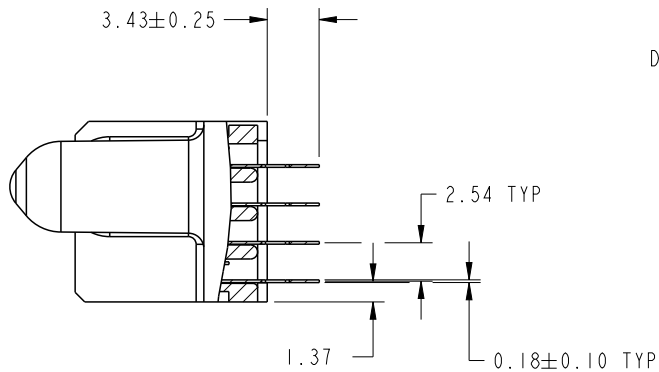


CODE	DIM "M" MATING LENGTH	CONTACT TYPE
PF	[2.34]	POWER
F	[N/A]	SIGNAL
PC	[1.07]	POWER
X	OMITTED	OMITTED

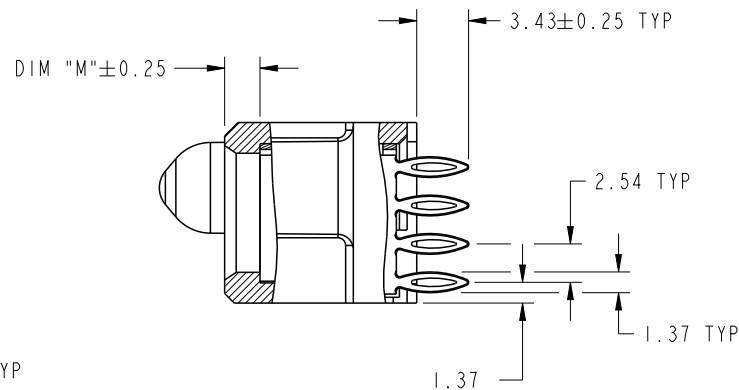
spec ref	*	dr	X Q Wang	2011/08/31	projection	MM	size	A4	scale	1:1					
tolerance std	SEE NOTE	eng	X Q Wang	2011/10/09			ecn no	-	rel level	Released					
TOLERANCES UNLESS OTHERWISE SPECIFIED		chr	-	-											
surface	✓	appr	Pei-Ming Zheng	2011/10/10	product family	PwrBlade									
	linear					title	16 S + 6 P	www.fci.com	cat. no.	*	Product - Customer Drw	dwg no	51940-401	rev	A
		0.X	±0.5												
		0.XX	±0.25												
	angular	0°	±2°												

PRODUCT NUMBER

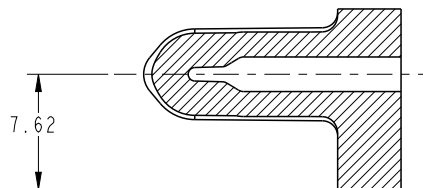
51940-401--
NOTE: 3



SECTION A-A
SCALE 2:1



SECTION B-B
SCALE 2:1

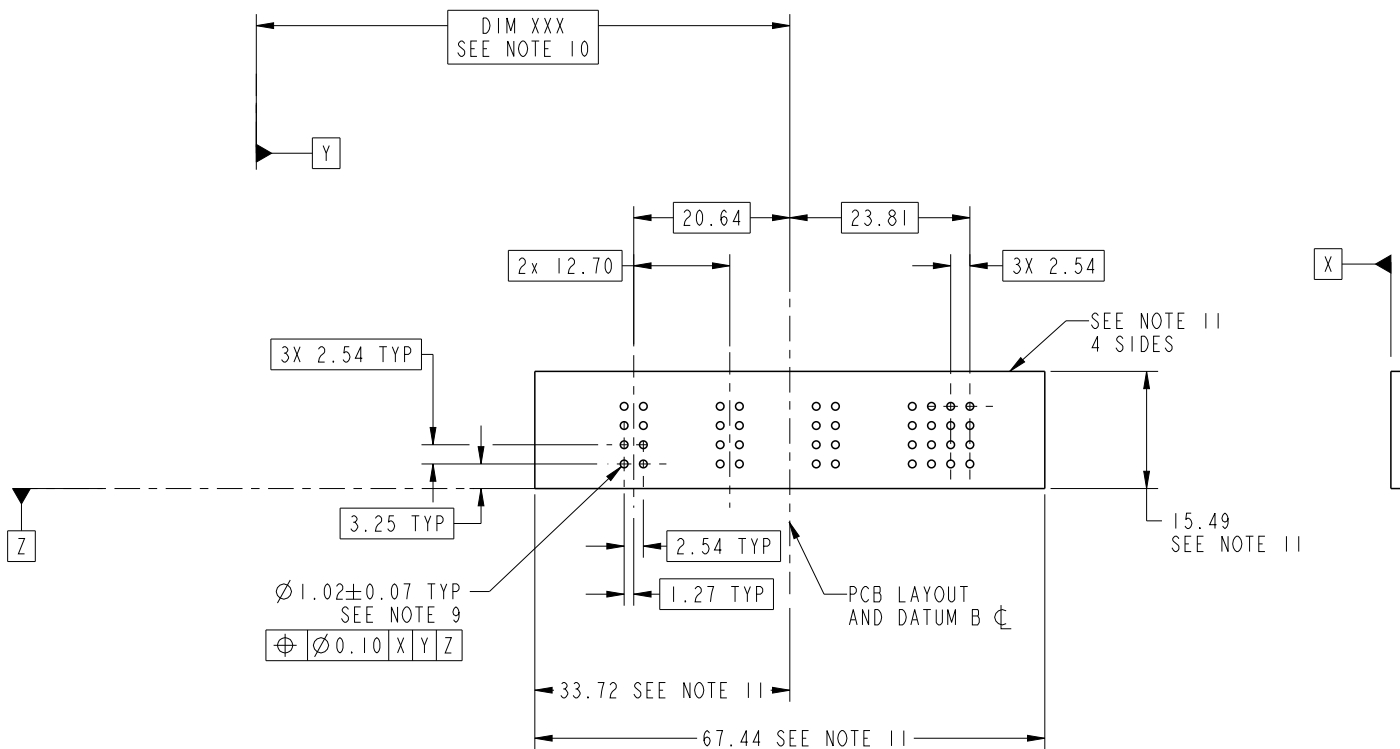


SECTION C-C
SCALE 2:1

spec ref *		dr X Q Wang 2011/08/31		projection 	MM 	size A4	scale 1:1
tolerance std SEE NOTE		eng X Q Wang 2011/10/09				ecn no -	
TOLERANCES UNLESS OTHERWISE SPECIFIED		chr -				rel level Released	
appr Pei-Ming Zheng 2011/10/10		product family PwrBlade		rev A		51940-401	
surface	linear	0.X	±0.5		title 16 S + 6 P VERTICAL PRESS-FIT RECEPT	www.fci.com	cat. no. *
		0.XX	±0.25				
		0.XXX	±0.1				
angular	0°	±2°	Product - Customer Drw		sheet 2 of 4		

PRODUCT NUMBER

51940-401--
NOTE: 3



RECOMMENDED PCB LAYOUT

spec ref	*	dr	X Q Wang	2011/08/31	projection	MM	size	A4	scale	1:1	
tolerance std	TOLERANCES UNLESS OTHERWISE SPECIFIED	eng	X Q Wang	2011/10/09				ecn no	-	rel level	Released
SEE NOTE		chr	-	-							
surface		appr	Pei-Ming Zheng	2011/10/10	product family	PwrBlade					
linear		0.X	±0.5		title 16 S + 6 P VERTICAL PRESS-FIT RECEPT	dwg no 51940-401	rev A				
	0.XX	±0.25									
	0.XXX	±0.1									
angular	0°	±2°	www.fci.com	cat. no.	*	Product - Customer Drw	sheet 3 of 4				

PRODUCT NUMBER

51940-401--
NOTE: 3

NOTES:

1. DIMENSIONS AND TOLERANCES ARE IN ACCORDANCE WITH ASME Y14.5M, 1994 UNLESS OTHERWISE SPECIFIED.

CONNECTOR NOTES:

- 2 HOUSING MATERIAL: UL 94 V-0 GLASS FILLED HIGH-TEMP THERMOPLASTIC
POWER CONTACT MATERIAL: COPPER ALLOY
SIGNAL PIN MATERIAL: COPPER ALLOY
- 3. SEE ITEM 7 & 8 IN PRINT 10064183 FOR PLATING SPEC OF 51940-401 AND 51940-401LF RESPECTIVELY.
- 4 MANUFACTURER'S NAME, DATE CODE AND OPTIONAL P/N TO APPEAR ON THIS SURFACE. THE P/N CAN BE OMITTED IF THERE IS NOT ENOUGH SPACE ON THIS SURFACE.
- 5. PRODUCT SPECIFICATION GS-12-149.
APPLICATION SPECIFICATION BUS-20-067.
- 6. PACKAGED IN TRAYS.
- PCB NOTES:
- 7. ALL HOLE DIAMETERS ARE FINISHED HOLE SIZE.
- 8 MOUNTING HOLES, WHERE APPLICABLE, ARE UNPLATED.
- 9 $\varnothing 1.151 \pm 0.025$ DRILLED HOLES PLATED WITH
0.008 MIN SnPb OR Sn OVER 0.03
TO 0.08 Cu PLATING TO ACHIEVE
 $\varnothing 1.02 \pm 0.07$ HOLE.
- 10 "DIM XXX" TO BE DETERMINED BY THE CUSTOMER.
- 11 CONNECTOR KEEP-OUT ZONE.
- 12. THE VOID CORING IN BETWEEN POWER MODULES, SIGNAL MODULES AND END MODULES ARE OPTIONAL AND THE SHAPE MAY BE DIFFERENT FOR OPTIMIZE THE MOLDING PROCESS. THE VOID CORING WILL NOT EFFECT TO PRODUCT FUNCTION.



Copyright FCI.

spec ref *		dr	X Q Wang	2011/08/31	projection 	MM 	size	A4	scale	1:1
tolerance std SEE NOTE	TOLERANCES UNLESS OTHERWISE SPECIFIED	eng	X Q Wang	2011/10/09			ecn no	-		
		chr	-	-						
surface <input checked="" type="checkbox"/>	linear	appr	Pei-Ming Zheng	2011/10/10	product family	PwrBlade	rel level	Released		
		0.X	± 0.5		title	16 S + 6 P	dwg no	51940-401	rev	A
		0.XX	± 0.25							
0.XXX	± 0.1									
angular	0°	$\pm 2°$	www.fci.com	cat. no.	*	Product - Customer Drw	sheet 4 of 4			