



Chipsmall Limited consists of a professional team with an average of over 10 year of expertise in the distribution of electronic components. Based in Hongkong, we have already established firm and mutual-benefit business relationships with customers from,Europe,America and south Asia,supplying obsolete and hard-to-find components to meet their specific needs.

With the principle of “Quality Parts,Customers Priority,Honest Operation,and Considerate Service”,our business mainly focus on the distribution of electronic components. Line cards we deal with include Microchip,ALPS,ROHM,Xilinx,Pulse,ON,Everlight and Freescale. Main products comprise IC,Modules,Potentiometer,IC Socket,Relay,Connector.Our parts cover such applications as commercial,industrial, and automotives areas.

We are looking forward to setting up business relationship with you and hope to provide you with the best service and solution. Let us make a better world for our industry!



Contact us

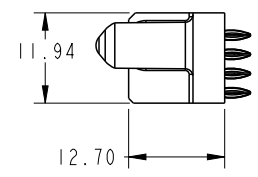
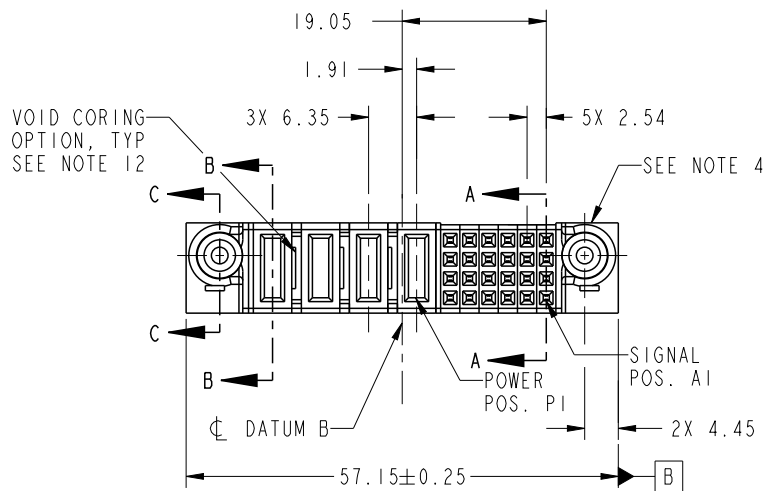
Tel: +86-755-8981 8866 Fax: +86-755-8427 6832

Email & Skype: info@chipsmall.com Web: www.chipsmall.com

Address: A1208, Overseas Decoration Building, #122 Zhenhua RD., Futian, Shenzhen, China



PRODUCT NO.	ROWS	POWER				SIGNAL							
51940-425-- NOTE: 3	D C B A	E2	P4	P3	P2	P1	6	5	4	3	2	1	E1
			PF	PF	PC	PC	F	F	F	F	F	F	

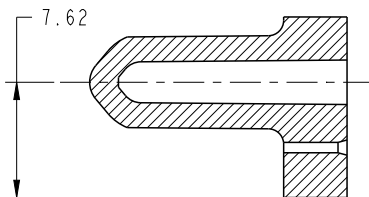
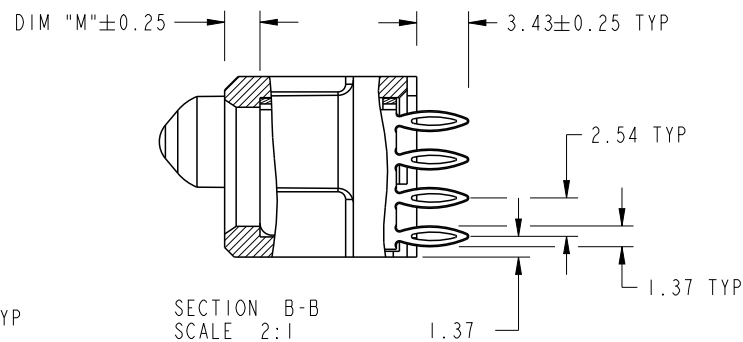
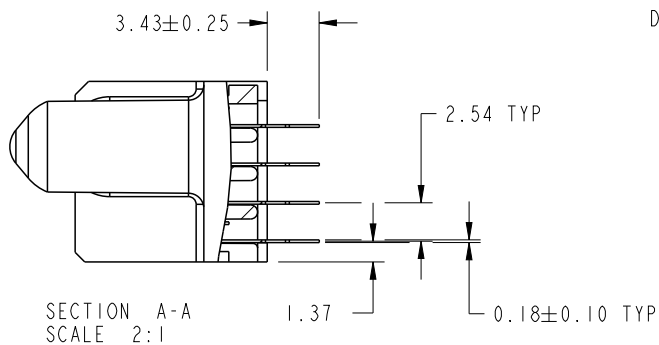


CODE	DIM "M" MATING LENGTH	CONTACT TYPE
PF	[2.34]	POWER
PC	[1.07]	POWER
F	[N/A]	SIGNAL

spec ref	*	dr	Shi Guang	2012/03/31	projection	MM	size	A4	scale	1:1
tolerance std	TOLERANCES UNLESS OTHERWISE SPECIFIED	eng	Luo Weller	2013/02/27			ecn no	-		
SEE NOTE		chr	-	-	product family		PwrBlade	rel level	Released	
surface	linear	0.X	±0.5		title	24S + 4P	dwg no	51940-425	rev	A
		0.XX	±0.25							
		0.XXX	±0.1							
	angular	0°	±2°	www.fci.com	cat. no.	*	Product - Customer Drw	sheet 1 of 4		

PRODUCT NUMBER

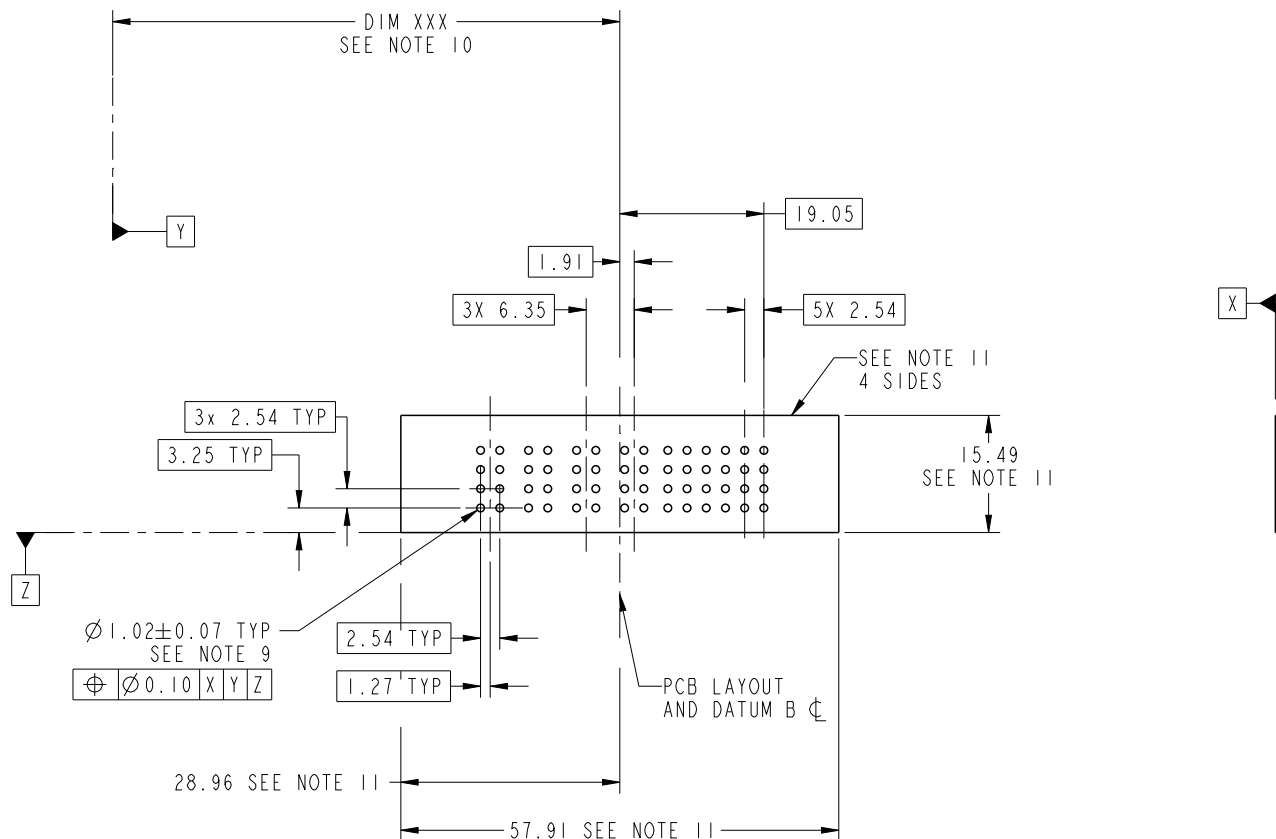
51940-425__
NOTE: 3



dr	Shi Guang	2012/03/31	projection 	MM 	size	A4	scale	1:1
eng	Luo Weller	2013/02/27			ecn no	-		
chr	-	-			rel level	Released		
appr	Pei-Ming Zheng	2013/02/27	product family	PwrBlade	rev	A		
	title	24S + 4P VERTICAL PRESS FIT RECEIPT		dwg no	51940-425			
www.fci.com	cat. no.	*	Product - Customer Drw		sheet 2 of 4			

PRODUCT NUMBER

51940-425__
NOTE: 3



RECOMMENDED PCB LAYOUT

dr	Shi Guang	2012/03/31	projection 	MM 	size	A4	scale	1:1
eng	Luo Weller	2013/02/27			ecn no	-		
chr	-	-			rel level	Released		
appr	Pei-Ming Zheng	2013/02/27	product family	PwrBlade	rev	A		
	title	24S + 4P		dwg no	51940-425			
www.fci.com	cat. no.	*	Product - Customer Drw		sheet 3 of 4			
			VERTICAL PRESS FIT RECEPT					

PRODUCT NUMBER

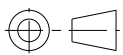
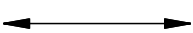
51940-425__
NOTE: 3

NOTES:

1. DIMENSIONS AND TOLERANCES ARE IN ACCORDANCE WITH ASME Y14.5M, 1994 UNLESS OTHERWISE SPECIFIED.

CONNECTOR NOTES:

- ② HOUSING MATERIAL: UL 94 V-0 GLASS FILLED HIGH-TEMP THERMOPLASTIC
POWER CONTACT MATERIAL: COPPER ALLOY
SIGNAL PIN MATERIAL: COPPER ALLOY
- 3. SEE ITEM 7 & 8 IN PRINT 10064183 FOR PLATING SPEC OF 51940-425 AND 51940-425LF RESPECTIVELY.
- ④ MANUFACTURER'S NAME, DATE CODE AND OPTIONAL P/N TO APPEAR ON THIS SURFACE. THE P/N CAN BE OMITTED IF THERE IS NOT ENOUGH SPACE ON THIS SURFACE.
- 5. PRODUCT SPECIFICATION GS-12-149.
APPLICATION SPECIFICATION BUS-20-067.
- 6. PACKAGED IN TRAYS.
- PCB NOTES:
- 7. ALL HOLE DIAMETERS ARE FINISHED HOLE SIZE.
- ⑧ MOUNTING HOLES, WHERE APPLICABLE, ARE UNPLATED.
- ⑨ $\varnothing 1.151 \pm 0.025$ DRILLED HOLES PLATED WITH
0.008 MIN SnPb OR Sn OVER 0.03
TO 0.08 Cu PLATING TO ACHIEVE
 $\varnothing 1.02 \pm 0.07$ HOLE.
- ⑩ "DIM XXX" TO BE DETERMINED BY THE CUSTOMER.
- ⑪ CONNECTOR KEEP-OUT ZONE.
- 12. THE VOID CORING IN BETWEEN POWER MODULES, SIGNAL MODULES AND END MODULES ARE OPTIONAL AND THE SHAPE MAY BE DIFFERENT FOR OPTIMIZE THE MOLDING PROCESS. THE VOID CORING WILL NOT EFFECT TO PRODUCT FUNCTION.

dr	Shi Guang	2012/03/31	projection 	MM 	size	A4	scale	1:1		
eng	Luo Weller	2013/02/27			ecn no	-				
chr	-	-			product family	PwrBlade	rel level	Released		
appr	Pei-Ming Zheng	2013/02/27	FCj		title	24S + 4P	dwg no	51940-425	rev	A
www.fci.com		cat. no.	*	Product - Customer Drw			sheet 4 of 4			