



Chipsmall Limited consists of a professional team with an average of over 10 year of expertise in the distribution of electronic components. Based in Hongkong, we have already established firm and mutual-benefit business relationships with customers from,Europe,America and south Asia,supplying obsolete and hard-to-find components to meet their specific needs.

With the principle of “Quality Parts,Customers Priority,Honest Operation,and Considerate Service”,our business mainly focus on the distribution of electronic components. Line cards we deal with include Microchip,ALPS,ROHM,Xilinx,Pulse,ON,Everlight and Freescale. Main products comprise IC,Modules,Potentiometer,IC Socket,Relay,Connector.Our parts cover such applications as commercial,industrial, and automotives areas.

We are looking forward to setting up business relationship with you and hope to provide you with the best service and solution. Let us make a better world for our industry!



Contact us

Tel: +86-755-8981 8866 Fax: +86-755-8427 6832

Email & Skype: info@chipsmall.com Web: www.chipsmall.com

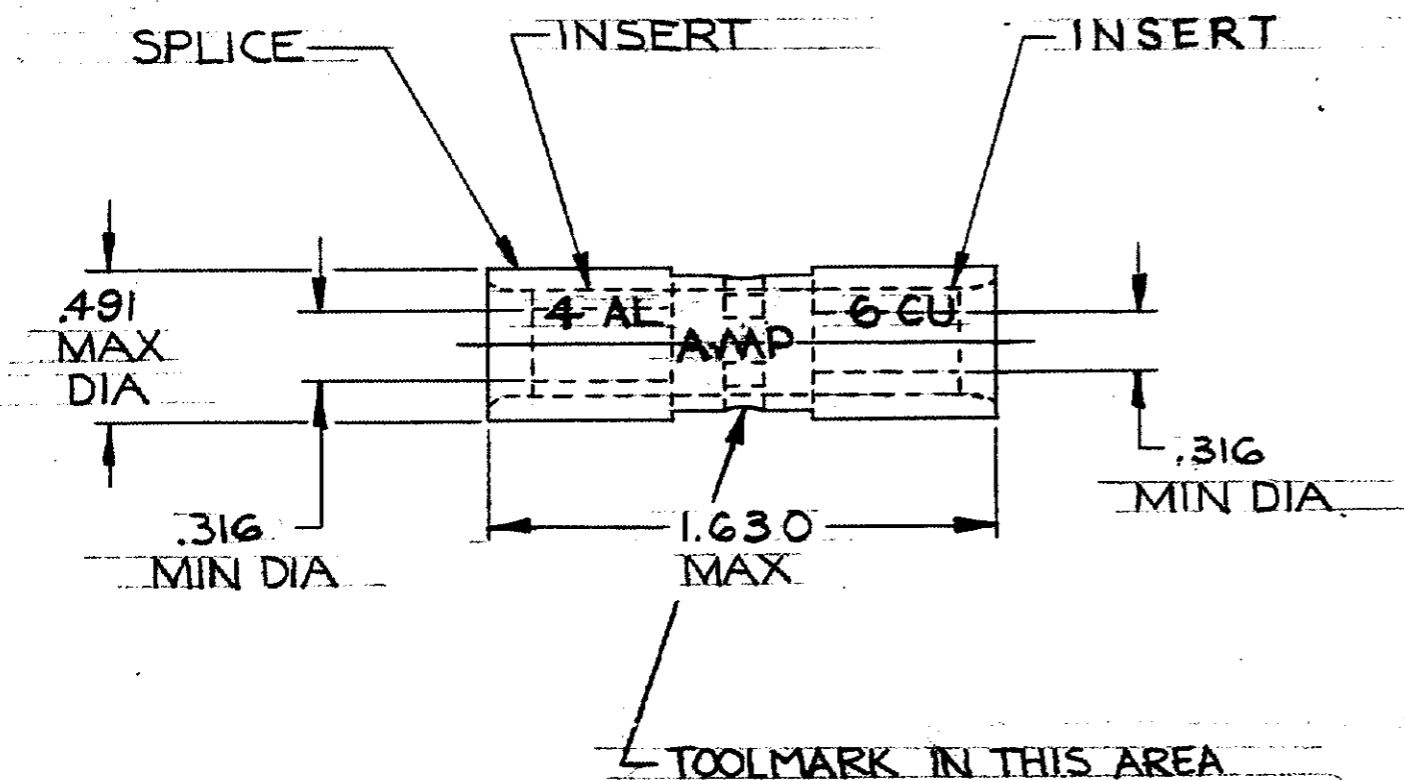
Address: A1208, Overseas Decoration Building, #122 Zhenhua RD., Futian, Shenzhen, China



©1968 BY AMP INCORPORATED. ALL RIGHTS RESERVED. AMP PRODUCTS COVERED BY PATENTS AND/OR PATENTS PENDING.

Unpublished copy not to be reproduced without written permission of AMP Incorporated.

REVISIONS				
ZONE	LTR	DESCRIPTION	DATE	APPROVED
	0	NPS 67-0579 (REV 3)	7-1-68	RHW
	A	REV TITLE PER ECN PC-5545	12-6-68	RHW
	B	REMOVED ENGINEERING CONT. P-6288 REVISED P-6293	4-17-70	FCY
	C	REVISED PER ECN P-6489	3-18-71	FCY
	D	REV PER G-5318	10/25/87	WSV



WIRE SPLICE		51942	INSERT: BRASS (MIL-C-50) TIN PL (MIL-T-10727) .0003 MIN EXT THK SPLICE: COPPER (QQ-C576) TIN PL (MIL-T-10727)
QTY	DESCRIPTION	PART NO.	MATERIAL & FINISH
UNLESS OTHERWISE SPECIFIED DIM. ARE IN INCHES. TOLERANCES ON: DECIMALS ± .008 ANGLES ± 5°		CONTRACT NO. #	AMP INCORPORATED HARRISBURG, PENNSYLVANIA
MATERIAL SEE TABLE		DR: <i>R. Chappell</i> 6-27-68 CHK: <i>R. Wolfe</i> 7-1-68 APPD: <i>Swabel</i> 7-2-69	
HEAT TREAT #		DSGN APPD	NAME: WIRE SPLICE COPALUM-STRANDED/SOLID WIRE SIZE: 4 TO 6
FINISH SEE TABLE		OTHER APPD	SIZE: B CODE IDENT NO: 00779 NUMBER: 51942
LOC: G-86	PRINT DATE: S		SCALE: 2:1 WT CALC ACTUAL SHEET 1 OF 1