



Chipsmall Limited consists of a professional team with an average of over 10 year of expertise in the distribution of electronic components. Based in Hongkong, we have already established firm and mutual-benefit business relationships with customers from,Europe,America and south Asia,supplying obsolete and hard-to-find components to meet their specific needs.

With the principle of "Quality Parts,Customers Priority,Honest Operation,and Considerate Service",our business mainly focus on the distribution of electronic components. Line cards we deal with include Microchip,ALPS,ROHM,Xilinx,Pulse,ON,Everlight and Freescale. Main products comprise IC,Modules,Potentiometer,IC Socket,Relay,Connector.Our parts cover such applications as commercial,industrial, and automotives areas.

We are looking forward to setting up business relationship with you and hope to provide you with the best service and solution. Let us make a better world for our industry!



Contact us

Tel: +86-755-8981 8866 Fax: +86-755-8427 6832

Email & Skype: info@chipsmall.com Web: www.chipsmall.com

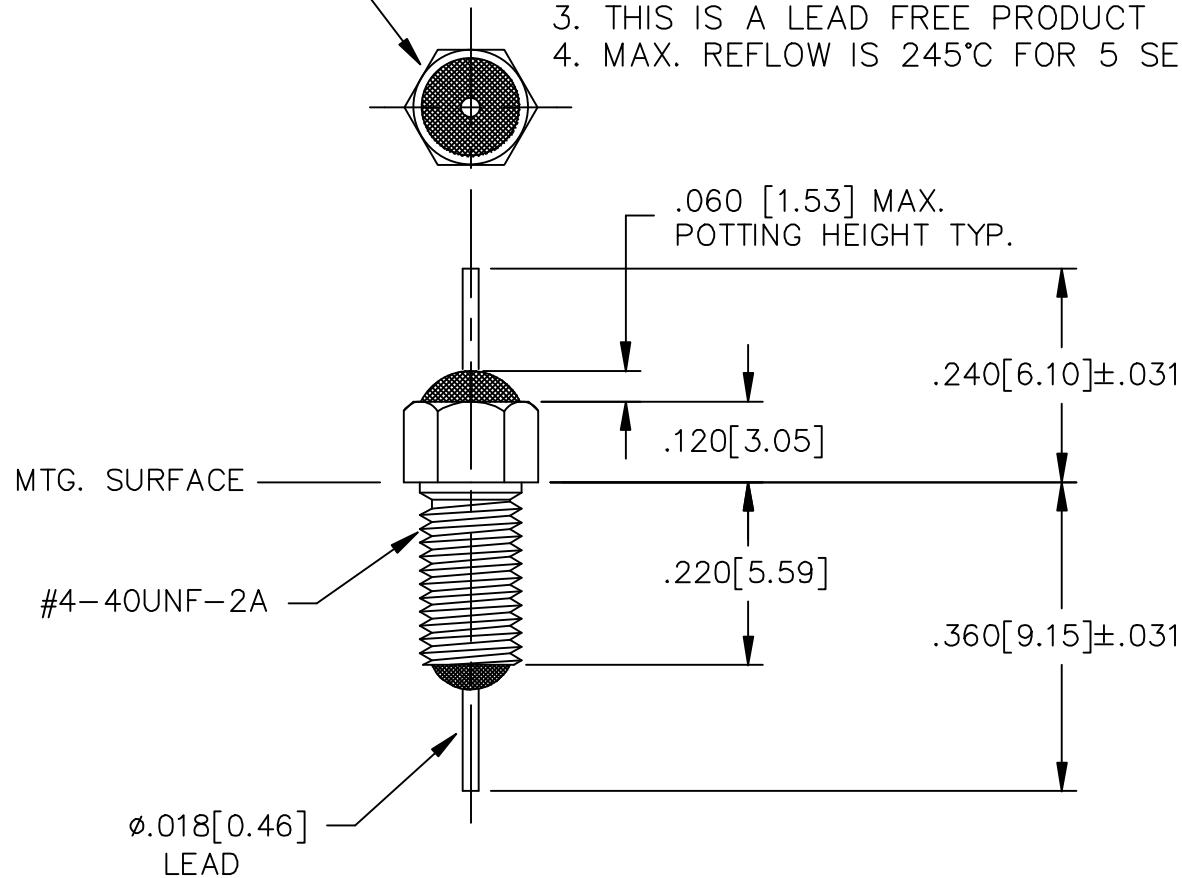
Address: A1208, Overseas Decoration Building, #122 Zhenhua RD., Futian, Shenzhen, China



.156[3.97] HEX

NOTES:

1. MAX. MOUNTING TORQ. = 1.5lb-in.
2. HARDWARE IS INCLUDED.
3. THIS IS A LEAD FREE PRODUCT
4. MAX. REFLOW IS 245°C FOR 5 SECONDS

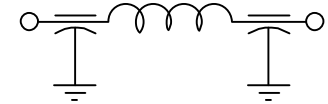


LEAD FINISH: SILVER	
BUSHING FINISH: SILVER	
CAPACITANCE	7000pF GMV
TEMP. RANGE	-55°C TO 125°C
CURRENT	5 AMP MAX.
WORKING VOLTAGE	85°C -- VDC MAX. 125°C 50 VDC MAX.
D.C. RESISTANCE	0.1ohms MAX.

MIN. I.L. PER MIL-STD-220 AT 25°C NO LOAD

FREQ. MHz	I.L. (db)
3	8
10	15
30	40
100	65
300	70
1 GHz	70

SCHEMATIC

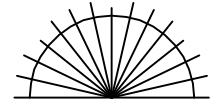


MARKING:

PART: SCIF312 (FAIRVIEW)
SCIF312M (MEXICO)

BAG:
51F-729-312
DATE CODE
QTY./BAG (50 MAX.)



	00	REV. NID.	TOLERANCES UNLESS OTHERWISE SPECIFIED	 SPECTRUM CONTROL INC.	FAIRVIEW PENNSYLVANIA	
	CN 32248-CPD	CHANGE NOTICE	Fractions ± 1/64		Dwn. KAUFFMAN	Description Pi
			Dec. .xx±		Date 1-2-07	RESIN SEAL FILTER
			Dec. .xxx± .005 [.13]		Engr. Struchen	
			Angles ±0° 30'		Scale NONE	51F-729-312
			CODE IDENT. NO. OLSP2			

