



Chipsmall Limited consists of a professional team with an average of over 10 year of expertise in the distribution of electronic components. Based in Hongkong, we have already established firm and mutual-benefit business relationships with customers from,Europe,America and south Asia,supplying obsolete and hard-to-find components to meet their specific needs.

With the principle of "Quality Parts,Customers Priority,Honest Operation,and Considerate Service",our business mainly focus on the distribution of electronic components. Line cards we deal with include Microchip,ALPS,ROHM,Xilinx,Pulse,ON,Everlight and Freescale. Main products comprise IC,Modules,Potentiometer,IC Socket,Relay,Connector.Our parts cover such applications as commercial,industrial, and automotives areas.

We are looking forward to setting up business relationship with you and hope to provide you with the best service and solution. Let us make a better world for our industry!



Contact us

Tel: +86-755-8981 8866 Fax: +86-755-8427 6832

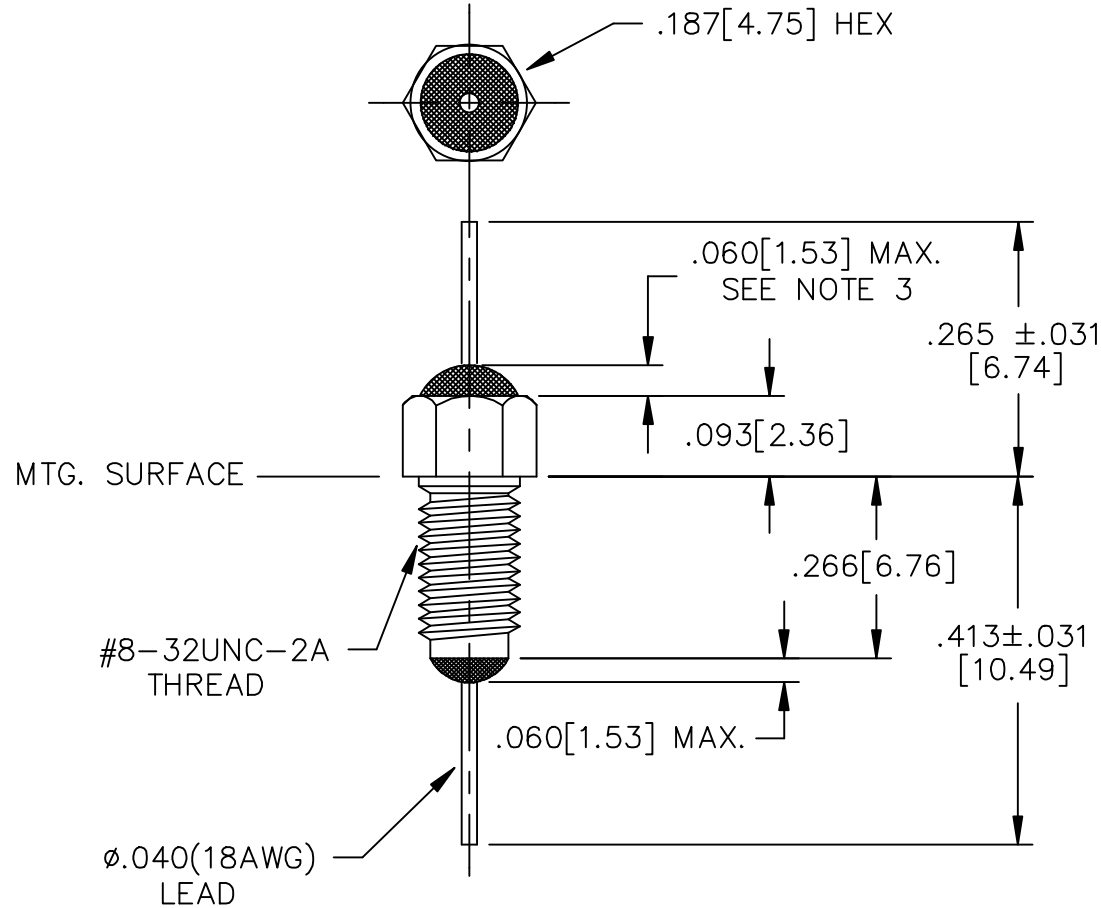
Email & Skype: info@chipsmall.com Web: www.chipsmall.com

Address: A1208, Overseas Decoration Building, #122 Zhenhua RD., Futian, Shenzhen, China



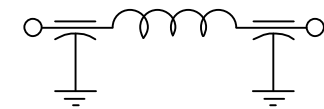
NOTES:

1. MAXIMUM MOUNTING TORQUE = 4lbs-in.
2. HARDWARE IS INCLUDED.
3. NO POTTING VOIDS ALLOWED.
4. THIS IS A LEAD FREE PRODUCT.
5. MAX REFLOW IS 245°C FOR 5 SEC.



LEAD FINISH: TIN/SILVER	
BUSHING FINISH: SILVER	
CAPACITANCE	5500pF +100/-0%
TEMP. RANGE	-55°C TO 125°C
CURRENT	10 AMP MAX.
WORKING VOLTAGE	85°C --- VDC MAX. 125°C 200 VDC MAX.
D.C. RESISTANCE	.01ohms MAX.
MIN. I.L. PER MIL-STD-220 AT 25°C NO LOAD	
FREQ. MHz	I.L. (db)
10	14
30	30
100	55
300	70
1 GHz	70

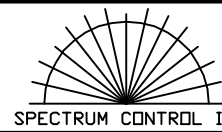
SCHEMATIC



MARKING:

PART: SF002

BAG:
SCI 51F-744-002
DATE CODE:
QTY./BAG (100 MAX.)

				02	01	00	REV. NO.	TOLERANCES UNLESS OTHERWISE SPECIFIED	 FAIRVIEW PENNSYLVANIA SPECTRUM CONTROL INC.
				CN 30515-CPD	CN 27340-CPD	CN 19021-CPD	CHANGE NOTICE	Fractions ± 1/64	
								Dec. .xx±	
								Dec. .xxx±.005	
								Angles ±0° 30'	
								CODE IDENT. NO. 0LSP2	Dwn. KNOWLTON
									DATE 10/02/06
									ENGR. D. REILLY
									NOT TO SCALE
									Description Pi RESIN SEAL FILTER 51F-744-002