



Chipsmall Limited consists of a professional team with an average of over 10 year of expertise in the distribution of electronic components. Based in Hongkong, we have already established firm and mutual-benefit business relationships with customers from,Europe,America and south Asia,supplying obsolete and hard-to-find components to meet their specific needs.

With the principle of “Quality Parts,Customers Priority,Honest Operation,and Considerate Service”,our business mainly focus on the distribution of electronic components. Line cards we deal with include Microchip,ALPS,ROHM,Xilinx,Pulse,ON,Everlight and Freescale. Main products comprise IC,Modules,Potentiometer,IC Socket,Relay,Connector.Our parts cover such applications as commercial,industrial, and automotives areas.

We are looking forward to setting up business relationship with you and hope to provide you with the best service and solution. Let us make a better world for our industry!



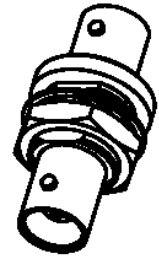
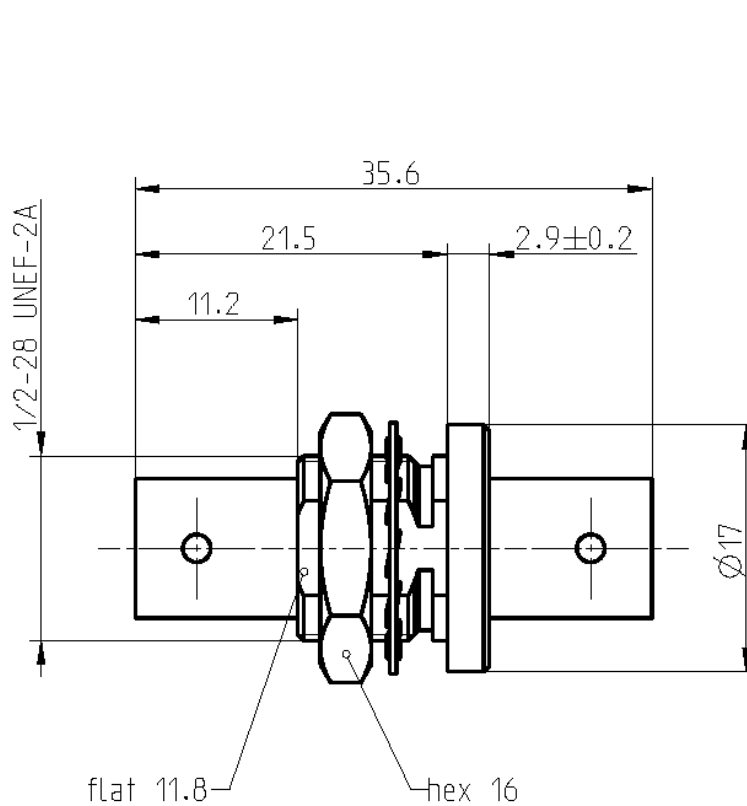
## Contact us

Tel: +86-755-8981 8866 Fax: +86-755-8427 6832

Email & Skype: info@chipsmall.com Web: www.chipsmall.com

Address: A1208, Overseas Decoration Building, #122 Zhenhua RD., Futian, Shenzhen, China





All dimensions are in mm; tolerances according to ISO 2768 m-H

**Interface**

According to IEC 61169-8

**Documents**

Panel piercing B 3

**Material and plating**

**Connector parts**

Center contact  
Outer contact  
Body  
Dielectric  
Isolating round flange

**Material**

CuNi1Pb1P (C97)  
Brass  
Brass  
PTFE  
POM

**Plating**

AuroDur®, gold plated  
Nickel, 2.5-5 µm  
Nickel, 2.5-5 µm

BNC 50 Ω

ADAPTOR  
JACK - JACK

**51K542-K00A5**

**Electrical data**

Impedance 50 Ω  
 Frequency DC to 10 GHz  
 Return loss ≥ 36 dB @ DC to 2 GHz  
 ≥ 29 dB @ 2 GHz to 3 GHz  
 Insertion loss ≤ 0.05 x √ f [GHz] dB, DC to 3 GHz  
 Insulation resistance ≥ 5 MΩ  
 Center contact resistance ≤ 20 mΩ  
 Outer contact resistance ≤ 5 mΩ  
 Test voltage (at sea level) 1500 V rms  
 Working voltage (at sea level) 400 V rms  
 Power handling (at 20 °C, sea level, VSWR 1.0) ≤ 80 W @ 2 GHz

**Mechanical data**

Mating cycles ≥ 500  
 Center contact captivation: axial ≥ 15 N

**Environmental data**

Temperature range -25 °C to +110 °C  
 Thermal shock MIL-STD-202, Method 107, Condition B  
 Corrosion resistance MIL-STD-202, Method 101, Condition B  
 Vibration MIL-STD-202, Method 204, Condition B  
 Shock MIL-STD-202, Method 213, Condition G  
 Moisture resistance MIL-STD-202, Method 106  
 RoHS compliant

**Tooling**

N/A

**Suitable cables**

N/A

**Weight**

Weight 14.2 g/pce

While the information has been carefully compiled to the best of our knowledge, nothing is intended as representation or warranty on our part and no statement herein shall be construed as recommendation to infringe existing patents. In the effort to improve our products, we reserve the right to make changes judged to be necessary.

Draft	Date	Approved	Date	Rev.	Engineering change number	Name	Date
Chr. Entfellner	10.07.08	Sa. Krautenbacher	17.03.14	g00	14-0352	T. Krojer	17.03.14

Rosenberger Hochfrequenztechnik GmbH & Co. KG  
 P.O.Box 1260 D-84526 Tittmoning Germany  
[www.rosenberger.de](http://www.rosenberger.de)

Tel. : +49 8684 18-0  
 Fax : +49 8684 18-499  
 Email : [info@rosenberger.de](mailto:info@rosenberger.de)

Page  
2 / 2