



Chipsmall Limited consists of a professional team with an average of over 10 year of expertise in the distribution of electronic components. Based in Hongkong, we have already established firm and mutual-benefit business relationships with customers from,Europe,America and south Asia,supplying obsolete and hard-to-find components to meet their specific needs.

With the principle of “Quality Parts,Customers Priority,Honest Operation,and Considerate Service”,our business mainly focus on the distribution of electronic components. Line cards we deal with include Microchip,ALPS,ROHM,Xilinx,Pulse,ON,Everlight and Freescale. Main products comprise IC,Modules,Potentiometer,IC Socket,Relay,Connector.Our parts cover such applications as commercial,industrial, and automotives areas.

We are looking forward to setting up business relationship with you and hope to provide you with the best service and solution. Let us make a better world for our industry!



## Contact us

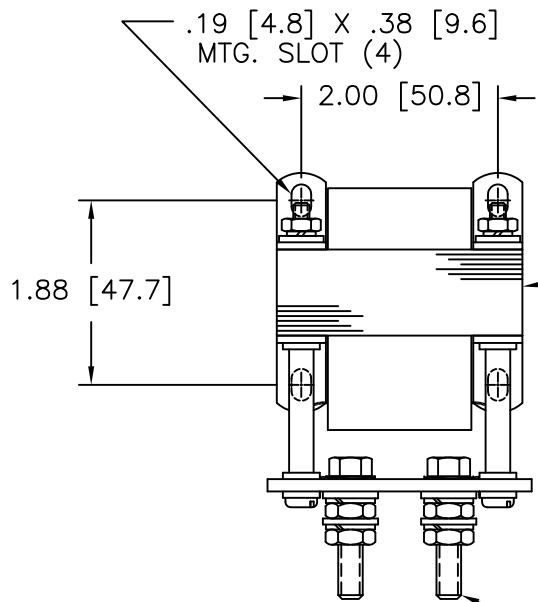
Tel: +86-755-8981 8866 Fax: +86-755-8427 6832

Email & Skype: info@chipsmall.com Web: www.chipsmall.com

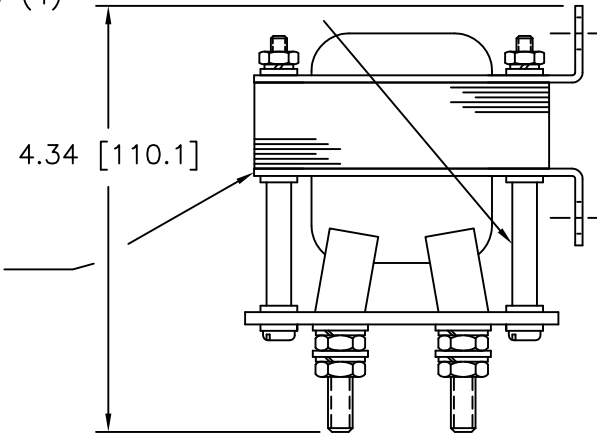
Address: A1208, Overseas Decoration Building, #122 Zhenhua RD., Futian, Shenzhen, China



DWG. NO.	850-0180		
DWG. SIZE	C		
REVISIONS			
SYL.	E.C.N.	DATE	APVD.
P	24803	4/10/02	REDRAWN TO CAD
R	24950	9/12/02	REVISED & UPDATED



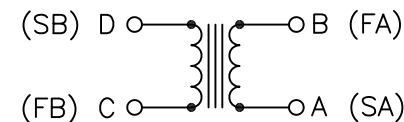
- 620-0908 SPACER (4)
- 596-0229-N6 #8-32 X 3 PHSMS (4)
- 732-0545-N6 #8 FWS (16)
- 732-0351-N6 #8 SLWS (4)
- 472-0101-N6 #8-32 HMSNS (4)



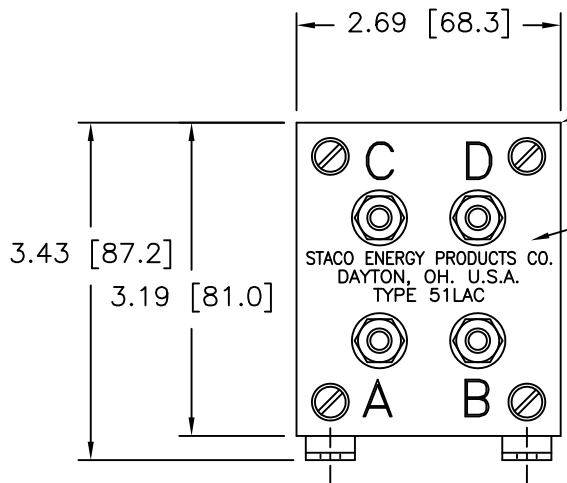
023-1488 CHOKE AS PUR.  
273-0234 AS MOD. - PROC.

657-0018-C7 BRACKET (4)

- 596-2145-N6 1/4-20 X 1-1/4 HHSMS (4)
- 472-0163-N6 1/4-20 HMSNS X .156 THK. (8)
- 732-0381-N6 1/4 SLWS (8)
- 732-0565-N6 #12 FWS (8)

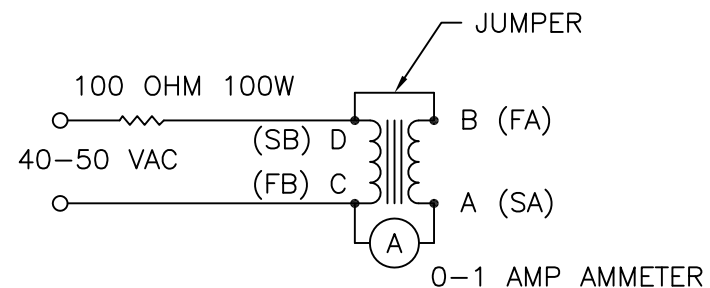


SCHEMATIC



682-0375 TERMINAL BOARD

639-1240 SCREEN



TEST CIRCUIT

READ APPROX. 0.2 AMPERES BETWEEN "C" AND "D" IF THE START AND FINISH OF EITHER WINDING IS REVERSED THE AMMETER WILL READ ZERO

UNLESS OTHERWISE SPECIFIED, TOLERANCE IS ±				UNITS IN [mm]	TITLE: <b>OUTLINE CHOKE</b> TYPE: 51LAC				 <small>A Components Corporation of America Company 302 Gaddis Boulevard Dayton, Ohio 45403 USA</small>	
DECIMALS	HOLES	ANGLES	DRAFT		DRAWN BY TIM RAU	DATE 4/10/02	FIRST USED ON	DO NOT SCALE DWG.		
.XX	.0005	.002	1° - 1-1/2°	MATERIAL:	CHECKER	DATE	WEIGHT APPROX.	CAGE CODE 83008	DWG. SIZE C	DWG. NO. 850-0180
ALL DIMENSIONS APPLY AFTER PLATING					ENGINEER	DATE	SCALE 1=1	SHEET 1 OF 1		
The information and design disclosed herein was originated by and is the property of STACO ENERGY PRODUCTS CO., which reserves all patent, proprietary, design, manufacturing, reproduction, use and sole rights there to, and to any article disclosed therein except to the extent rights are expressly granted to others. The foregoing does not apply to vendor proprietary parts.										